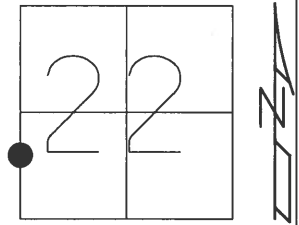


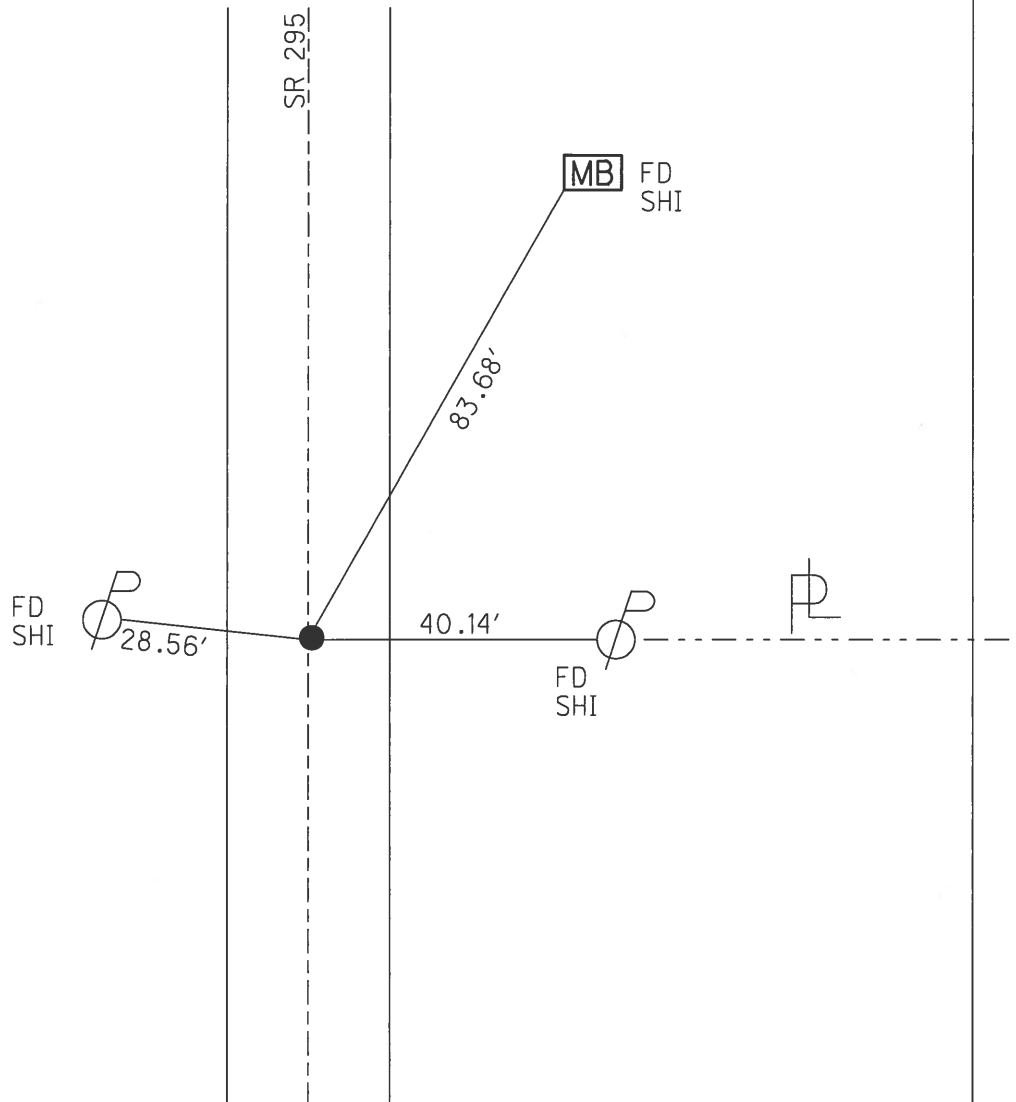
O.D.O.T. DISTRICT 2 SURVEY OFFICE (USE ONLY)

PERSONNEL _____ REFERENCE NO. 24 A SHEET 34 OF 45
 NOTES HOMAN DATE 9/9/02 ROUTE SR 295
 H.C. HOMAN WEATHER SUNNY COUNTY LUCAS
 R.C. BROWN TEMP. 88° TOWNSHIP SWANTON
 _____ SECTION 22
 _____ T 7 N R 9 E

TYPE MONUMENT P.K. NAIL
 ON SURFACE - ~~BELOW~~ _____ ON _____
~~LEFT~~ - C PAV'T - RIGHT .5'
11' TO LT EDGE PAVEMENT
 S.L.M. 422+36 @ 8 MILE MARKER
 GRID: NORTHING: 688967.566 EASTING: 1605867.610



RECORD:
 SET MAG/WASHER
 11/26/02, DCH
 FD MAG/WASHER
 REFA24
 6/20/16, JFO
 UNCOVERED
 7/17/17, JFO



O.D.O.T. DISTRICT 2 SURVEY OFFICE

PERSONNEL _____

REFERENCE NO. 24A

SHEET 34 OF 45

NOTES HOMAN

DATE 9-9-02

ROUTE S.R. 295

H.C. HOMAN

WEATHER SUNNY

COUNTY LUCAS

R.C. BROWN

TEMP. 88°

TOWNSHIP SWANTON

SECTION 22

T 7 N R 9 E

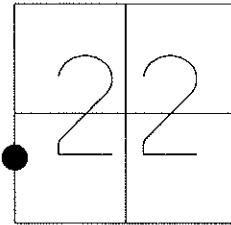
TYPE MONUMENT PK NAIL

ON SURFACE - ~~BELOW~~ ON

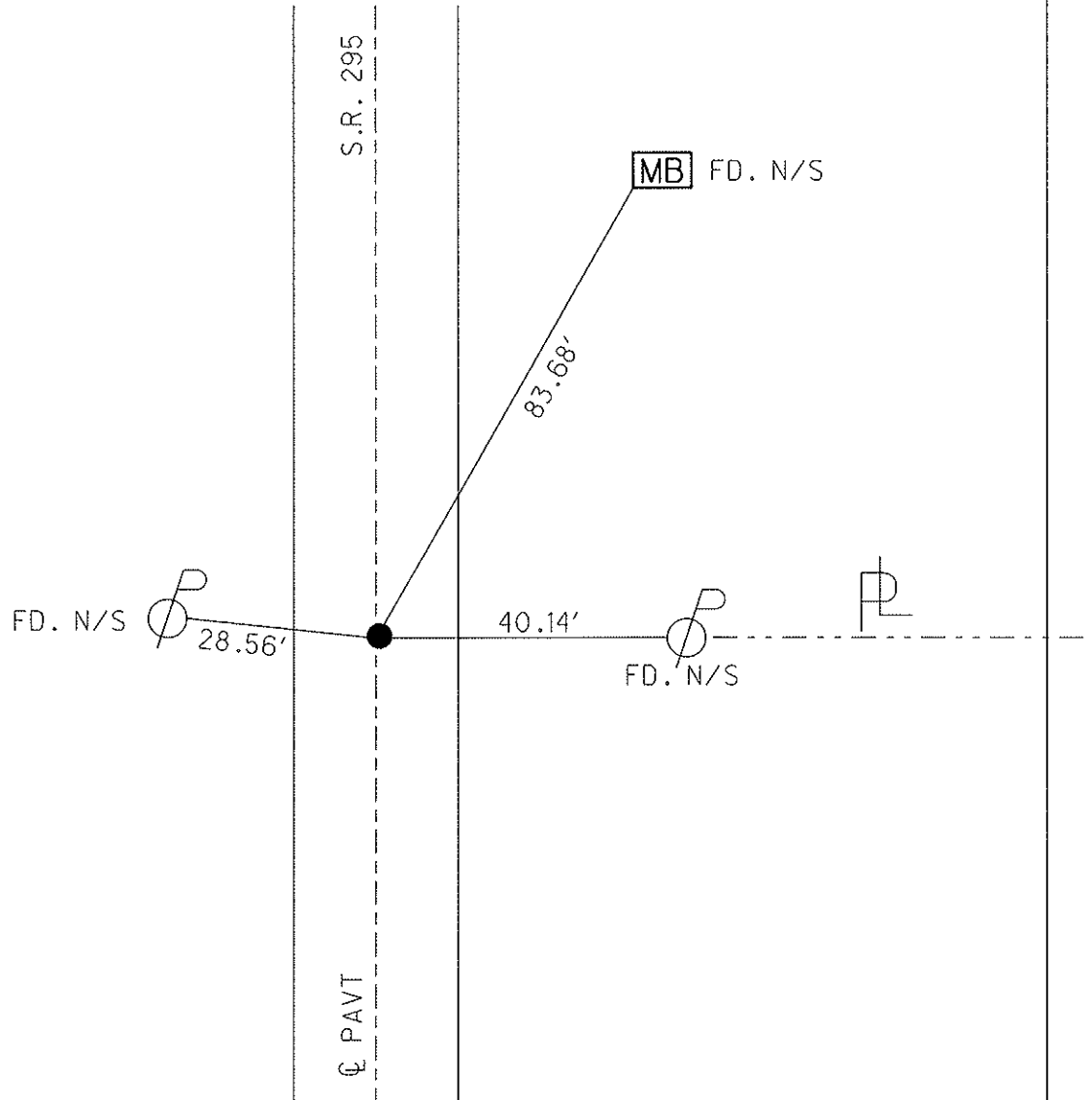
~~LEFT~~ - Q PAV'T - RIGHT .5'

11' TO LT. EDGE PAVEMENT

S.L.M. 422+36 @ 8 MILE MARKER



SET MAG/WASHER
DCH, 11-26-02



O.D.O.T. DISTRICT 2 SURVEY OFFICE

PERSONNEL

REFERENCE NO. 24A

SHEET 30 OF 40

NOTES HOMAN

DATE 9-9-02

ROUTE S.R. 295

H.C. HOMAN

WEATHER SUNNY

COUNTY LUCAS

R.C. BROWN

TEMP. 88

TOWNSHIP SWANTON

SECTION 22

T 7 N R 9 E

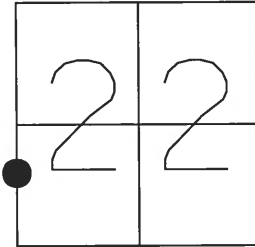
TYPE MONUMENT PK NAIL

ON SURFACE - ~~BELOW~~ YES

~~LEFT~~ - Q PAV'T - RIGHT .5'

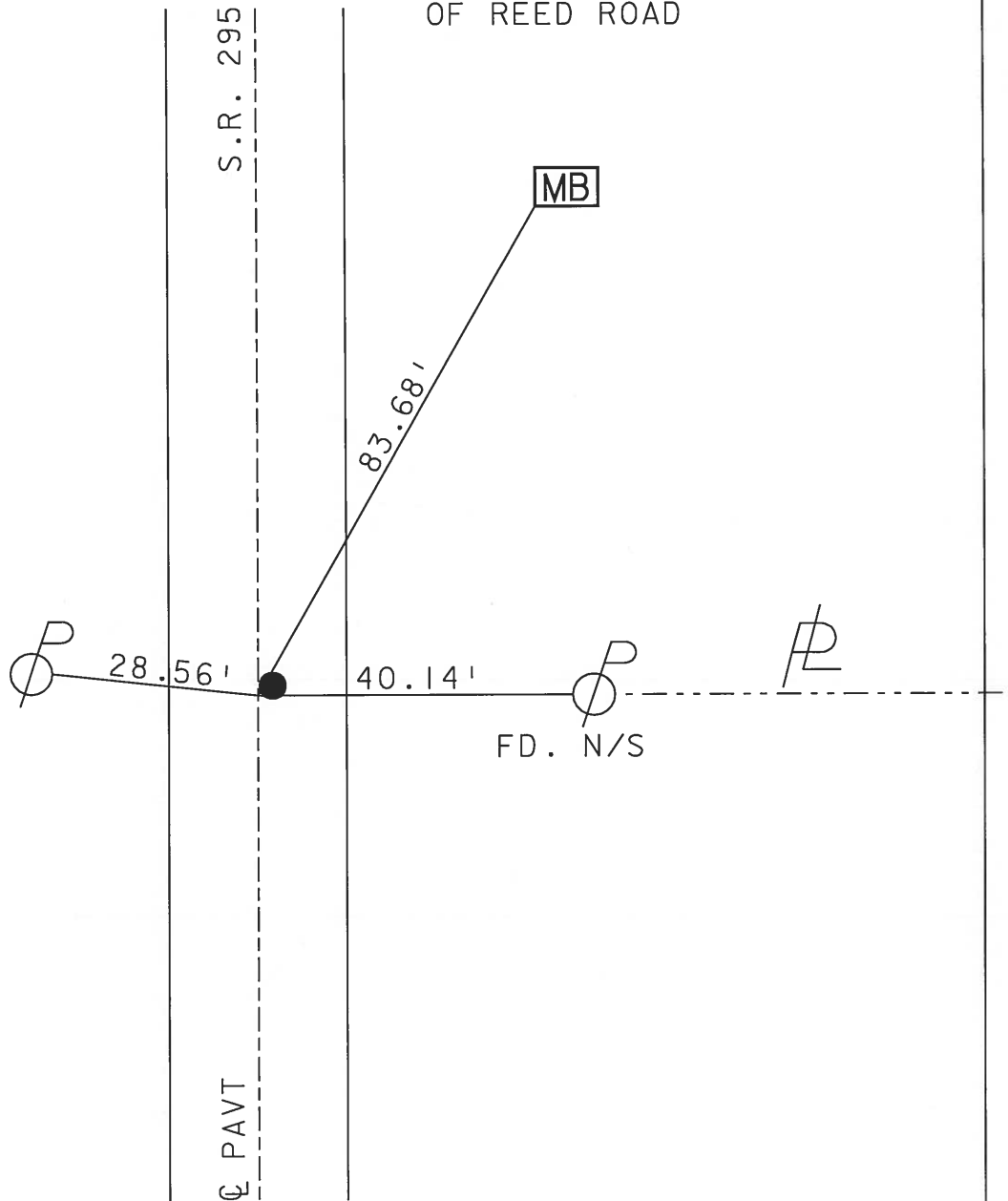
11' TO LT EDGE PAVEMENT

S.L.M. 422+36 @ 8 MILE MARKER



SET MAG NAIL
& WASHER
11-26-02
D.C.H.

300' +/- NORTH
OF REED ROAD



O.D.O.T. DISTRICT 2 SURVEY OFFICE

PERSONNEL _____

REFERENCE NO. 24-A

SHEET 26 OF 35

NOTES LOEHRKE

H.C. CURTIS

R.C. Luce

DATE 8-5-91

WEATHER Clear

TEMP. +72

ROUTE S.R. 295

COUNTY LUCAS

TOWNSHIP SWANTON

SECTION 22

T 7 N R 9 E

TYPE MONUMENT P.K. Nail

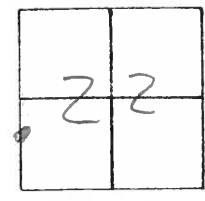
Set P.K./WASHER
3-25-92

ON SURFACE - ~~BELOW~~ YES

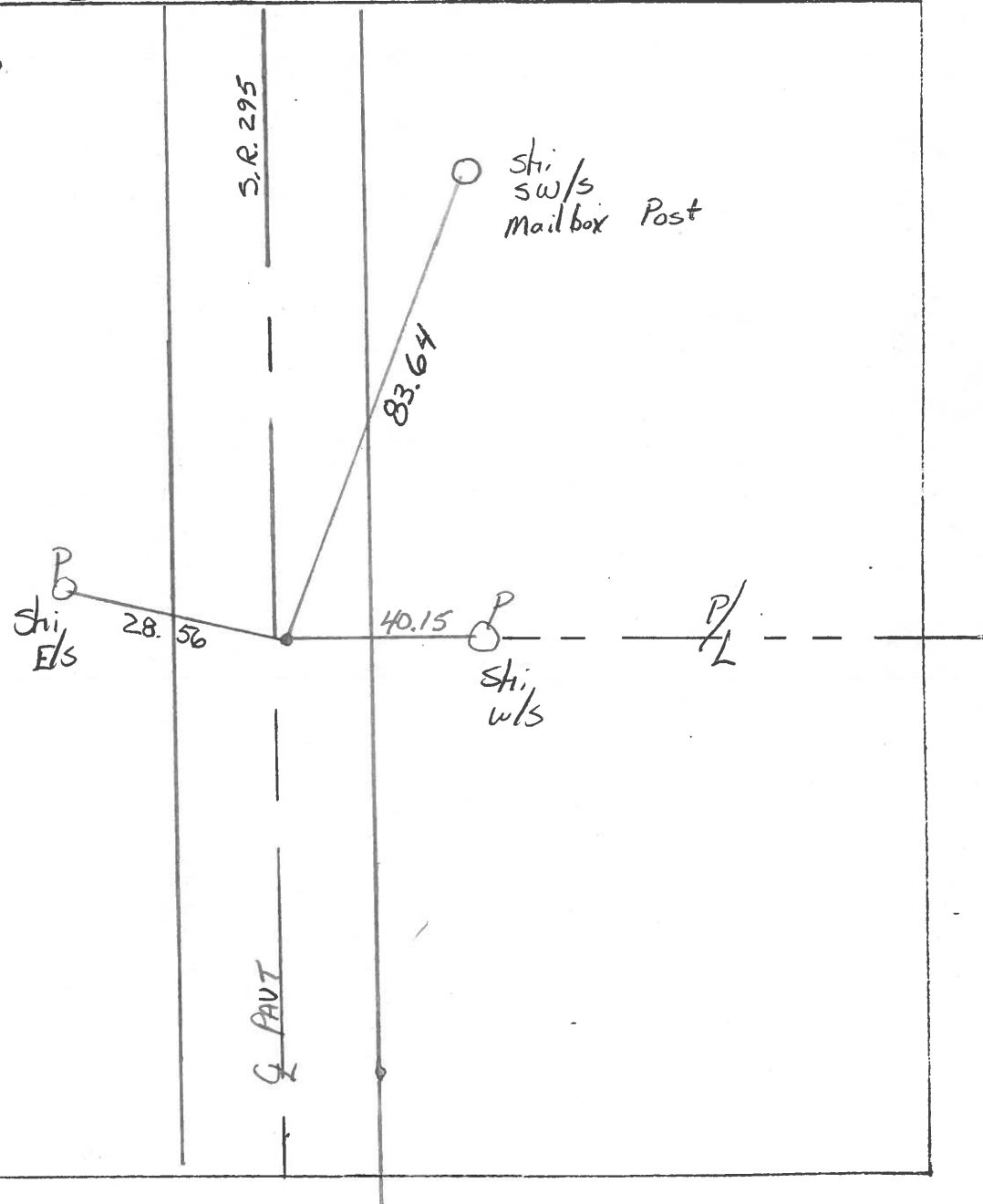
LEFT - & PAVT. - RIGHT L/L

9.0 TO R+ EDGE PAVEMENT

S.L.M. 422+36 @ 8 mile Marker



300' ± NORTH
OF REED ROAD



County Lucas S.R. 295

Date 27 April 82

Township Swanton

Weather Cool

Section 22

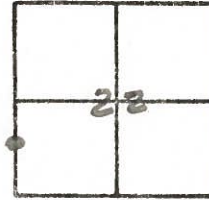
Temp. 42°

T N, R E

Personnel 1. Stone

P. Newser

R. Michalak



REF. NO. 24A

