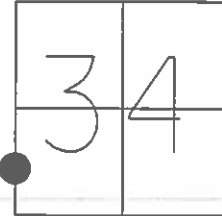


O.D.O.T. DISTRICT 2 SURVEY OFFICE (USE ONLY)

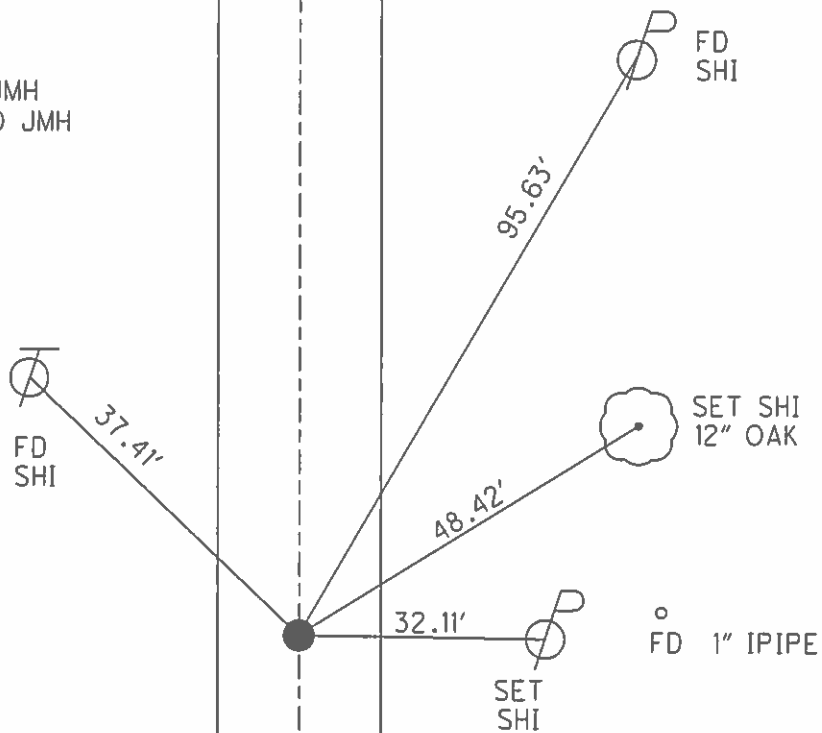
PERSONNEL _____ REFERENCE NO. 32 A SHEET 6 OF 24
 NOTES HARBAUGH DATE 6/29/12 ROUTE SR 295
 H.C. HUSS WEATHER SUNNY COUNTY LUCAS
 R.C. COUTCHER TEMP. 80° TOWNSHIP SWANTON
 _____ SECTION 34
 _____ T 8 N R 9 E

TYPE MONUMENT _____ P.K.SHANK
 ON SURFACE - ~~BELOW~~ _____ ON _____
 LEFT - ☉ PAV'T - ~~RIGHT~~ _____ 1.5'
9.4' TO LT EDGE PAVEMENT
 S.L.M. _____ 692+05.08



GRID: NORTHING: 709842.189 EASTING: 1606086.518

RECORD:
 SET PK NAIL
 AT SURFACE 8/11/86
 FD PK NAIL 9/15/10 JMH
 GPS REFA32, 10/13/10 JMH
 SET MAG/WASHER
 10/16/12, SDC
 GPS, NEW REFA32
 11/30/12, SDC



NOTE:
 THIS POINT LOOKS TO BE
 HARDING- SWANTON TWP. LINE

☉ SR 295

O.D.O.T. DISTRICT 2 SURVEY OFFICE (USE ONLY)

PERSONNEL

REFERENCE NO. 32 A

SHEET 6 OF 24

NOTES HARBAUGH

DATE 6-29-12

ROUTE SR#295

H.C. HUSS

WEATHER SUNNY

COUNTY LUCAS

R.C. COUTCHER

TEMP. 80°F

TOWNSHIP SWANTON

SECTION 34

T 8 N R 9 E

TYPE MONUMENT P.K. SHANK

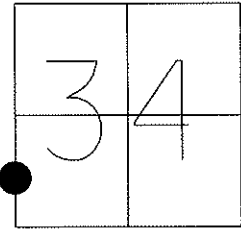
ON SURFACE - ~~BELOW~~ ON

LEFT - Q PAV'T - ~~RIGHT~~ 1.5'

9.4' TO LT. EDGE PAVEMENT

S.L.M. 692+05.08

Grid: Northing: 7098842.189 Easting: 1606086.518



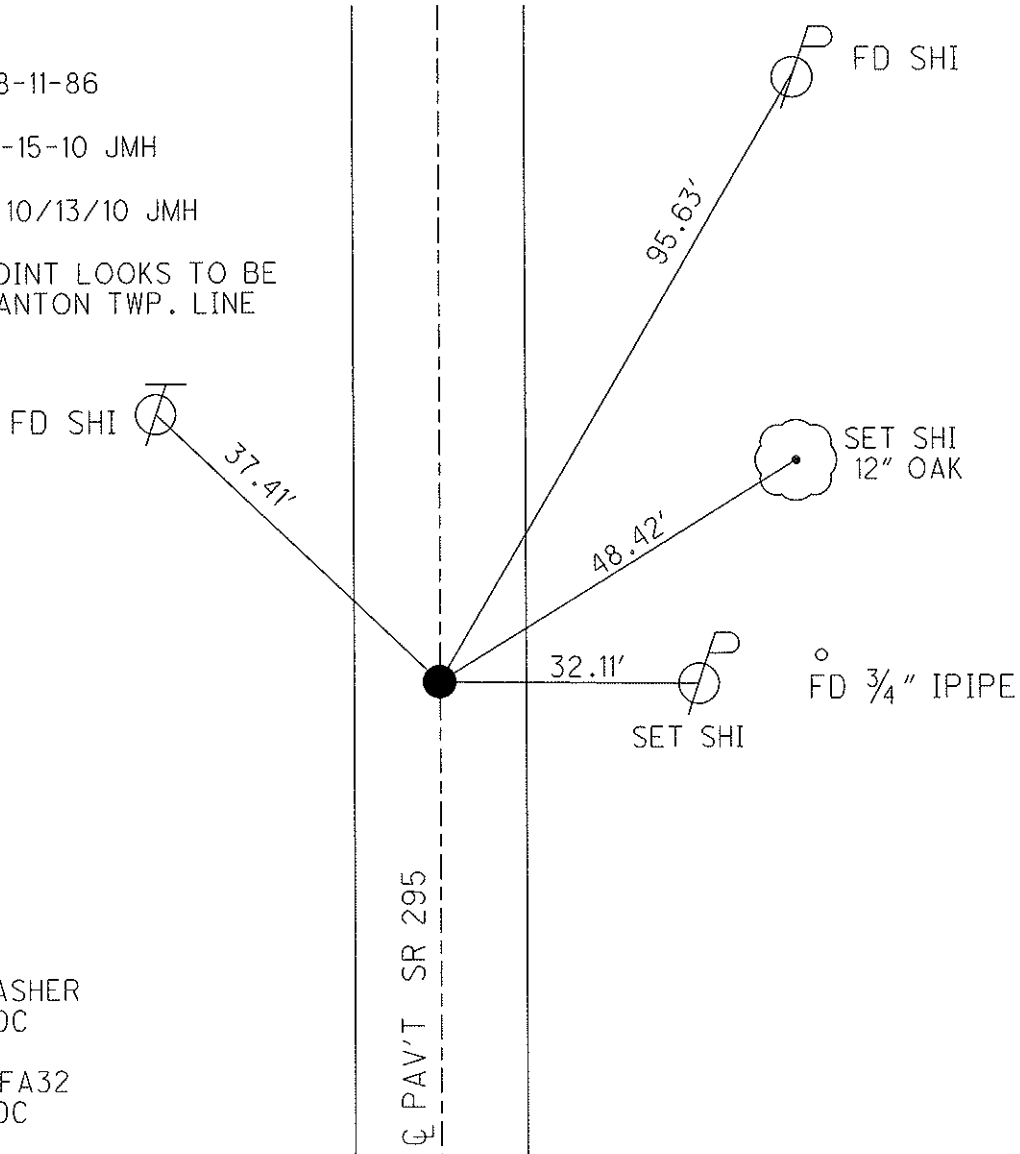
RECORD:

SET PK NAIL
AT SURFACE 8-11-86

FD PK NAIL 9-15-10 JMH

GPS REFA32, 10/13/10 JMH

NOTE: THIS POINT LOOKS TO BE
HARDING- SWANTON TWP. LINE



SET MAG/WASHER
10/16/12, SDC

GPS, NEWREFA32
11/30/12, SDC

O.D.O.T. DISTRICT 2 SURVEY OFFICE

PERSONNEL

REFERENCE NO. 32-A

SHEET 6 OF

NOTES 1. Stone

H.C. D. Curtis

R.C. J. Housholder

R. Michalak

DATE 6 May 86

WEATHER Cloudy

TEMP. 78°

ROUTE SR #295

COUNTY Lucas

TOWNSHIP Swanton

SECTION 34

T. R.

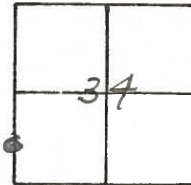
TYPE MONUMENT PK Nail

ON SURFACE - BELOW Surface

LEFT - ☉ PAV'T. - RIGHT

 TO EDGE PAVEMENT

S.L.M. 630+80



THIS POINT LOOKS TO BE HARDING -
SWANTON TWP. LINE

Set P.K. Nail To Surface -
E-11-86

