

O.D.O.T. DISTRICT 2 SURVEY OFFICE (USE ONLY)

PERSONNEL

REFERENCE NO. 47

SHEET 24 OF 24

NOTES RHOADES

DATE 11/15/23

ROUTE SR 295

H.C. NIESE

WEATHER SUNNY

COUNTY LUCAS

R.C. ASTON

TEMP. 43°

TOWNSHIP RICHFIELD

MILLER

SECTION 16

DWG BY RHOADES PID 105618

T 9 N R 5 E

TYPE MONUMENT MAG/WASHER

ON SURFACE - ~~BELOW~~ ON

OFFSET Q PAVEMENT 2.0' LT : RT

9.0' TO LT EDGE PAVEMENT

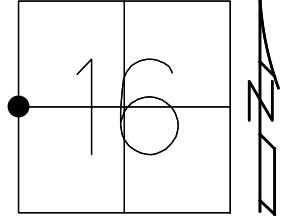
STATION: 1163+03.87

HORZ.DATUM: NAD83 (2011)

GEOID: NAVD88 2018

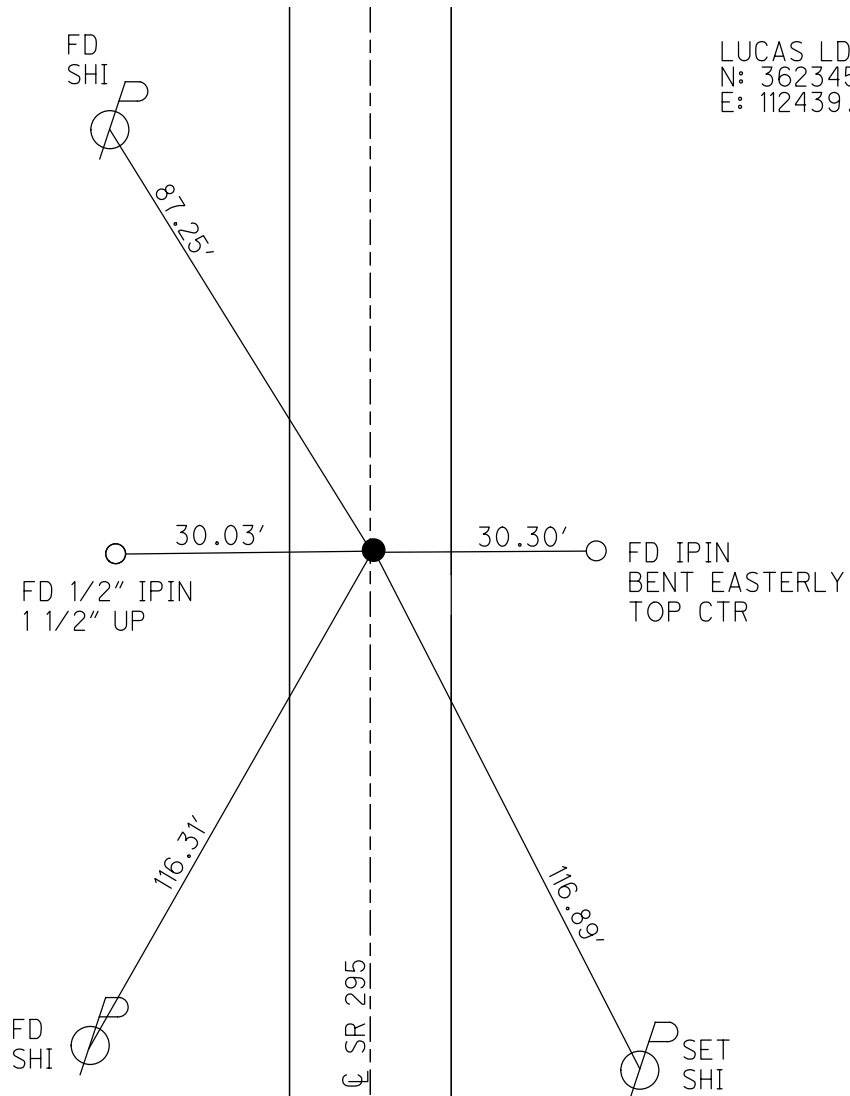
GRID: NORTHING: 741385.847

EASTING: 1602827.495



RECORD:
 FD P.K./WASHER
 5/16/05
 SET MAG/WASHER
 7/11/05, DCH
 FD MAG/WASHER
 REF47
 10/06/10, EAF
 FD MAG/WASHER
 REF47
 4-9-19, JLL
 FD MAG NAIL
 REF47
 9/1/23,
 SET MAG/WASHER
 11/15/23, TDN

LUCAS LDP:
 N: 362345.603
 E: 112439.289



O.D.O.T. DISTRICT 2 SURVEY OFFICE (USE ONLY)

PERSONNEL _____

REFERENCE NO. 47

SHEET 24 OF 24

NOTES AUBLE

DATE 5-7-20

ROUTE SR 295

H.C. LEU

WEATHER BREEZY CLEAR

COUNTY LUCAS

R.C. BALBAUGH

TEMP. 55°F

TOWNSHIP RICHFIELD

SECTION 16

DWG BY MAHLER PID 107059

T 9 N R 5 E

TYPE MONUMENT MAG/WASHER

ON SURFACE - ~~BELOW~~ ON

OFFSET Q PAVEMENT 1.0' LT : RT

9.0' TO LT EDGE PAVEMENT

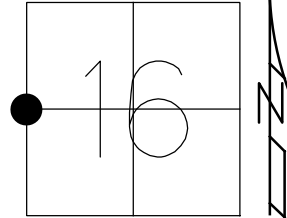
STATION: 1032+41.25

HORIZ.DATUM: NAD83 (2011)

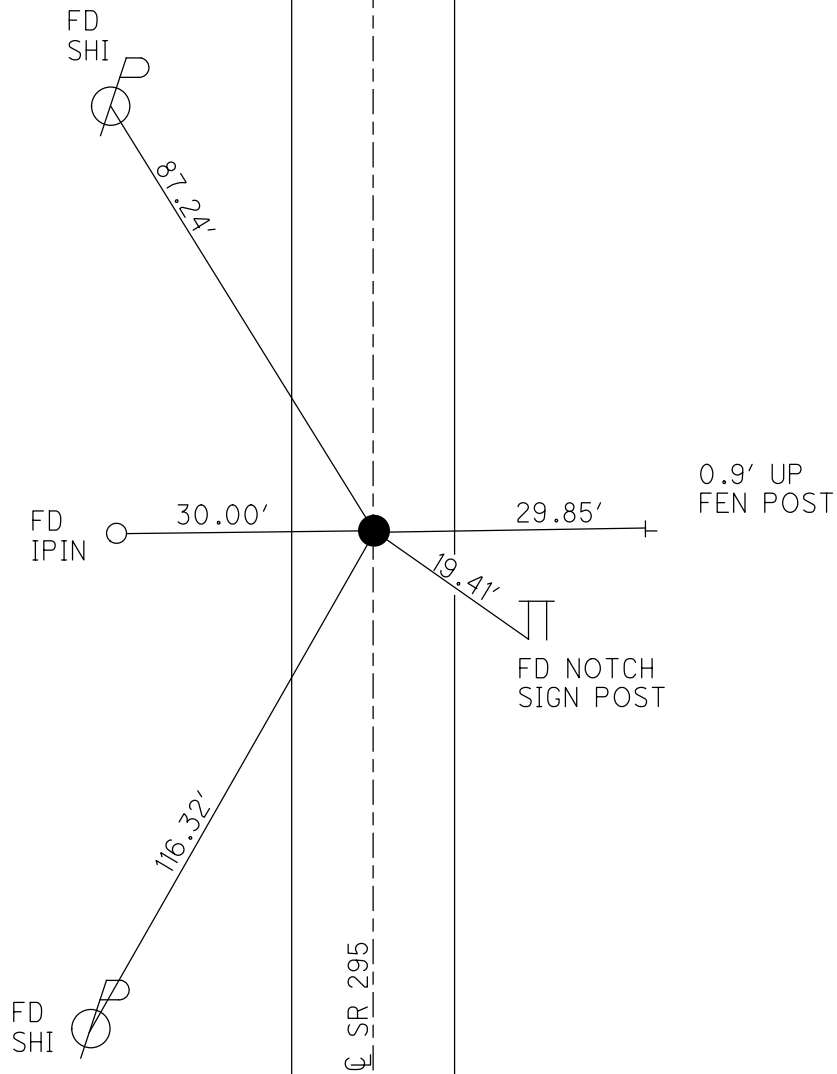
GEOID: NAVD88-2012A

GRID: NORTHING: 741385.861

EASTING: 1602827.543



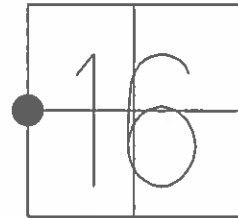
RECORD:
 FD PK/WASHER
 5/16/05
 SET MAG/WASHER
 7/11/05, DCH
 FD MAG/WASHER
 REF47
 10/06/10, EAF
 FD MAG/WASHER
 PAINTED
 3-6-19, JLL
 FD MAG/WASHER
 REF47
 4-9-19, JLL



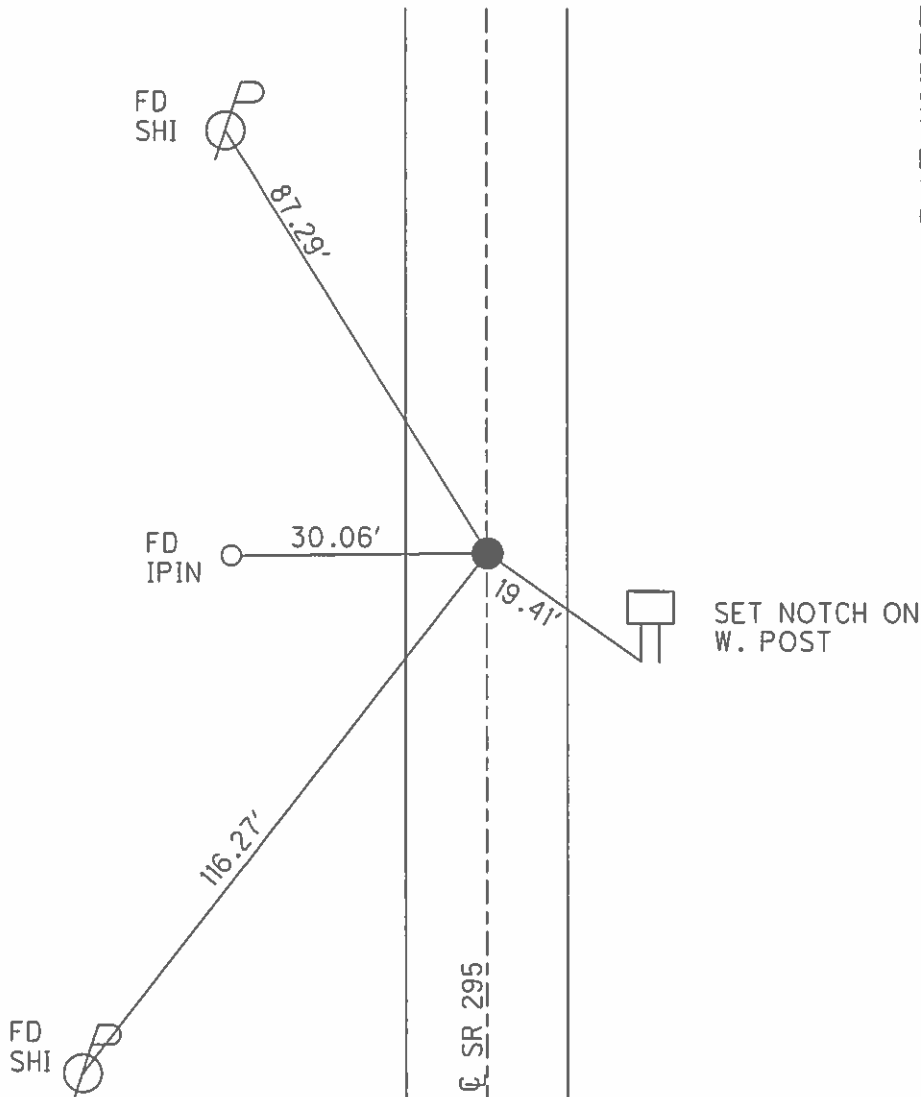
O.D.O.T. DISTRICT 2 SURVEY OFFICE (USE ONLY)

PERSONNEL _____ REFERENCE NO. 47 SHEET 24 OF 24
 NOTES LUMBREZER DATE 12/29/10 ROUTE SR 295
 H.C. LUMBREZER WEATHER CLEAR COUNTY LUCAS
 R.C. HARBAUGH TEMP. 25° TOWNSHIP RICHFIELD
 _____ SECTION 16
 _____ T9S R5E

TYPE MONUMENT _____ P.K./WASHER _____
 ON SURFACE ~~BELOW~~ ON _____
 LEFT - ☉ PAV'T - ~~RIGHT~~ 1.0'
9.0' TO LT EDGE PAVEMENT
 S.L.M. 1032+41.51
 GRID: NORTHING: 741387.0723 EASTING: 1602821.9685



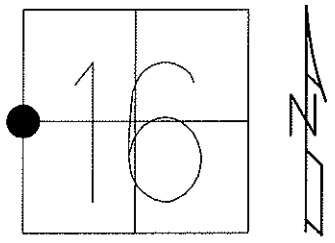
RECORD:
 FD PK/WASHER
 5/16/05
 SET MAG/WASHER
 7/11/05, DCH
 FD MAG/WASHER
 10/06/10, EAF
 GPS REF 47



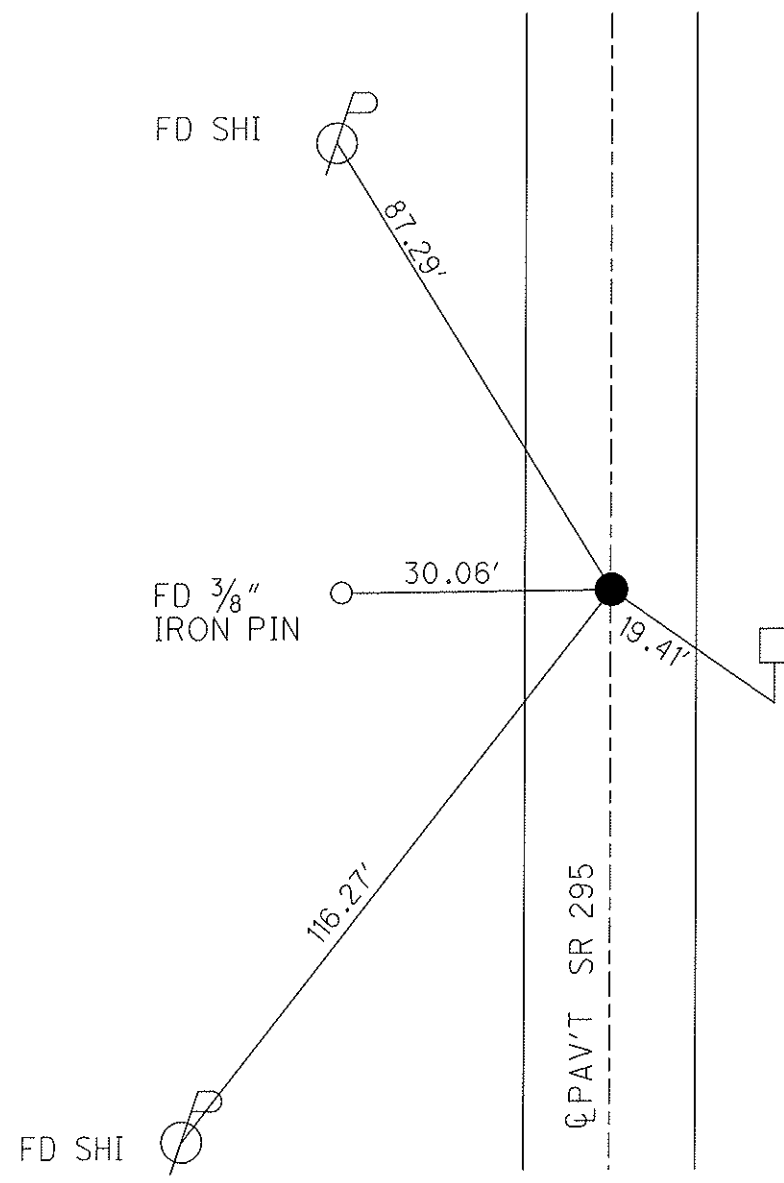
O.D.O.T. DISTRICT 2 SURVEY OFFICE (USE ONLY)

PERSONNEL	REFERENCE NO. <u>47</u>	SHEET <u>24</u> OF <u>24</u>
NOTES <u>LUMBREZER</u>	DATE <u>12-29-10</u>	ROUTE <u>SR#295</u>
H.C. <u>LUMBREZER</u>	WEATHER <u>CLEAR</u>	COUNTY <u>LUCAS</u>
R.C. <u>HARBAUGH</u>	TEMP. <u>25°F</u>	TOWNSHIP <u>RICHFIELD</u>
		SECTION <u>16</u>
		T <u>9</u> S R <u>5</u> E

TYPE MONUMENT P.K./WASHER
 ON SURFACE - ~~BELOW~~ ON
 LEFT - ℄ PAV'T - ~~RIGHT~~ 1.0'
9.0' TO LT. EDGE PAVEMENT
 S.L.M. 1032+41.51



Grid: Northing: 741387.0723 Easting: 1602821.9685



RECORD: FD PK/WASHER 5-16-05
 SET MAG/WASHER 7-11-05 DCH
 FD MAG/WASHER 10-06-10 EAF
 GPS REF 47
 NOTE: 3545 SR#295
 COMPLAINT ABOUT SOD
 BEING PLOWED

O.D.O.T. DISTRICT 2 SURVEY OFFICE

PERSONNEL

REFERENCE NO. 47

SHEET 4 OF 10

NOTES HOMAN

DATE 5-18-05

ROUTE SR 295

H.C. NUHFER

WEATHER SUNNY

COUNTY LUCAS

R.C. HERALD

TEMP. 65°

TOWNSHIP RICHFIELD

SECTION 16

T 9 S R 5 E

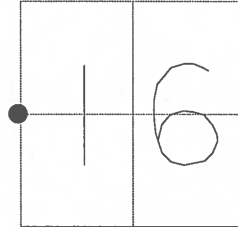
TYPE MONUMENT PK & WASHER

ON SURFACE - ~~BELOW~~ YES

LEFT - Q PAV'T - ~~RIGHT~~ 1' LT

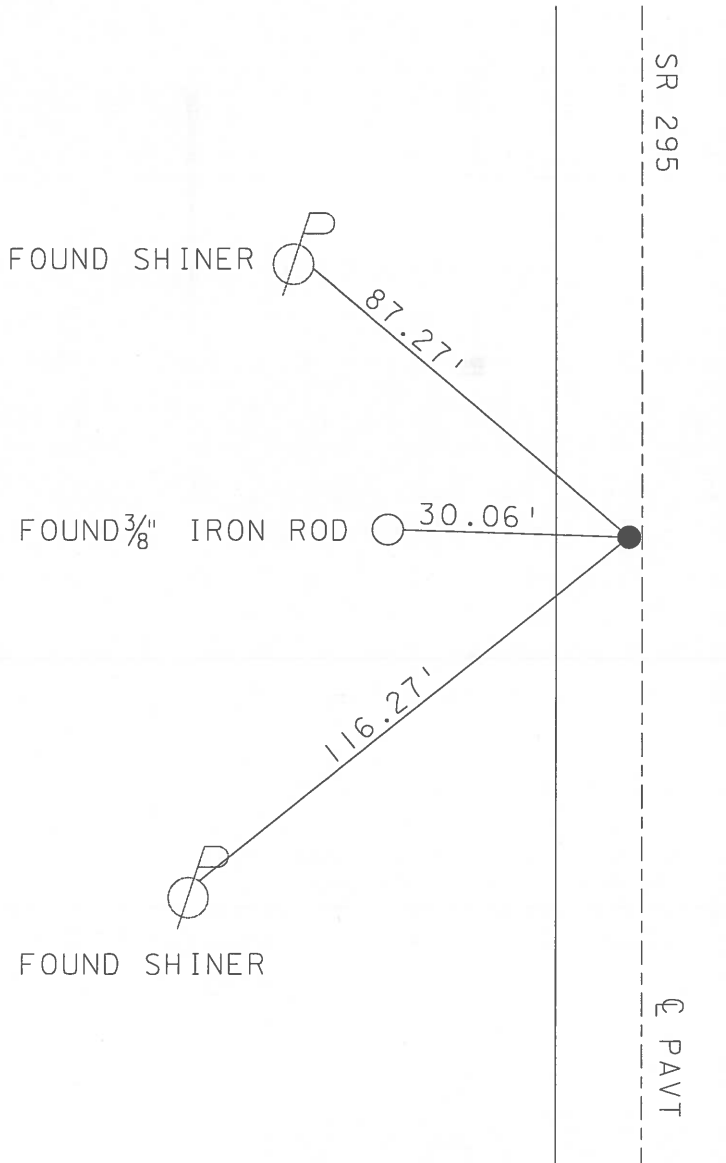
9.0' TO LT EDGE PAVEMENT

S.L.M. 1032+48



FOUND 5-16-05

SET MAG & WASHER
DCH 7-11-05



O.D.O.T. DISTRICT 2 SURVEY OFFICE

PERSONNEL

REFERENCE NO. 47

SHEET 3 OF 9

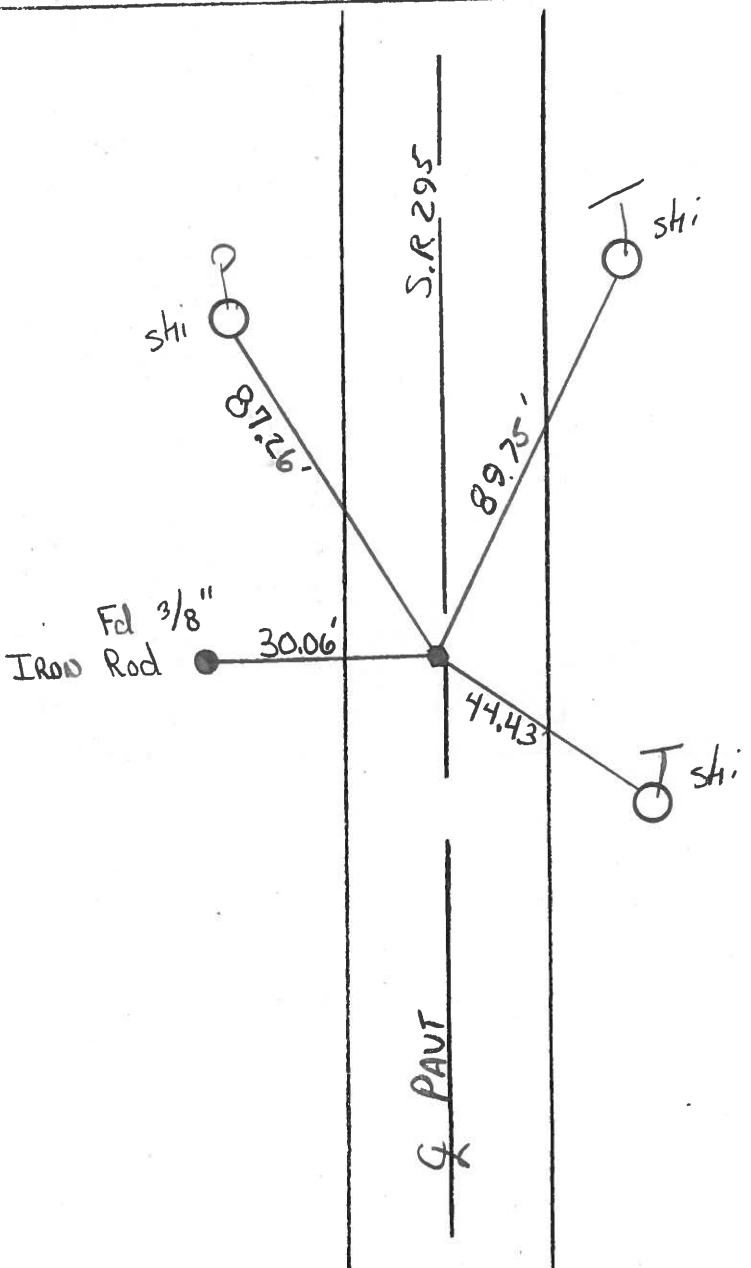
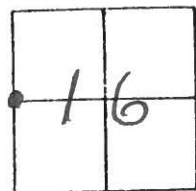
NOTES LOENRKE/CORDES
 H.C. VAN DUSEN
 R.C. COX

DATE 6-24-97
 WEATHER HOT
 TEMP. Very Hot +97°

ROUTE S.R. 295
 COUNTY LUCAS
 TOWNSHIP Richfield
 SECTION 16
T 9 S R 5 E

Set P.K./WASHER
 B-28-97
 c.l.

TYPE MONUMENT Sm. R.P. Spike
 ON SURFACE - ~~BELOW~~ Yes
 LEFT-o PAV'T. - ~~RIGHT~~ 0.3' Lt
2.6' TO Lt EDGE PAVEMENT
 S.L.M. 1032+48



Q.D.O.T. DISTRICT 2 SURVEY OFFICE

SHEET 3 OF

County Lucas S.R. 295

Date 29 June 83

Township Richfield

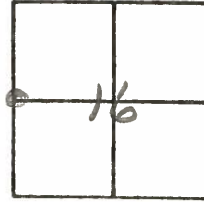
Weather Cloudy

Section 16

Temp. 65°

T_N, R_E

Personnel 1. Stone



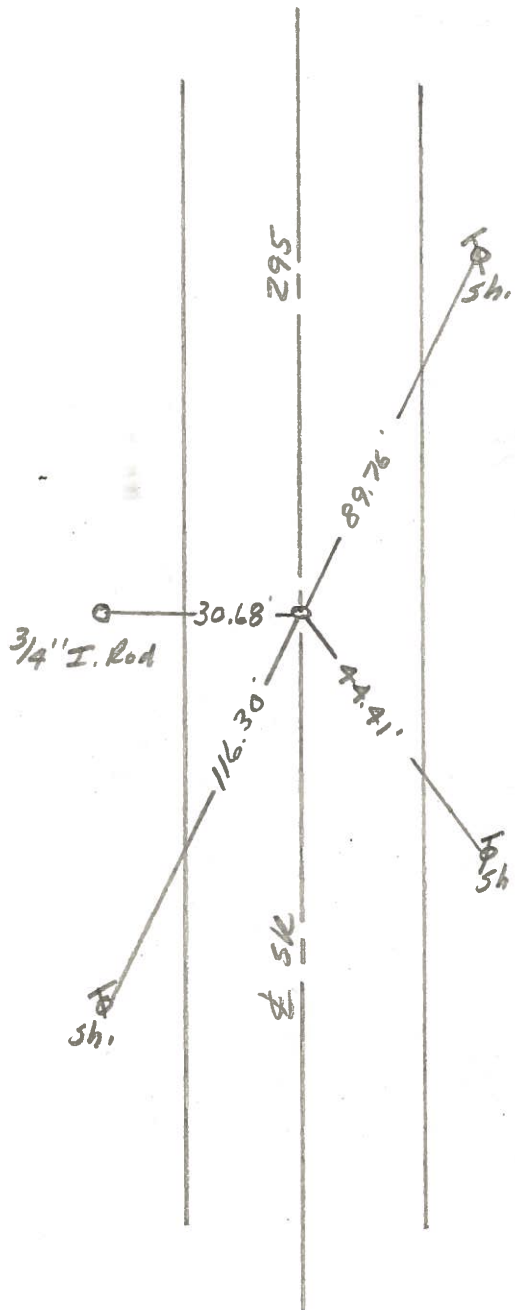
P. Neuser

R. Michalak

D. Curtis

S.L.M. Sta. 970+97

REF. NO. 47



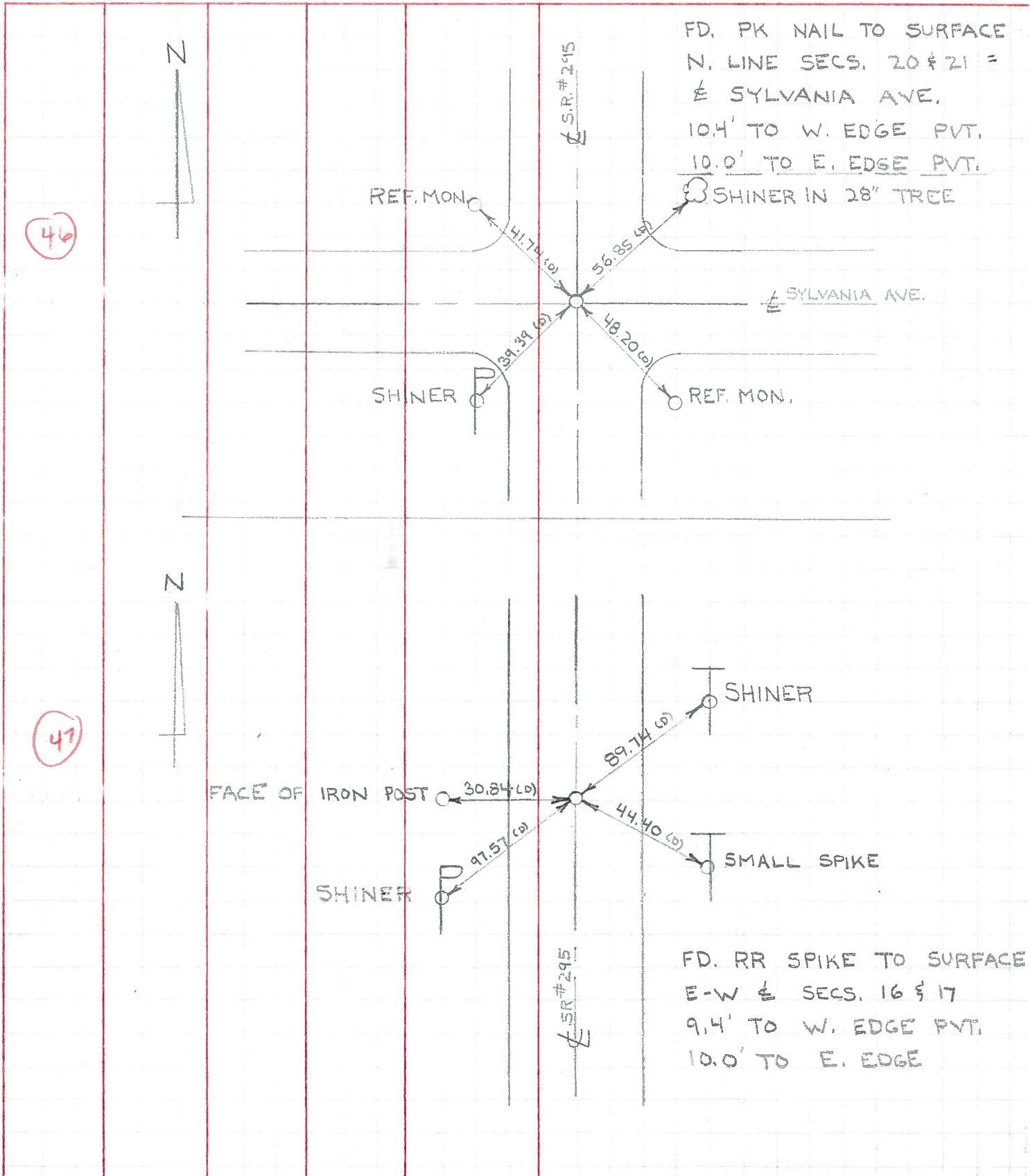
Fd. Small RR Spt.
1/4 Cor. Sec. 16-17
10.5' to E. edge put,
9.2' to W. edge put.

SET Small RR Spt.

PERSONNEL	TITLE	PERSONNEL	TITLE
W. DENNO			
D. CURTIS			
D. STEVENS			
R. BRANNAN			

COUNTY LUCAS DATE JULY 20, 1971
 S. R. # 295 WEATHER FAIR
 SEC. _____ TEMP. 70±

DESCRIPTION REFERENCES TO CONTROL POINTS LEFT CENTER LINE RIGHT JOB NO. _____



PERSONNEL	TITLE	PERSONNEL	TITLE
Stone	Notes		
Beck	Flag		
Michalak	Tape		
Schroder	Tape		

COUNTY Lucas DATE 17 June 68
 S. R. # 295 WEATHER Fair
 SEC. _____ TEMP. 60°

DESCRIPTION References to Control Points JOB NO. _____

