

O.D.O.T. DISTRICT 2 SURVEY OFFICE (USE ONLY)

PERSONNEL

REFERENCE NO. 52

SHEET 7 OF 8

NOTES RHOADES

DATE 11/15/23

ROUTE SR 295

H.C. NIESE

WEATHER SUNNY

COUNTY LUCAS

R.C. ASTON

TEMP. 43°

TOWNSHIP RICHFIELD

MILLER

SECTION 9

DWG BY RHOADES PID 105618

T 9 N R 5 E

TYPE MONUMENT MAG/WASHER

ON SURFACE - ~~BELOW~~ ON

OFFSET Q PAVEMENT 1.5' LT : RT

8.9' TO LT EDGE PAVEMENT

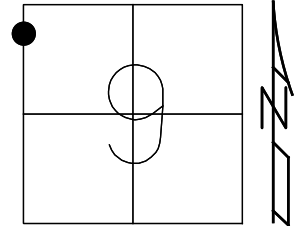
STATION: 1252+42.26

HORIZ.DATUM: NAD83 (2011)

GEOID: NAVD88 2018

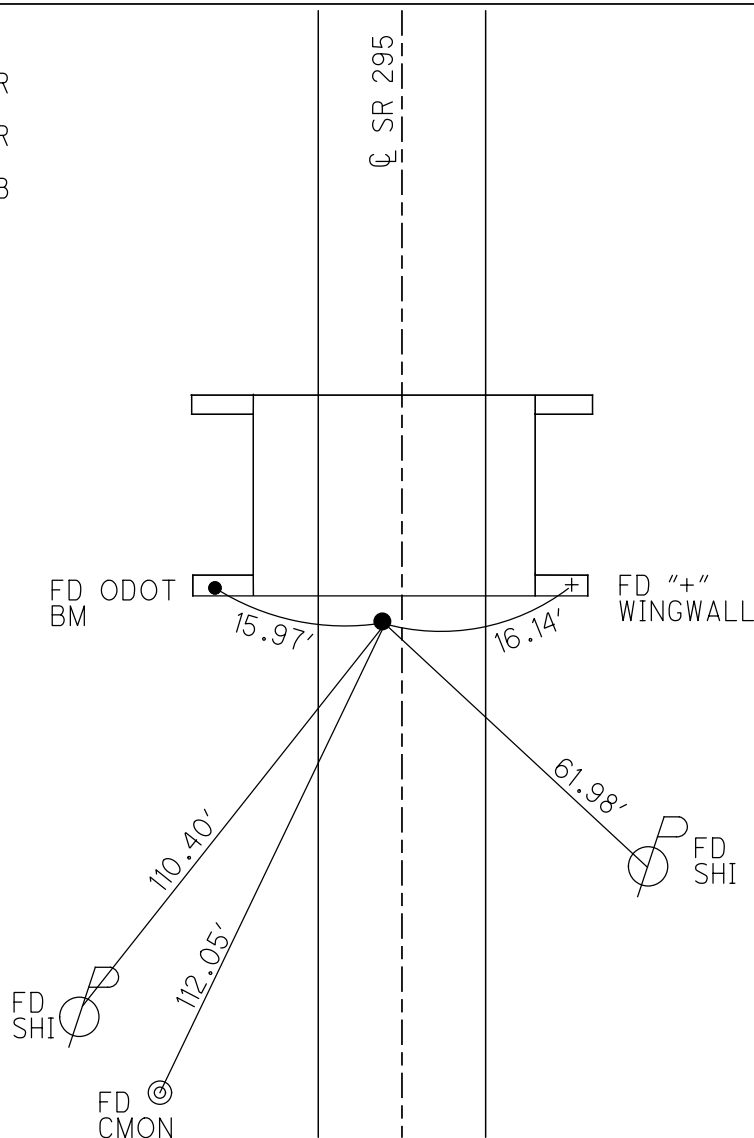
GRID: NORTHING: 750323.518

EASTING: 1602716.714



RECORD:
 FD MAG/WASHER
 5/17/05
 FD MAG/WASHER
 IN CONC.
 APPROACH SLAB
 REF52
 3-6-19, JLL
 FD P.K.NAIL
 REF52
 9/1/23,
 11/15/23, TDN

LUCAS LDP:
 N: 371281.270
 E: 112210.871



O.D.O.T. DISTRICT 2 SURVEY OFFICE (USE ONLY)

PERSONNEL

REFERENCE NO. 52

SHEET 7 OF 8

NOTES AUBLE

DATE 5-7-20

ROUTE SR 295

H.C. LEU

WEATHER BREEZY SUNNY

COUNTY LUCAS

R.C. BALBAUGH

TEMP. 55°F

TOWNSHIP RICHFIELD

DWG BY MAHLER PID 107059

SECTION 9

T 9 N R 5 E

TYPE MONUMENT MAG NAIL

ON SURFACE - ~~BELOW~~ ON

OFFSET \varnothing PAVEMENT 1.1' LT : RT

8.9' TO LT EDGE PAVEMENT

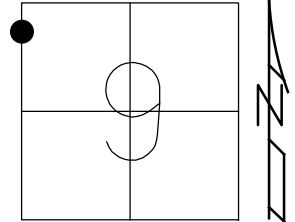
STATION: 1121+79.66

HORZ. DATUM: NAD83 (2011)

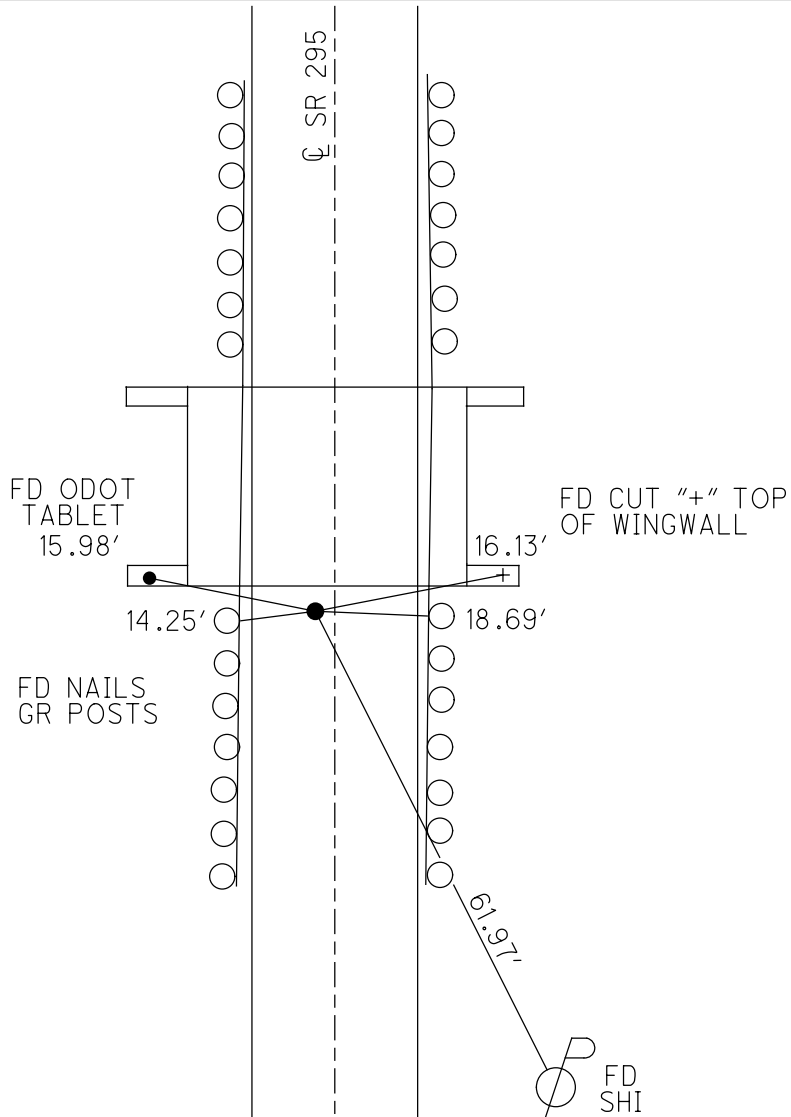
GEOID: NAVD88-2012A

GRID: NORTHING: 750323.581

EASTING: 1602716.751



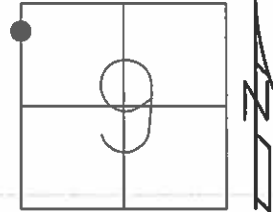
RECORD:
 FD MAG/WASHER
 5/17/05
 FD MAG/WASHER
 IN CONC.
 APPROACH SLAB
 REF52
 3-6-19, JLL



O.D.O.T. DISTRICT 2 SURVEY OFFICE (USE ONLY)

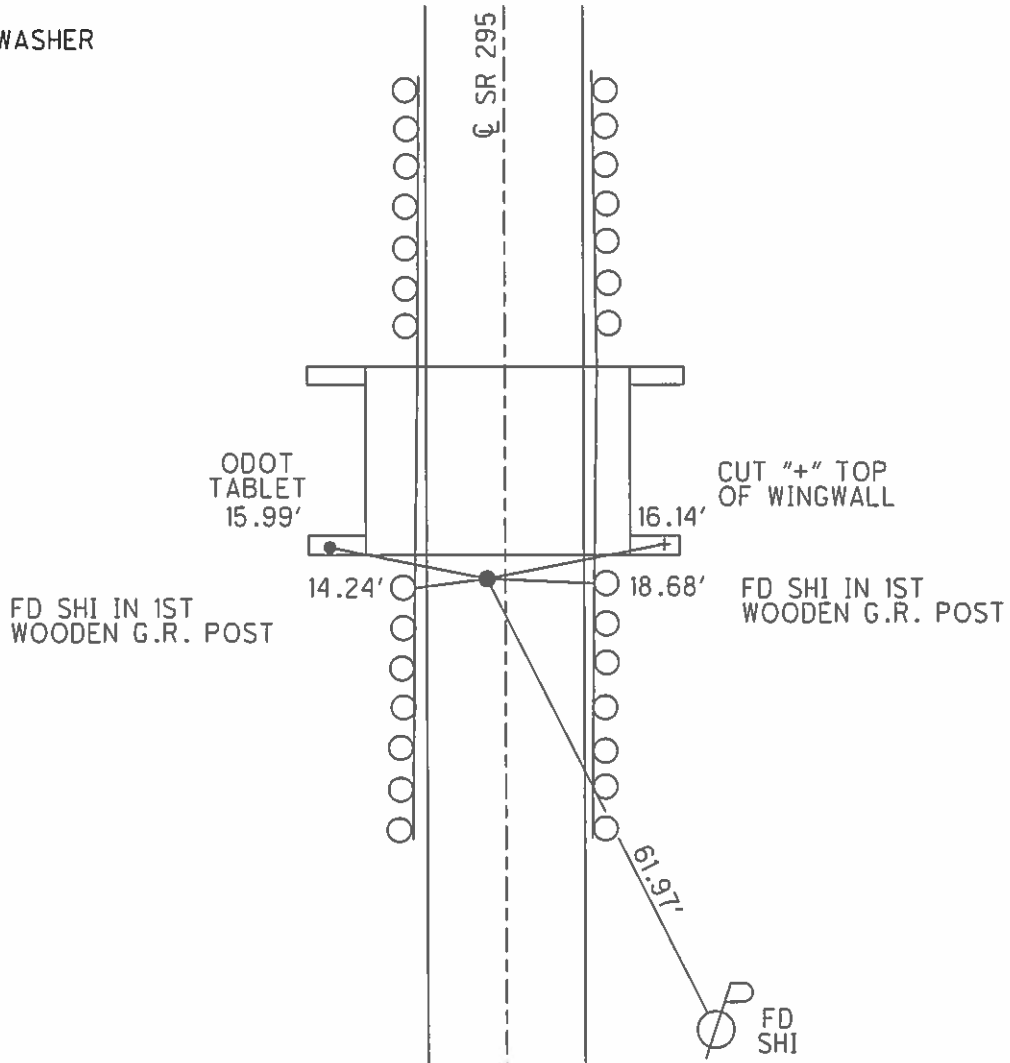
PERSONNEL	REFERENCE NO.	52	SHEET	7	OF	8
NOTES	HOMAN	DATE	5/18/05	ROUTE	SR 295	
H.C.	HERALD	WEATHER	SUNNY	COUNTY	LUCAS	
R.C.	MIKLOVIC	TEMP.	65°	TOWNSHIP	RICHFIELD	
				SECTION	9	
				T	9	N
				R	5	E

TYPE MONUMENT MAG/WASHER
 ON SURFACE - ~~BELOW~~ ON
 LEFT - ☉ PAV'T - ~~RIGHT~~ 1.1'
8.9' TO LT EDGE PAVEMENT
 S.L.M. 1122+08



Grid: Northing: _____ Easting: _____

FD MAG/WASHER
5/17/05



O.D.O.T. DISTRICT 2 SURVEY OFFICE

PERSONNEL

REFERENCE NO. 52

SHEET 7 OF 8

NOTES HOMAN

DATE 5-18-05

ROUTE SR 295

H.C. HERALD

WEATHER SUNNY

COUNTY LUCAS

R.C. MIKLOVIC

TEMP. 65°

TOWNSHIP RICHFIELD

SECTION 5

T 9 S R 5 E

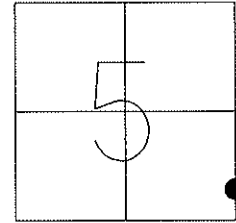
TYPE MONUMENT "+" CUT IN CONC.-SET PK NAIL

ON SURFACE - ~~BELOW~~ ON

LEFT - Q PAV'T - ~~RIGHT~~ 1.1'

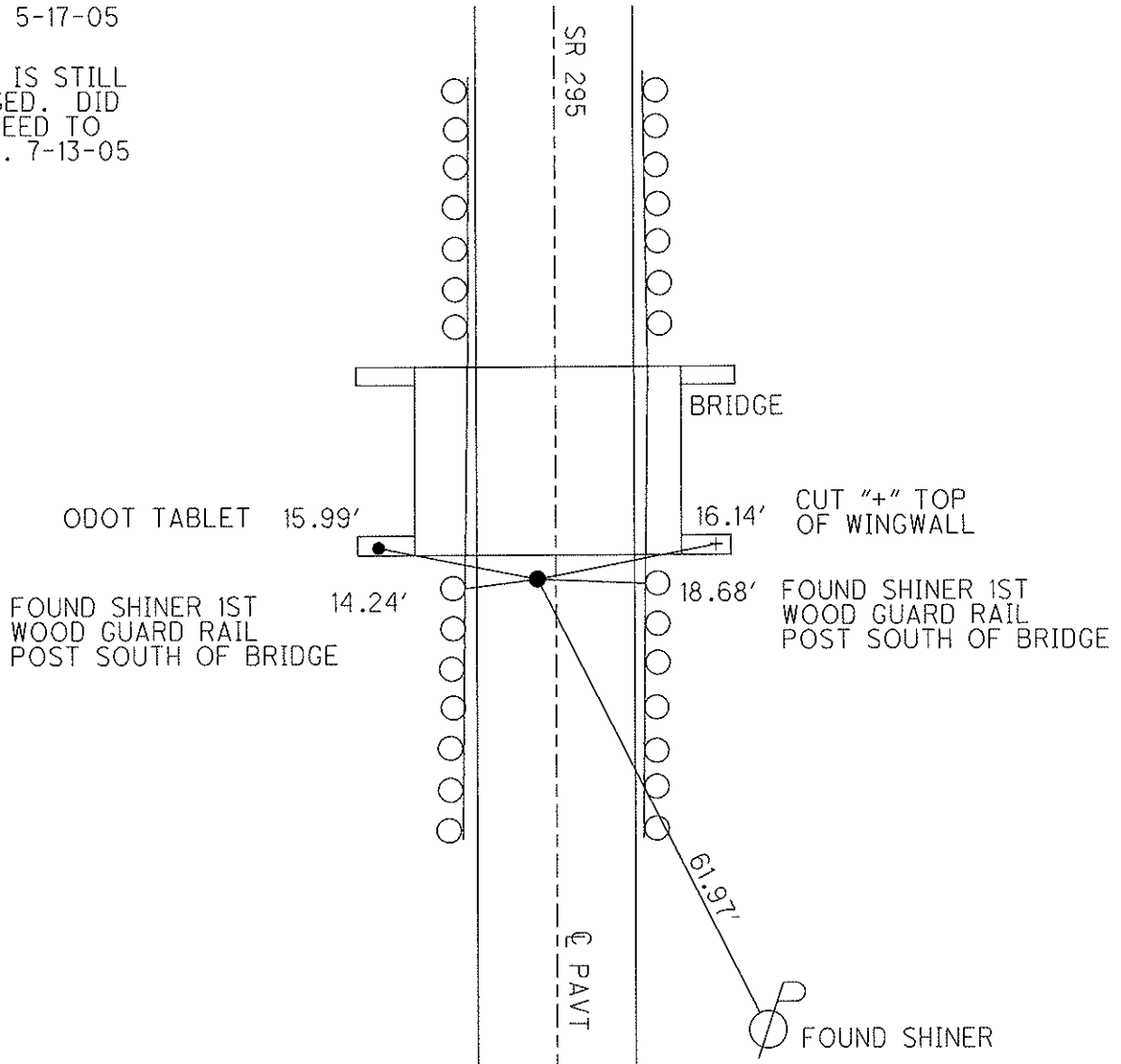
8.9' TO LT. EDGE PAVEMENT

S.L.M. 1122+08



FOUND 5-17-05

POINT IS STILL
EXPOSED. DID
NOT NEED TO
RESET. 7-13-05



O.D.O.T. DISTRICT 2 SURVEY OFFICE

PERSONNEL

REFERENCE NO. 52

SHEET 8 OF 9

NOTES Weaver

H.C. CORDES

R.C. Cox

DATE 6-26-97

WEATHER SUNNY

TEMP. +85°

ROUTE S.R. 295

COUNTY LUCAS

TOWNSHIP Richfield

SECTION 5

T 9 S R 5 E

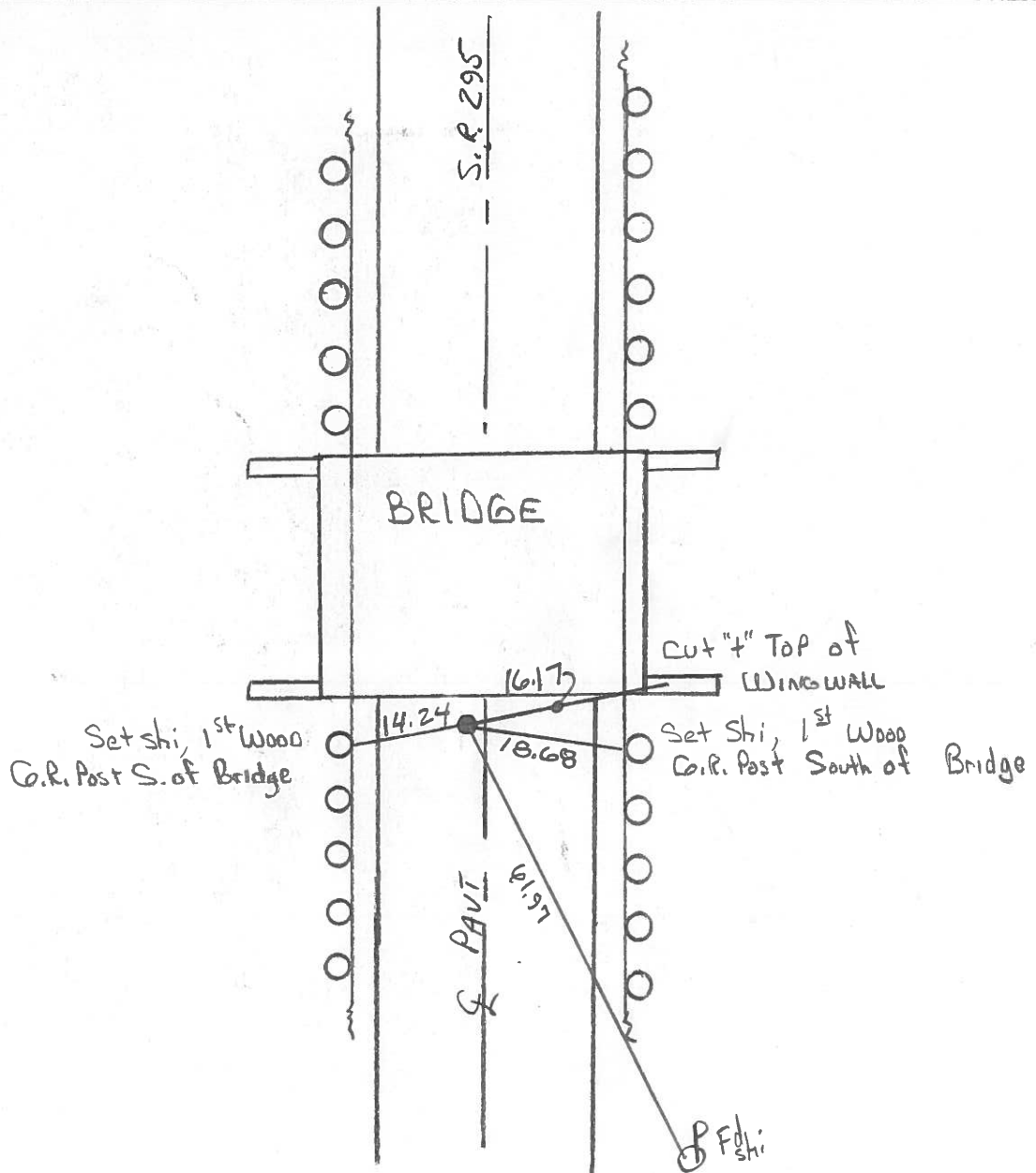
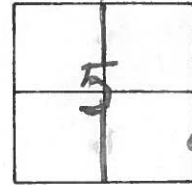
TYPE MONUMENT "+" Cut in CONC. - Set PK NAIL

ON SURFACE - BELOW Yes 7-9-98

LEFT - ☉ PAV'T. - RIGHT 1.1' Lt

8.5' TO Lt EDGE PAVEMENT

S.L.M. 1122+08



County Lucas S.R. 295

Date 29 June 83

Township Richfield

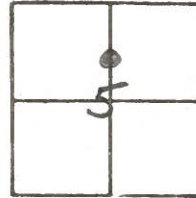
Weather Cloudy

Section 5

Temp. 68°

T N, R E

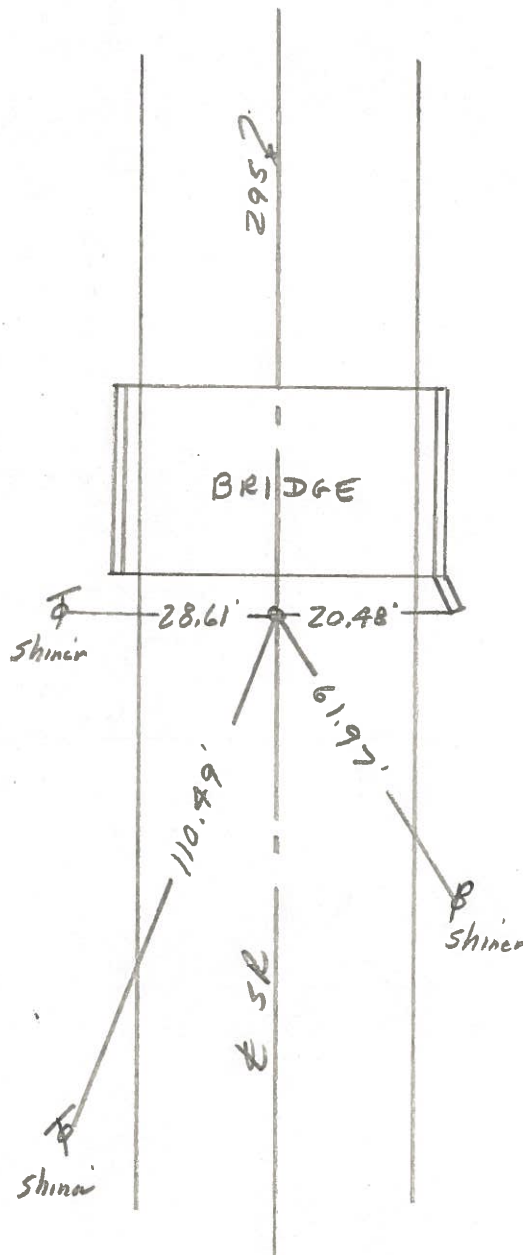
Personnel I. Stone



P. Neuser
R. Michalak
D. Curtis

SLM Sta. 1060+34.5

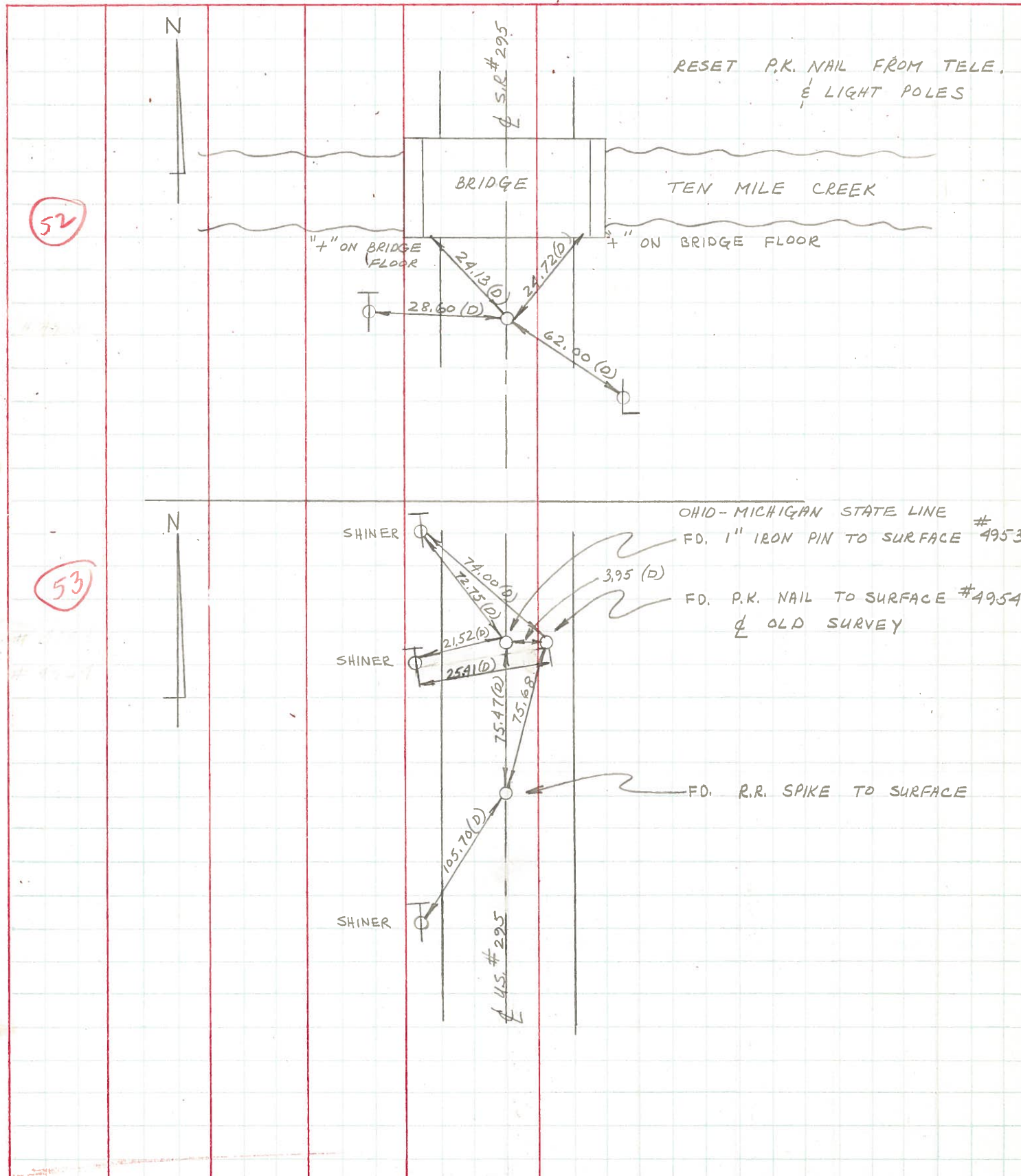
REF. NO. 52



Fd. Small RR Spk.
8.0' to W. edge put.
9.5' to E. edge put.
Set Small R.R. Spk.

PERSONNEL	TITLE	PERSONNEL	TITLE	COUNTY	DATE
W. DENNO				LUCAS	20 JULY 1971
D. CURTIS				S. R. #295	WEATHER FAIR
D. STEVENS					
R. BRANNAN				SEC.	TEMP. 70±

DESCRIPTION	REFERENCES TO CONTROL POINTS	JOB NO.
	LEFT CENTER LINE RIGHT	



PERSONNEL	TITLE	PERSONNEL	TITLE	COUNTY	DATE
Stone	Notes			Locas	17 June 68
Beck	Flog			S. R. # 295	WEATHER Fair
Michalala	Tape			SEC.	TEMP. 63°
Schroeder	Tape				

DESCRIPTION References to Control Points JOB NO.

