

FED. RD. DIST. NO.	STATE	PROJECT	FISCAL YEAR
10	OHIO		1942

OTTAWA & ERIE COUNTIES  
S.H. 569 SEC. B-(PT) & BAY BRIDGE

1  
7

MICROFILMED  
MAY 8 0 1965

STATE OF OHIO  
DEPARTMENT OF HIGHWAYS

PORT CLINTON-BAY BRIDGE ROAD

S.H. 569 SEC. B-(PT) & BAY BRIDGE

OTTAWA AND ERIE COUNTIES

DANBURY AND MARGARETTA TOWNSHIPS

CONVENTIONAL SIGNS

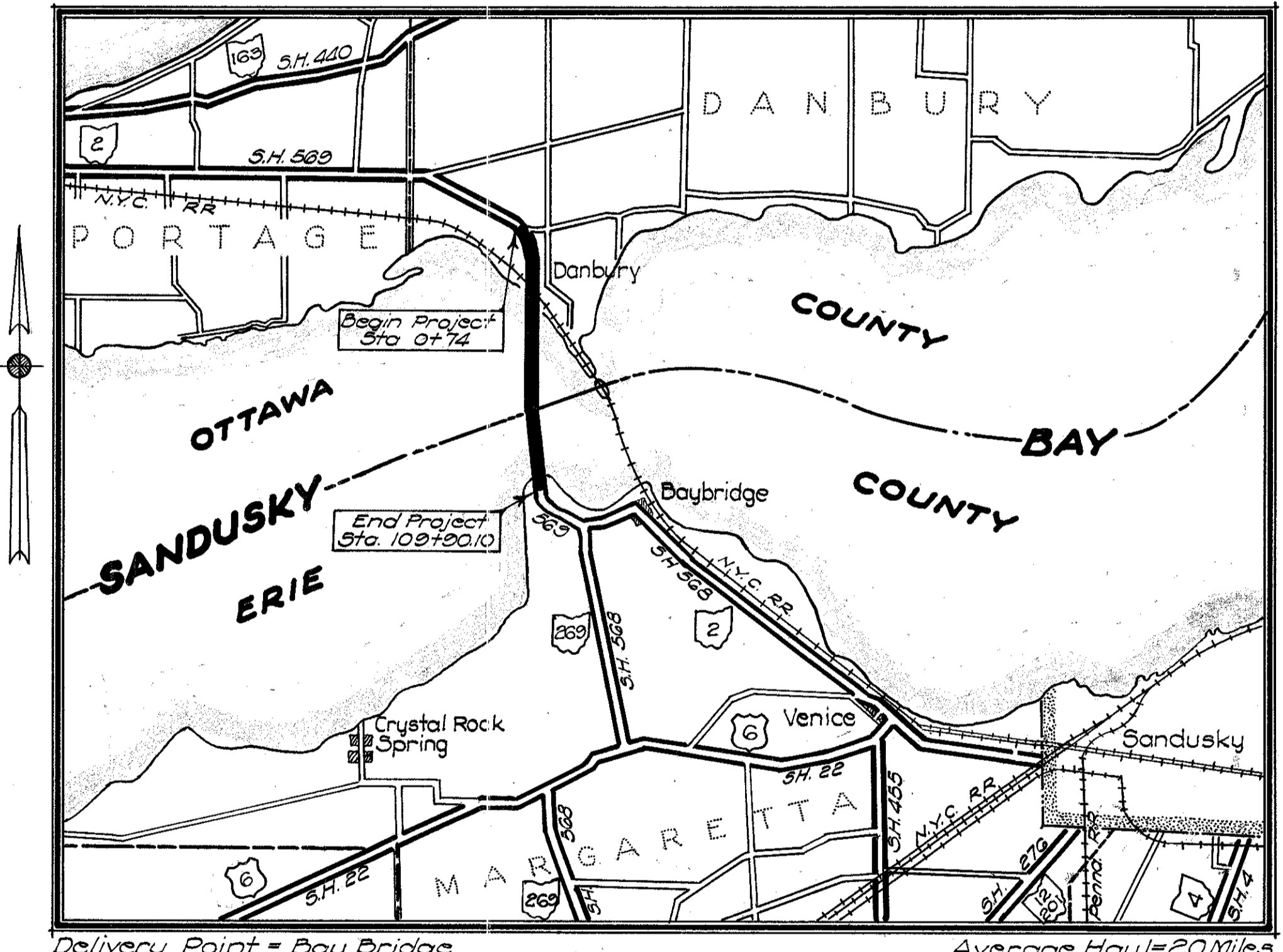
County Line	-----
Township Line	- - - - -
City or Village Line	=====
Center Line	-----
Railroad	-----

INDEX OF SHEETS

Title Page	1
Typical Section	2
Plan & Profile	3-6
Calculations & Summary	7

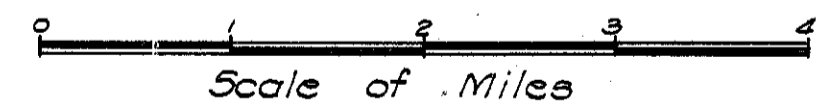
LINE DATA

Begin Project Sta. 0+74  
End Project Sta. 109+90.10  
Gross Length of Project = 10916.10 Lin. Ft.  
No Additions or Deductions 0.0  
Net Length of Project = 10916.10 Lin. Ft. or 2067 Miles



Delivery Point = Bay Bridge Average Haul = 2.0 Miles

LOCATION PLAN



Portion to be Improved  
State Highways  
Other Roads

SCALES

Plan 1" = 100'  
Profile (Horizontal) 1" = 100'  
Profile (Vertical) 1" = 10'

STD. CONST. DRAWINGS	
G-7.07	G-1-42

SUPPL. SPECIFICATIONS	
None	

CONSTRUCTION BUREAU  
JUL 8 1955  
GROUND PHOTOLAB

The Standard Specifications of the State of Ohio Department of Highways, including changes and Supplemental Specifications, listed in the proposal, shall govern this improvement.

I hereby approve these plans and declare that the making of this improvement will not require the closing to traffic of the Highway and that traffic will be maintained as indicated on the plans.

The Right of Way necessary for this improvement will be provided by the State of Ohio.

Approved V.T. Grimes  
Date 10/1/42 Resident Division Deputy Director

Approved \_\_\_\_\_  
Date \_\_\_\_\_ Chief Engineer, Bureau of Maintenance

Approved \_\_\_\_\_  
Date \_\_\_\_\_ Chief Engineer, Bureau of Bridges & R.R. Crossings

Approved Marion D. Shaffer  
Date 10-14-42 Chief Engineer, Bureau of Location and Right of Way.

Approved J.R. Hoag  
Date 10-14-42 First Assistant Director and Chief Engineer

Approved H.B. Tom  
Date 10-14-42 Director of Highways.

FILE NO.	S.H. 569 SEC. B-(PT) & BAY BRIDGE
DATE OF LETTING	1942
CONTRACT NO.	

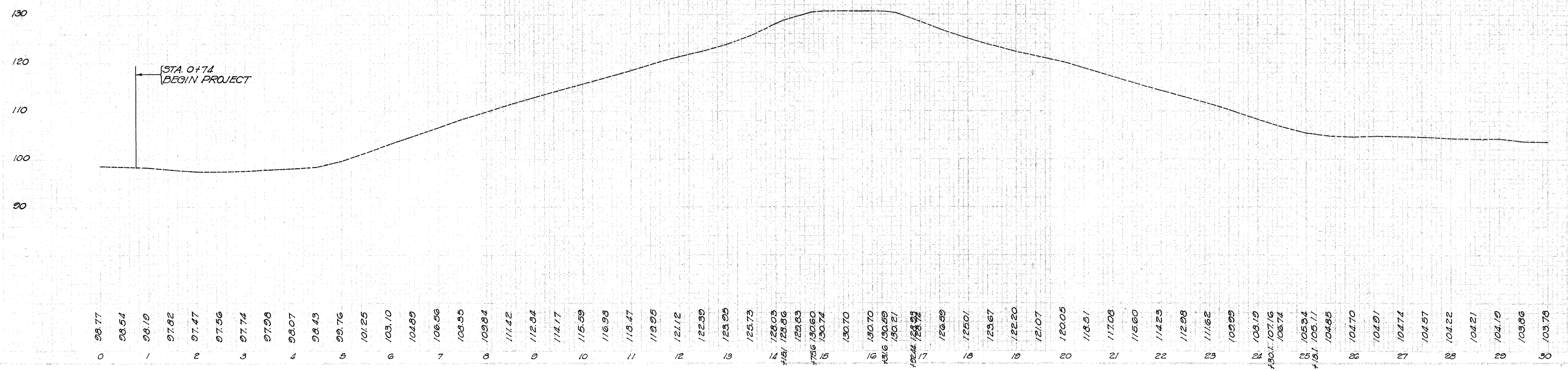
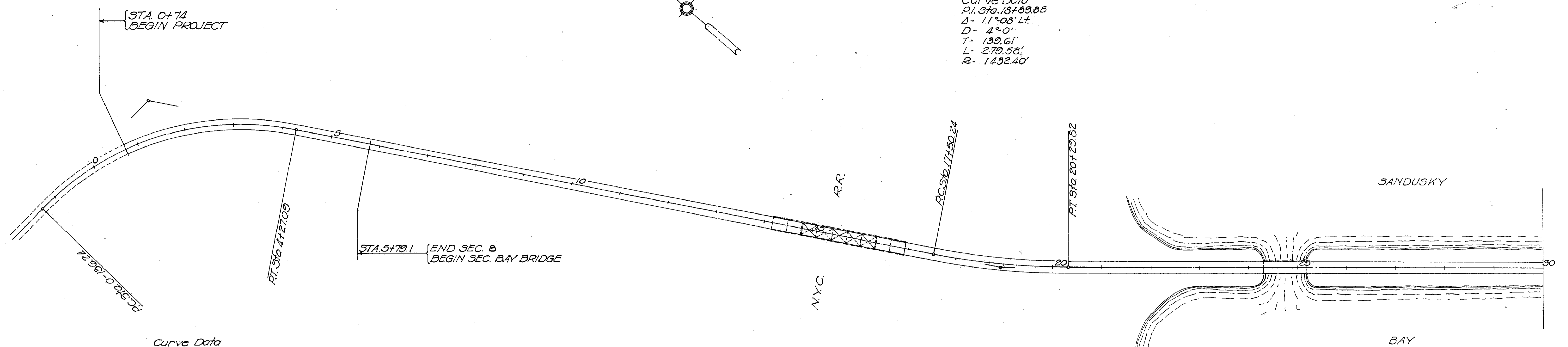
MICROFILMED  
MAY 20 1985

Curve Data  
P.I. Sta. 18+89.85  
Δ- 11°08' Lt.  
D- 4°0'  
T- 139.61'  
L- 279.58'  
R- 1432.40'

STA. 0+74  
BEGIN PROJECT

STA. 5+79.1  
END SEC. B  
BEGIN SEC. BAY BRIDGE

Curve Data  
P.I. Sta. 1+70.55  
Δ- 56°20' Rt.  
D- 10°0'  
T- 306.79'  
L- 563.33'  
R- 572.96'



0	98.77	1	98.54	2	98.10	3	97.82	4	97.47	5	97.56	6	97.74	7	97.98	8	98.07	9	98.43	10	99.76	11	101.25	12	103.10	13	104.89	14	106.56	15	108.95	16	111.42	17	112.94	18	114.17	19	115.59	20	116.98	21	118.47	22	119.95	23	121.12	24	122.39	25	123.95	26	125.73	27	128.05	28	128.86	29	129.83	30	129.83	31	129.83	32	129.83	33	129.83	34	129.83	35	129.83	36	129.83	37	129.83	38	129.83	39	129.83	40	129.83	41	129.83	42	129.83	43	129.83	44	129.83	45	129.83	46	129.83	47	129.83	48	129.83	49	129.83	50	129.83
---	-------	---	-------	---	-------	---	-------	---	-------	---	-------	---	-------	---	-------	---	-------	---	-------	----	-------	----	--------	----	--------	----	--------	----	--------	----	--------	----	--------	----	--------	----	--------	----	--------	----	--------	----	--------	----	--------	----	--------	----	--------	----	--------	----	--------	----	--------	----	--------	----	--------	----	--------	----	--------	----	--------	----	--------	----	--------	----	--------	----	--------	----	--------	----	--------	----	--------	----	--------	----	--------	----	--------	----	--------	----	--------	----	--------	----	--------	----	--------	----	--------	----	--------	----	--------

PLAN	DATE
BY	
CHECKED	
APPROVED	
NOTE BOOK	
ALIGNMENT CHECKED	
RT. OF WAY CHECKED	

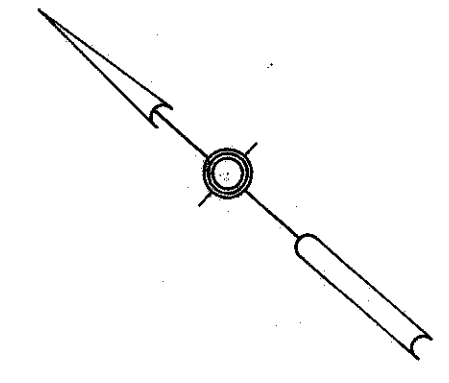
PROFILE	DATE
BY	
CHECKED	
APPROVED	
NOTE BOOK	
ALIGNMENT CHECKED	
RT. OF WAY CHECKED	

For any Questions Please Contact ODOT District 2 Real estate at 418-353-9131

MICROFILMED  
MAY 20 1985

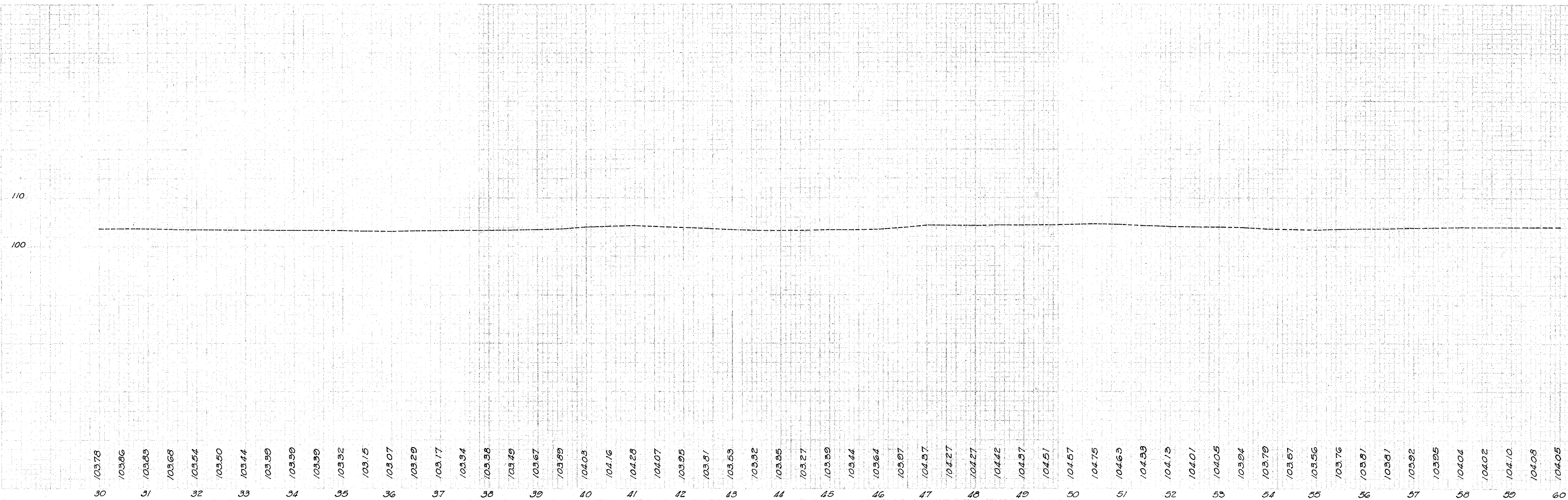
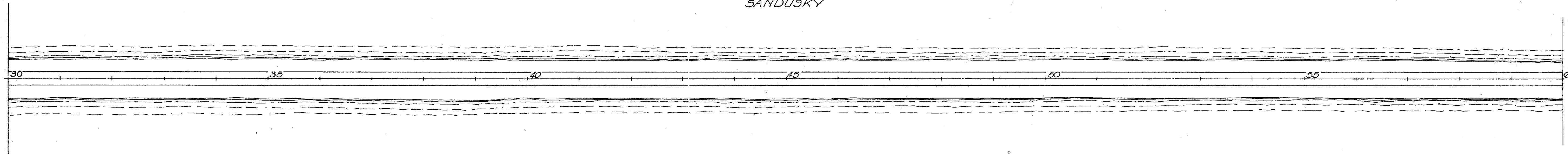
FILE NO.	PROJECT	YEAR	SHEET NO.
10	OHIO	1942	4

OTTAWA & ERIE COUNTIES  
S.H. 569 SEC. B - PLYMOUTH BAY BRIDGE.



SANDUSKY

BAY



30 103.78  
31 103.86  
32 103.89  
33 103.68  
34 103.54  
35 103.50  
36 103.44  
37 103.99  
38 103.99  
39 103.99  
40 103.92  
41 103.15  
42 103.07  
43 103.29  
44 103.17  
45 103.34  
46 103.38  
47 103.49  
48 103.67  
49 103.89  
50 104.03  
51 104.16  
52 104.23  
53 104.07  
54 103.95  
55 103.81  
56 103.53  
57 103.92  
58 103.55  
59 103.27  
60 103.59  
103.44  
103.64  
103.97  
104.37  
104.27  
104.27  
104.42  
104.37  
104.51  
104.57  
104.75  
104.63  
104.33  
104.13  
104.01  
104.05  
103.94  
103.79  
103.67  
103.56  
103.76  
103.81  
103.81  
103.92  
103.95  
104.04  
104.02  
104.10  
104.08  
104.05

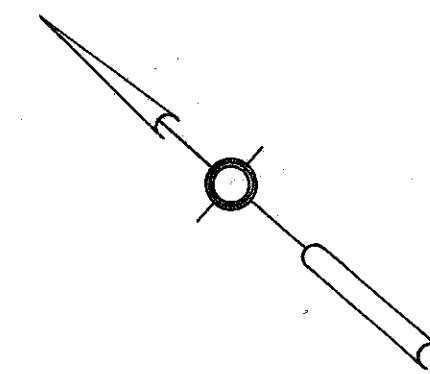
PLAN	SURVEYED	BY	DATE
NOTE BOOK	PLOTTED		
No.	GRADES CHECKED		
	BY DAY CHECKED		

PROFILE	SURVEYED	BY	DATE
NOTE BOOK	GRADES CHECKED		
No.	BY DAY CHECKED		
	SIGNATURE NOTATION		

For any Questions Please Contact ODOT District 2 Real estate at 418-353-8131

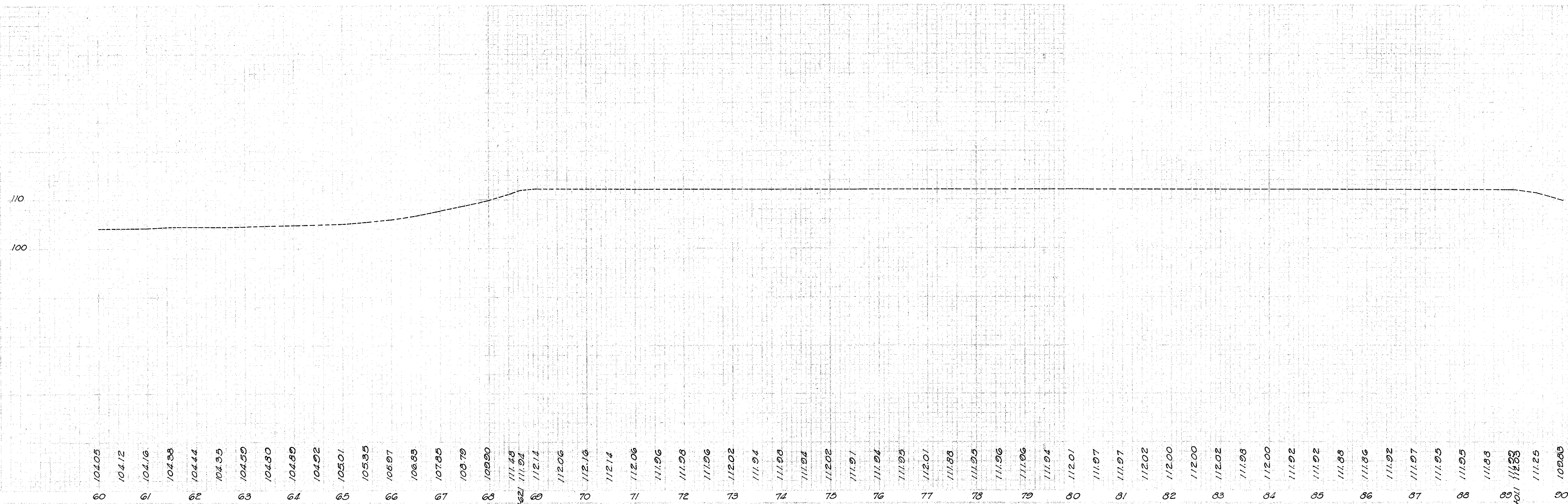
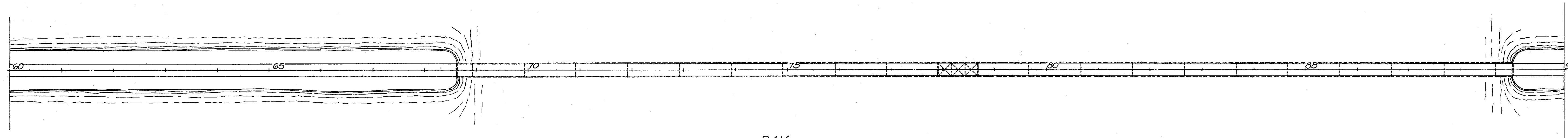
MICROFILMED  
MAY 20 1985

7  
5  
7  
10 OHIO 1042  
OTTAWA & ERIE COUNTIES  
S.H. 560 SEC. 8 - Pt & BAY BRIDGE.



SANDUSKY

BAY

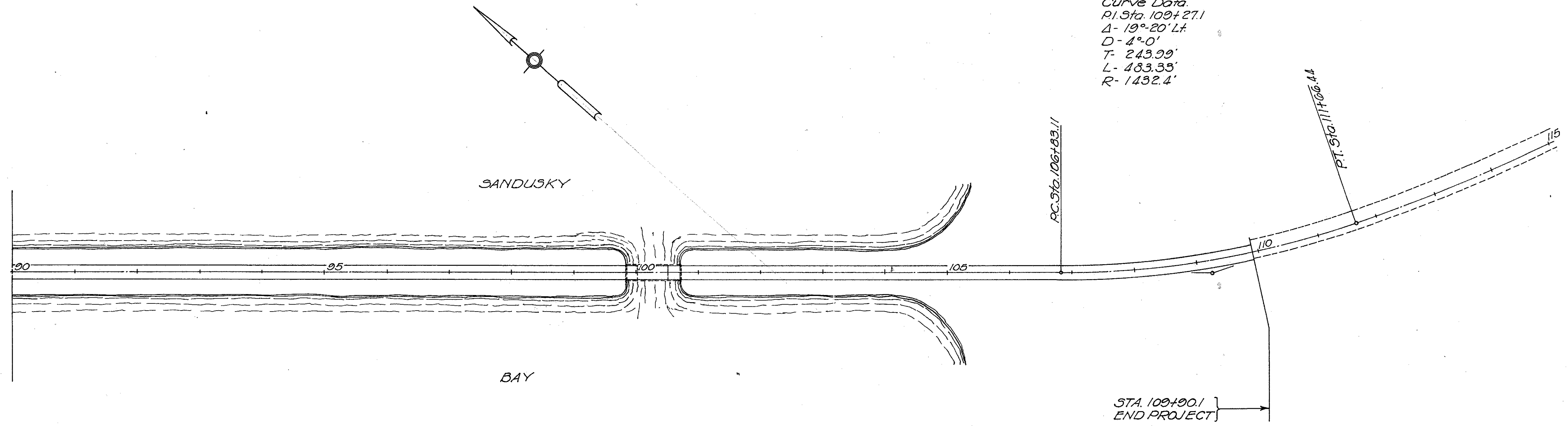


For any Questions Please Contact ODOT District 2 Real Estate at 419-353-9131

PLAN	DATE
SURVEYED	
PLOTTED	
NOTE BOOK	
NO.	
CHECKED	
PT. OF WAY CHECKED	

PROFILE	DATE
SURVEYED	
PLOTTED	
NOTE BOOK	
NO.	
CHECKED	
STRUCTURE NOTATION CHECKED	

MICROFILMED  
MAY 20 1984



DATE	BY	PLAN
		NO. 1
		NO. 2
		NO. 3
		NO. 4
		NO. 5
		NO. 6
		NO. 7
		NO. 8
		NO. 9
		NO. 10

DATE	BY	PROF.
		NO. 1
		NO. 2
		NO. 3
		NO. 4
		NO. 5
		NO. 6
		NO. 7
		NO. 8
		NO. 9
		NO. 10

