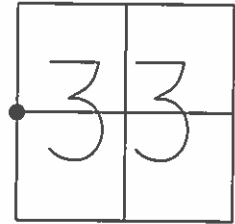


O.D.O.T. DISTRICT 2 SURVEY OFFICE (USE ONLY)

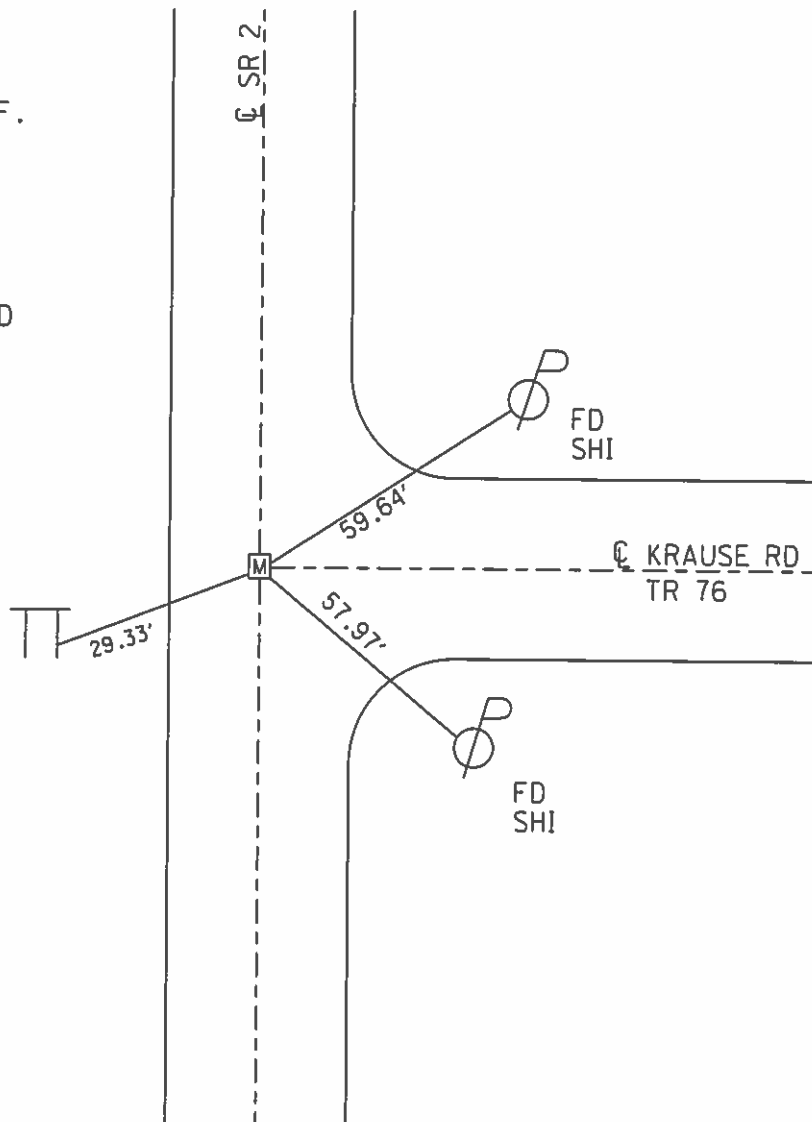
PERSONNEL _____ REFERENCE NO. 3 SHEET 3 OF 38
 NOTES RHOADES DATE 6/24/15 ROUTE SR 2
 H.C. O'DONNELL WEATHER FAIR COUNTY OTTAWA
 R.C. RHOADES TEMP. 70° TOWNSHIP BENTON
 _____ SECTION 33
 _____ T 8 N R 14 E

TYPE MONUMENT MONBOX
 ON SURFACE - ~~BELOW~~ ON
 LEFT - ☉ PAV'T - RIGHT ON
12.5' TO LT EDGE PAVEMENT
 S.L.M. 42+22.61



GRID: NORTHING: 709406.804 EASTING: 1760679.942

RECORD:
 STA. 42+22.98
 SET P.K./WASHER
 ATOP BRASS MON.
 2 1/2" BELOW SURF.
 1/4/83, CRONIN
 FD MAG NAIL
 GPS, REF3
 11/22/11, SAH
 FD MAG NAIL
 4/17/13, SDC
 MONBOX INSTALLED
 W/ 1" IPIN
 GPS, NEWREF3
 6/24/15, JFO



1' UP, NEAR EDGE
 ROAD SIGN
 "KRAUSE RD"

LUCAS CO.
OTTAWA CO. TR 3
FO BRASS DISK

NW CORNER SECTION 28 T8N R14E

USE FO. BRASS MONUMENT

N= 713,628.7148 E= 1,760,754.6726

1574.87'

2

2647.77'

NW CORNER SECTION 33 T8N R14E

USE FO. BRASS MONUMENT (0.51' BELOW SURFACE)

N= 712,054.085 E= 1,760,727.192

3

TR 76
FO BRASS DISK

W 1/4 POST SECTION 33 T8N R14E

USE FO. BRASS MONUMENT (0.53' BELOW SURFACE)

N= 709,406.787 E= 1,760,679.966

2673.24'

S2S7A

S2R2

4

FO IRON PIN
IN METAL BOX

NOTE TO SET IRON PIN IN MONUMENT BOX

① NW CORNER SECTION 28 T8N R14E

② NW CORNER SECTION 33 T8N R14E

③ W 1/4 POST SECTION 33 T8N R14E

3 PINS & BOXES NEEDED

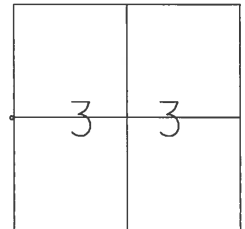
OR

3 MODIFIED BOXES

O.D.O.T. DISTRICT 2 SURVEY OFFICE (Use Only)

PERSONNEL	REFERENCE NO. <u>3</u>	SHEET <u> </u> OF <u> </u>
NOTES <u>Finger</u>	DATE <u>6/21/11</u>	ROUTE <u>2</u>
H.C. <u>Rousos</u>	WEATHER <u>Sunny</u>	COUNTY <u>Ottawa</u>
R.C. <u>Finger</u>	TEMP. <u>80° F</u>	TOWNSHIP <u>Benton</u>
		SECTION <u>33</u>
		T <u>8</u> N R <u>14</u> E

TYPE MONUMENT Mag Nail
 ON SURFACE - ~~BELOW~~ Surface
 LEFT - ℄ PAV'T - RIGHT
 TO EDGE PAVEMENT
 S.L.M. 0.80

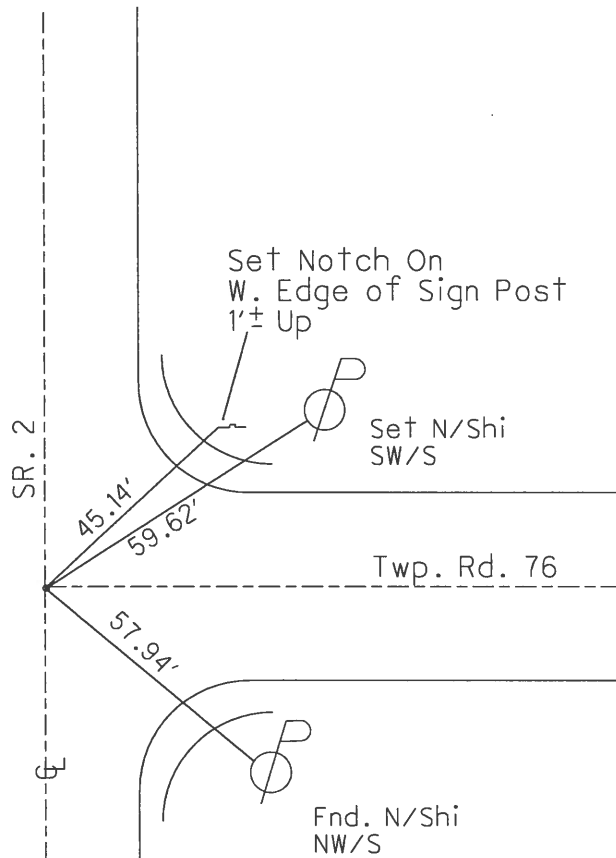


Grid: Northing: 709406.802 Easting: 1760679.819

Record

Sta. 42+22.98
 Set PK. & Washer
 atop Brass Monument
 (2.5' below surface)

Found Mag
 6/21/11



County Ottawa S.R. # 2

Date ~~1/4/02~~ 6/21/11

Township Benton

Weather sunny ✓

Section 33

Temp. ~~30°~~ 80°

T&N, R14E

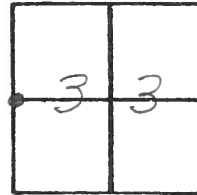
Personnel Cronin Finger

Ripple Rouso

Geyman

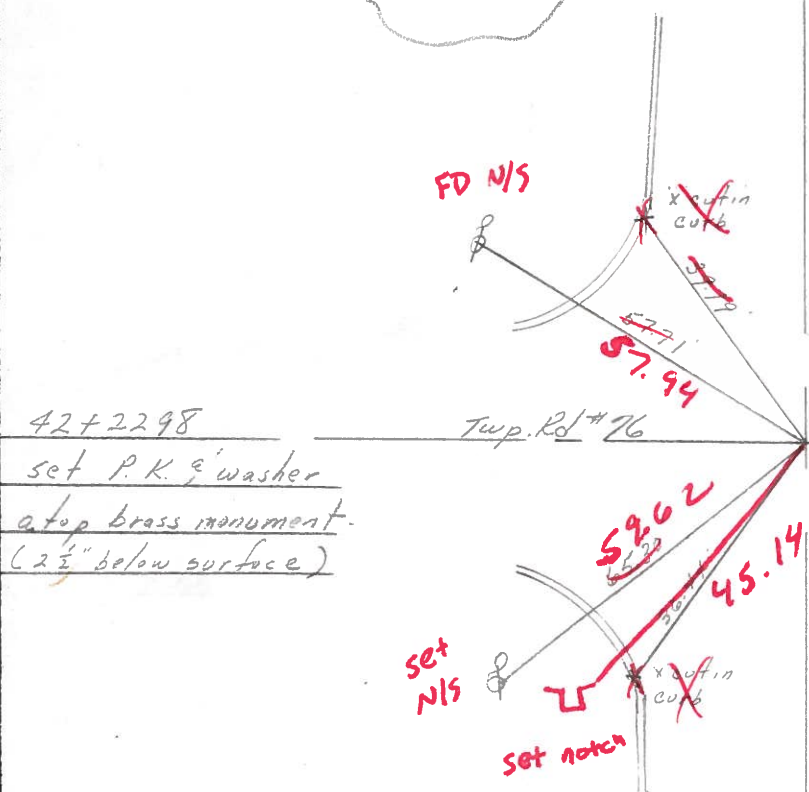
Barbour

3



GPS
REF OTT 3
6/21/11

OK
NO NEED to
Reset
11/2/11



set P.K. & washer
atop brass monument.
(2 1/2" below surface)

FD ~~MAC~~ MAC
6/21/11 EAF

S.R. # 2

County Ottawa S.R. # 2

Date 1/4/82

Township Benton

Weather sunny

Section 33

Temp. 30°

T8N, R14E

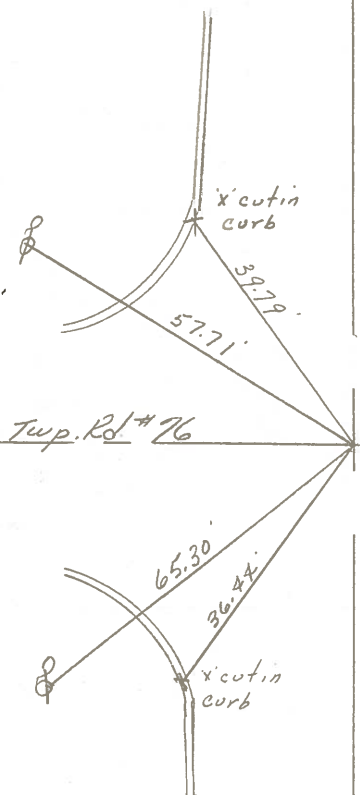
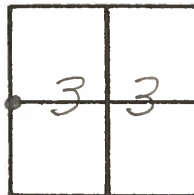
Personnel Cronin

Ripple

Geyman

Barbour

3

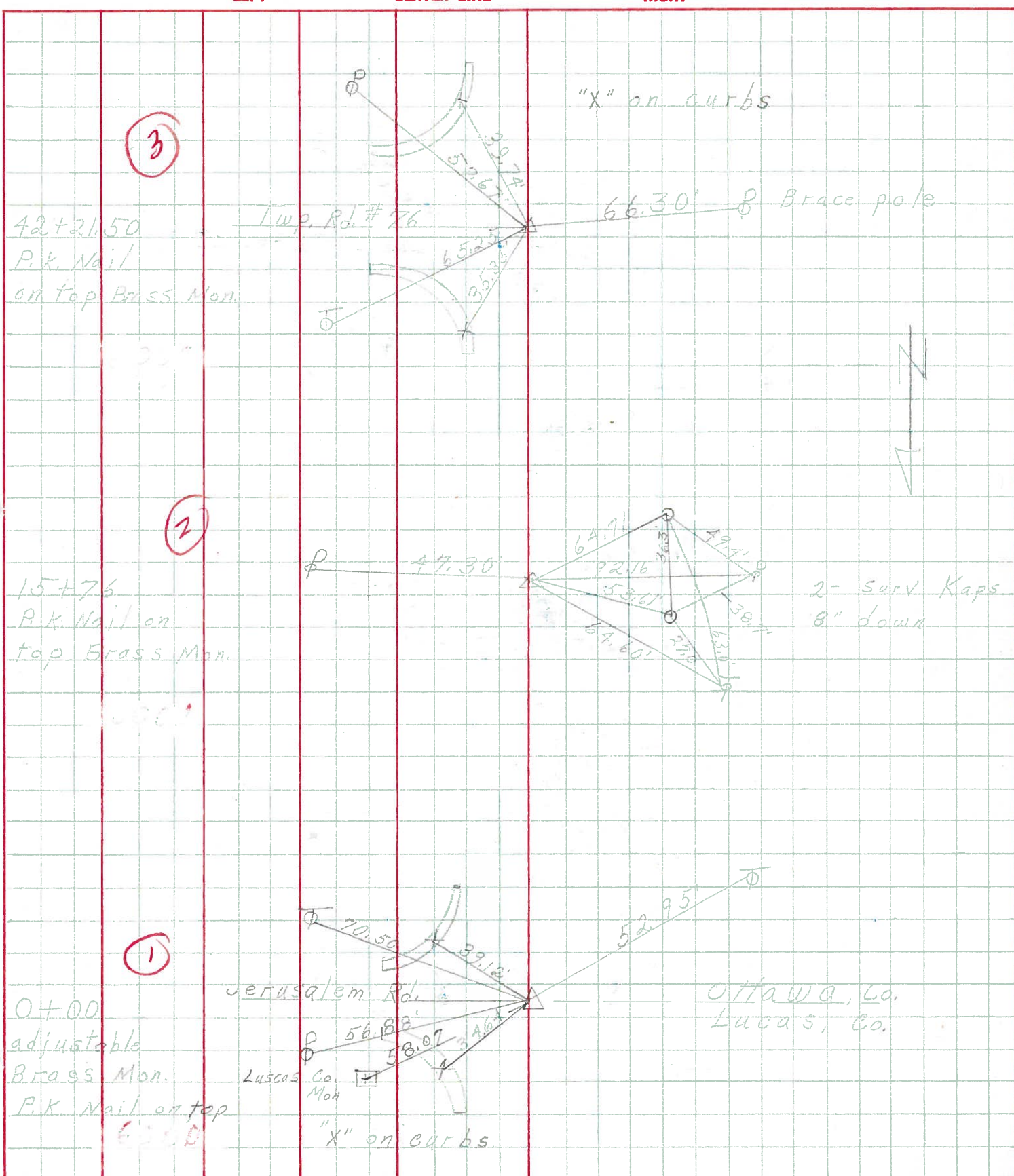


42+22.98
set P.K. & washer
atop brass monument.
(2 1/2" below surface)

S.R. # 2

PERSONNEL TITLE PERSONNEL TITLE COUNTY Ottawa DATE 5-9-68
Schneider _____ Mosser _____ S. R. 2 WEATHER Cloudy - windy
Barbour _____ Datts _____ SEC. Lucas Co. Line - East TEMP. 70°

DESCRIPTION Ties for Control Points JOB NO. _____



PERSONNEL _____ TITLE _____ PERSONNEL _____ TITLE _____
 COUNTY OHawa DATE _____
 S. H. 2 WEATHER _____
 SEC. _____ TEMP. _____

DESCRIPTION LEFT CENTER LINE RIGHT

