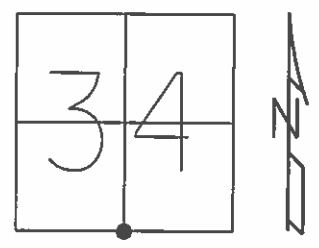


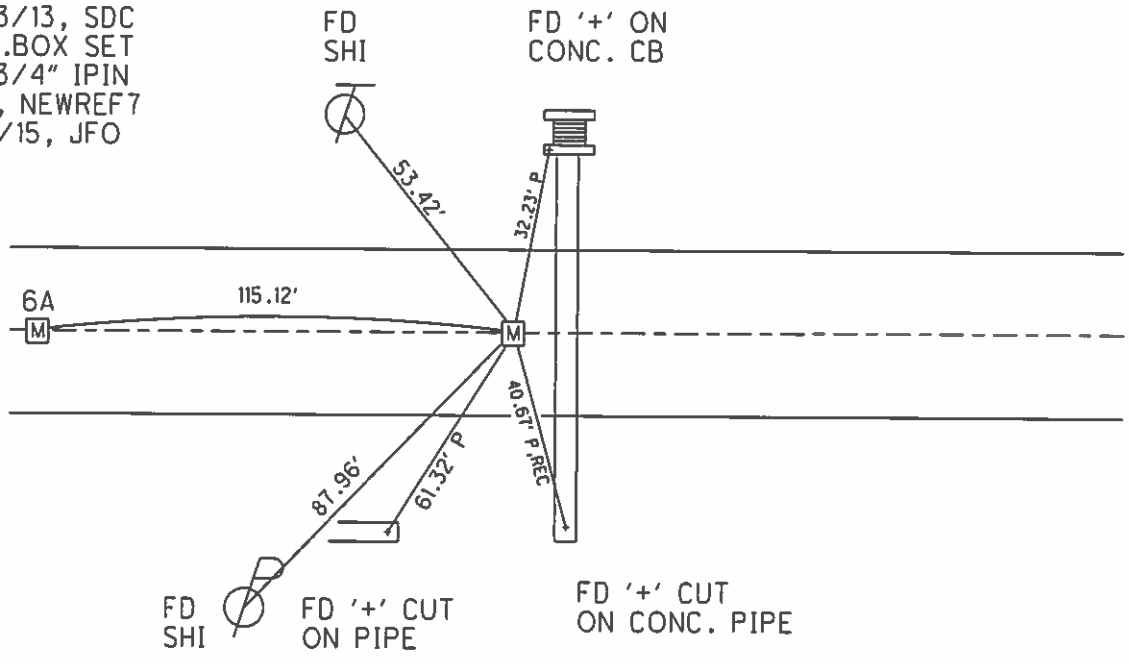
O.D.O.T. DISTRICT 2 SURVEY OFFICE (USE ONLY)

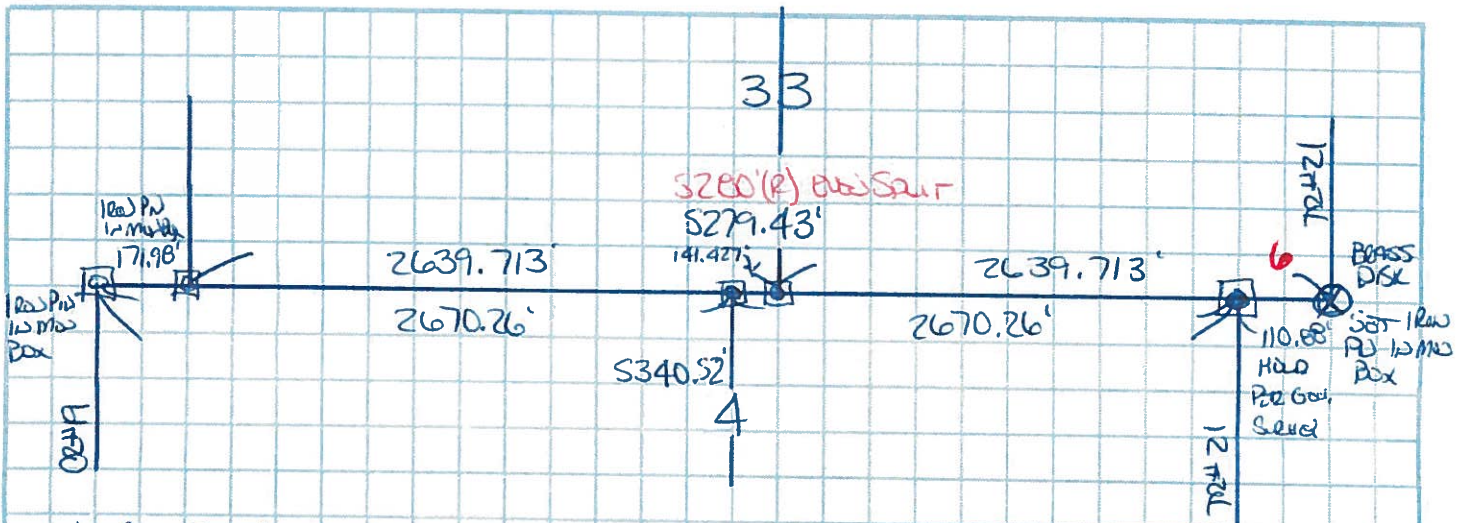
PERSONNEL _____ REFERENCE NO. 7 SHEET 12 OF 38
 NOTES RHOADES DATE 6/24/15 ROUTE SR 2
 H.C. O'DONNELL WEATHER FAIR COUNTY OTTAWA
 R.C. RHOADES TEMP. 70° TOWNSHIP BENTON
 _____ SECTION 34
 _____ T 8 N R 14 E

TYPE MONUMENT MONBOX
 ON SURFACE - ~~BELOW~~ ON _____
 LEFT - ☉ PAV'T - RIGHT ON _____
11.3' TO RT EDGE PAVEMENT
 S.L.M. 143+49.20
 GRID: NORTHING: 706674.830 EASTING: 1768566.896



RECORD:
 STA. 143+43
 SET P.K./WASHER
 ATOP P.K.NAIL
 FD P.K./WASHER
 GPS, REF7
 11/25/11, MC
 FD P.K.NAIL
 4/23/13, SDC
 MON.BOX SET
 W/ 3/4" IPIN
 GPS, NEWREF7
 10/1/15, JFO





NE COR SEC 4 - ESTABLISH ONLINE SE COR TO SW COR SEC 33 TBN R14E HADING 110.88' PER ORIGINAL CONVEYANCE SURVEY

N = 706,716.4748 E = 1,765,802.1266

N 1/4 POST SEC 4 - ESTABLISH ONLINE @ SINGLE PROPORTIONATE MEASUREMENT FROM NE COR TO NW COR SECTION 4. POINT IS A CLOSING CORNER & SHALL BE SET ON S. LINE SEC 33 TBN R14E.

N = 706,725.4530 E = 1,763,131.8817

S 1/4 POST SEC 33 - ESTABLISH ONLINE SE CORNER TO SW CORNER SEC 33 TBN R14E USING SINGLE PROPORTIONATE MEASURE.

N = 706,724.9775 E = 1,763,273.3079

SE COR SEC 33 - USE BRASS DISK (0.57' BELOW SURFACE)

N = 706,716.102 E = 1,765,913.006

NEED TO SET 1/2\"/>

* BRASS DISK @ SE COR SEC 33 IS 0.57' BELOW SURFACE.

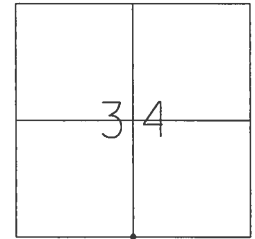
* 1/4 POSTS WILL BE SURM OF OLD CONCRETE ROAD.

4 PINS & BOXES NEEDED
OR
3 PINS & 3 BOXES + 1 MODIFIED BOX

O.D.O.T. DISTRICT 2 SURVEY OFFICE (Use Only)

PERSONNEL	REFERENCE NO. <u>7</u>	SHEET <u> </u> OF <u> </u>
NOTES <u>Finger</u>	DATE <u>6/21/11</u>	ROUTE <u>SR. 2</u>
H.C. <u>Rousos</u>	WEATHER <u>Sunny</u>	COUNTY <u>Ottawa</u>
R.C. <u>Finger</u>	TEMP. <u>86°F</u>	TOWNSHIP <u>Benton</u>
		SECTION <u>34</u>
		T <u>8</u> N R <u>14</u> E

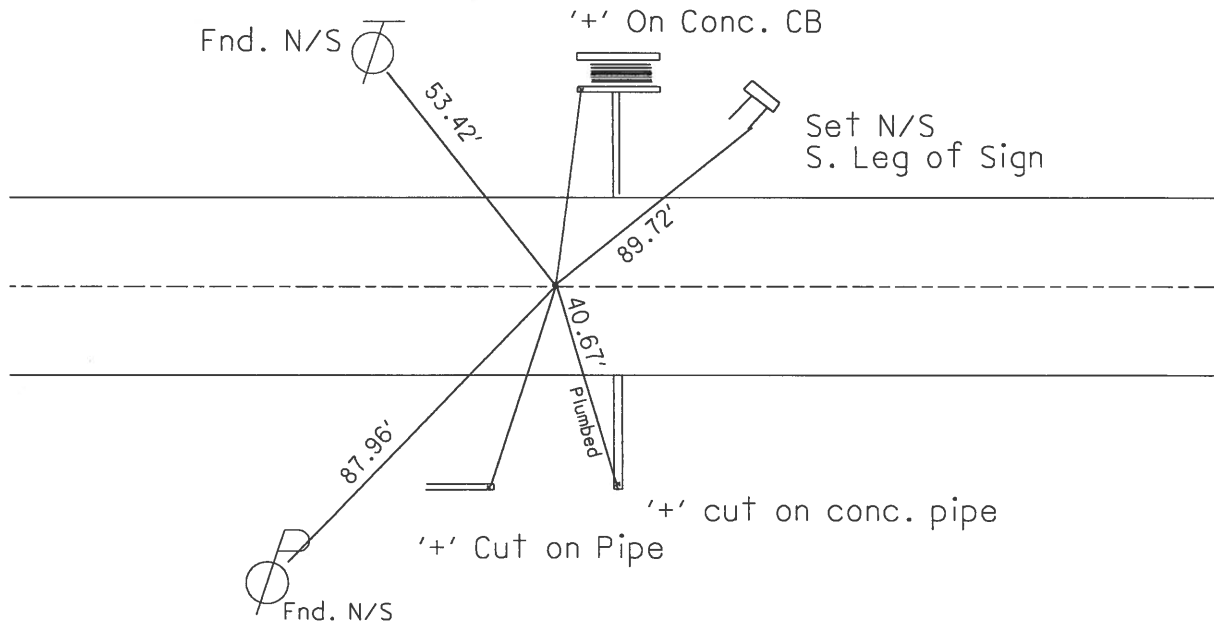
TYPE MONUMENT P.K. Nail
 ON SURFACE - ~~BELOW~~ Surface
 LEFT - ☉ PAV'T - RIGHT
 TO EDGE PAVEMENT
 S.L.M. 2.71



Grid: Northing: 706674.830 Easting: 1768566.896

Record

Sta. 143+43
 Set PK. & Washer
 Atop PK.
 Fnd. PK. 6/21/11



QD.O.T. DISTRICT 2 SURVEY OFFICE

Sht. 7 of

County Ottawa S.R.#2

Date ~~1/4/83~~ 6/21/11

Township Benton

Weather sunny - ~~windy~~

Section 34

Temp. ~~35~~ 86°

T8N, R4E

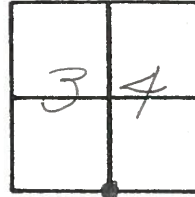
Personnel Cronin Finger

Ripple Rouses

Geyman

Barbour

7



GPS
REF OTT 7
6/21/11

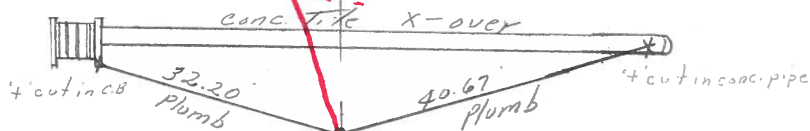
No need
to
re set
11-2-11

200
6/21/11

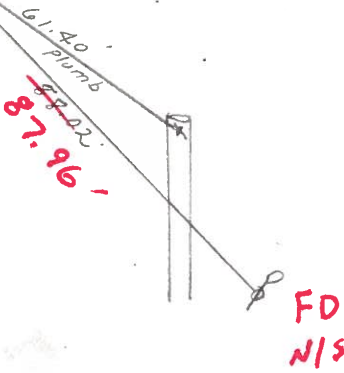
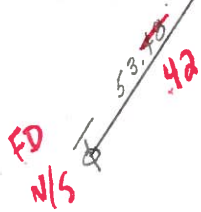
FD PK
6/21/11 EAF

set N/S
S. Leg of sign

89.72'



143+43
Set P.K. & washer
atop P.K.



S.R.#2

County Ottawa S.L.#2

Date 1/4/83

Township Benton

Weather sunny-windy

Section 34

Temp. 35°

T8N, R4E

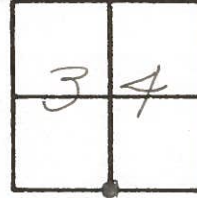
Personnel Cronin

Ripple

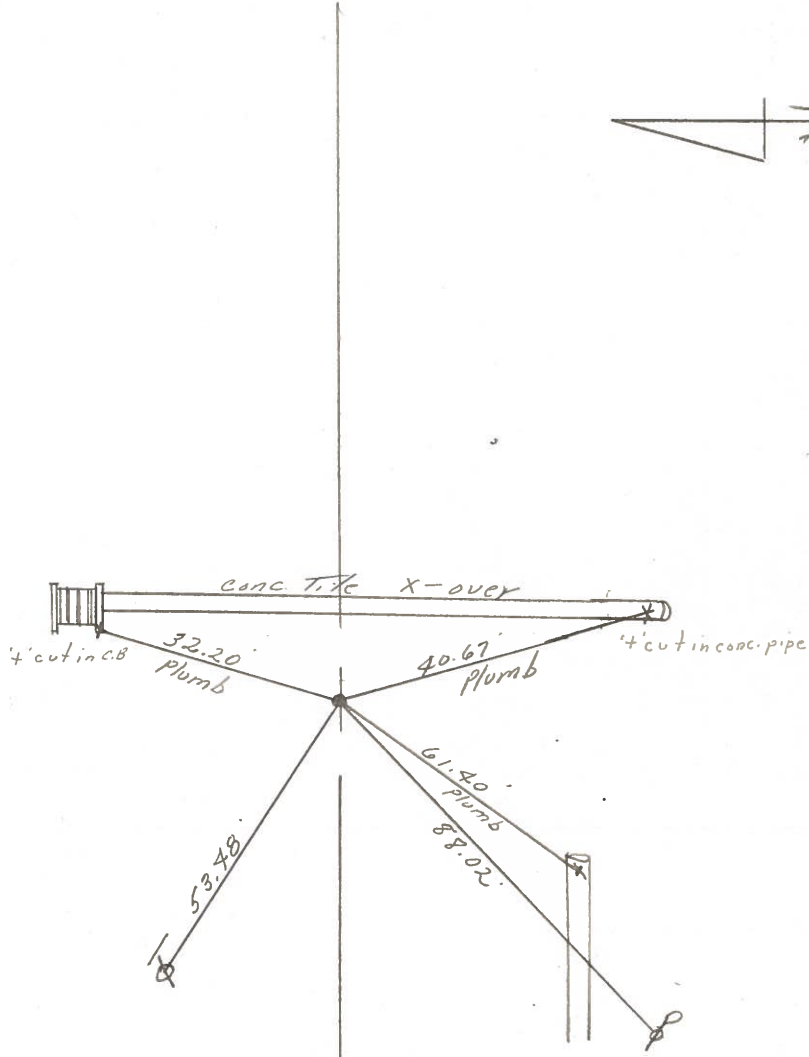
Geyman

Barbour

7



143+43
Set P.K. & washer
atop P.K.



S.L.#2

PERSONNEL	TITLE	PERSONNEL	TITLE
Schneider		Redding	
Mosser			
Barbour			
Potts			

COUNTY Ottawa DATE 5-15-68
 S. R. 2 WEATHER Partly-Cloudy
 SEC. Lucas Co. Line - East TEMP. 80°

DESCRIPTION Ties for Control Points JOB NO. _____

