

O.D.O.T. DISTRICT 2 SURVEY OFFICE (USE ONLY)

PERSONNEL	REFERENCE NO.	<u>23</u>	SHEET	<u>31</u>	OF	<u>38</u>
NOTES	<u>RHOADES</u>	DATE	<u>10/6/15</u>	ROUTE	<u>SR 2</u>	
H.C.	<u>O'DONNELL</u>	WEATHER	<u>CLEAR</u>	COUNTY	<u>OTTAWA</u>	
R.C.	<u>RHOADES</u>	TEMP.	<u>65°</u>	TOWNSHIP	<u>CARROLL</u>	
				SECTION	<u>3</u>	
				T	<u>7</u>	R
					<u>15</u>	E

TYPE MONUMENT MON.BOX

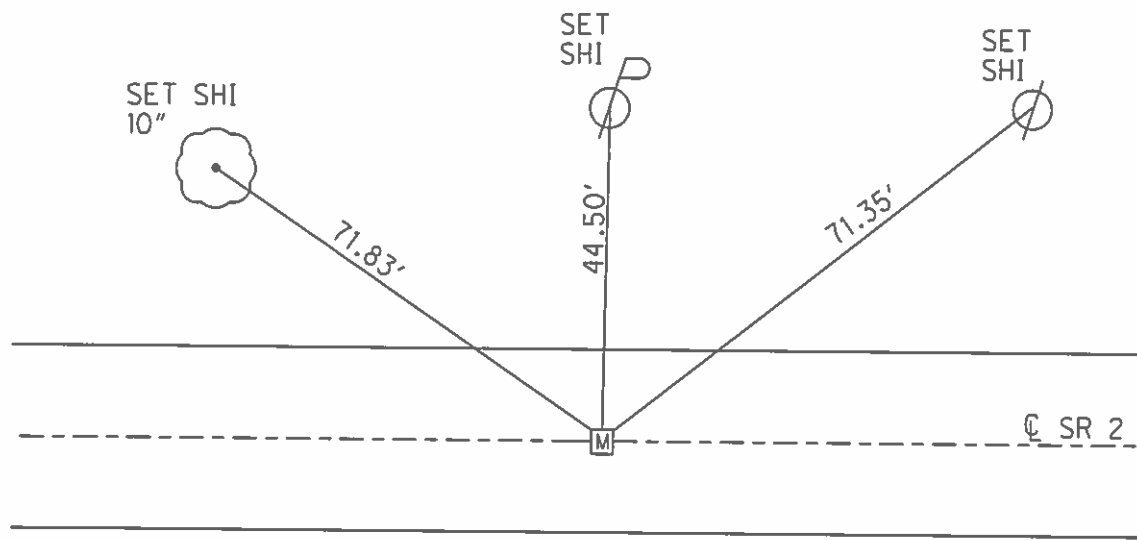
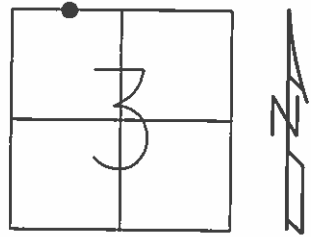
ON SURFACE - ~~BELOW~~ ON

LEFT - ☉ PAV'T - RIGHT ON

11.6' TO RT EDGE PAVEMENT

S.L.M. 461+96.67

GRID: NORTHING: 706344.874 EASTING: 1800409.783



RECORD:  
 FD MON.BOX  
 GPS, REF23  
 11/28/11, MC  
 MON.BOX SET  
 W/ 1" SQ.IPIN  
 GPS, NEWREF23  
 10/6/15, JFO