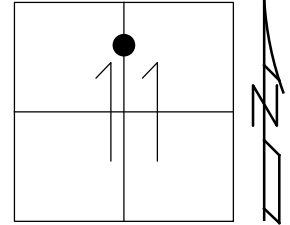


O.D.O.T. DISTRICT 2 SURVEY OFFICE (USE ONLY)

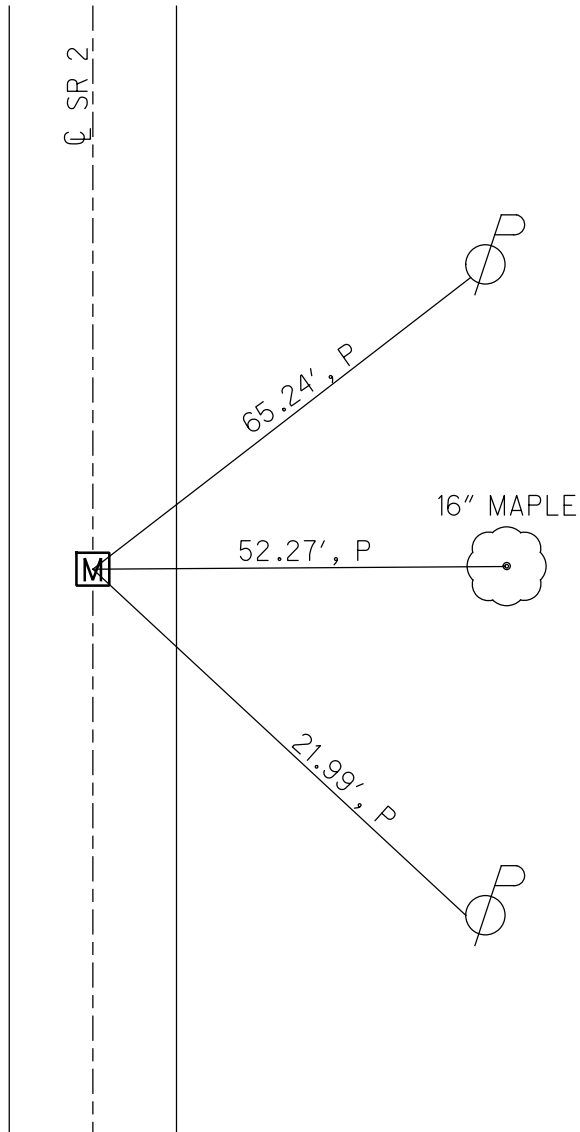
PERSONNEL _____ REFERENCE NO. 30 A SHEET 2 OF 25
 NOTES SCHNEIDER DATE 3/19/80 ROUTE SR 2
 H.C. MOSSER WEATHER FAIR COUNTY OTTAWA
 R.C. BARBOUR TEMP. 35° TOWNSHIP CARROLL
RIPPLE, GEYMAN
 DWG BY NIESE PID 95755 SECTION 11
 T 7 N R 15 E

TYPE MONUMENT MONBOX
 ON SURFACE - ~~BELOW~~ ON
 OFFSET \varnothing PAVEMENT - LT : RT
- TO - EDGE PAVEMENT
 STATION: 561+26.98

HORZ. DATUM: NAD83(2011) GEOID: 2012A
 GRID: NORTHING: 700445.030 EASTING: 1805290.139



RECORD: P.C.
 STA 568+49.50
 FD 1" IPIN
 3/19/80, BARBOUR
 FD MONBOX
 W/ 1" IPIN
 REF23
 4/1/19, JFO
 FD MONBOX
 W/ 1" IPIN
 REF30A
 2-8-23, TDN



O.D.O.T. DISTRICT 2 SURVEY OFFICE (USE ONLY)

PERSONNEL

REFERENCE NO. 30 A

SHEET 2 OF 25

NOTES SCHNEIDER
 H.C. MOSSER
 R.C. BARBOUR
RIFFLE, GEYMAN

DATE 3/19/80
 WEATHER FAIR
 TEMP. 35°

ROUTE SR 2
 COUNTY OTTAWA
 TOWNSHIP CARROLL
 SECTION 11
 T 7 N R 15 E

DWG BY NIESE PID 107060

TYPE MONUMENT MONBOX

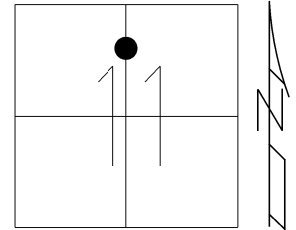
ON SURFACE - ~~BELOW~~ ON

OFFSET \odot PAVEMENT - LT : RT
 TO EDGE PAVEMENT

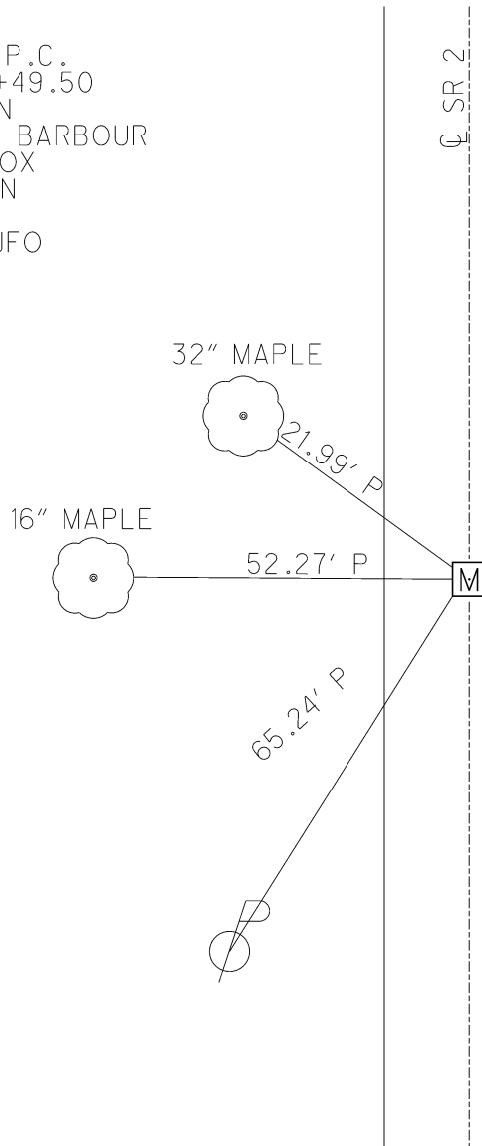
STATION: 561+26.98

HORZ. DATUM: NAD83(2011) GEOID: 2012A

GRID: NORTHING: 700445.030 EASTING: 1805290.139



RECORD: P.C.
 STA 568+49.50
 FD 1" IPIN
 3/19/80, BARBOUR
 FD MONBOX
 W/ 1" IPIN
 REF23
 4/1/19, JFO



ODOT. DISTRICT 2 SURVEY OFFICE

Sht. of

County Franklin S.R. #2

Date 3-19-50

Township Roll

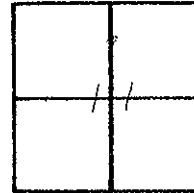
Weather Fair

Section 11

Temp. 35

T₂N, R₁E

Personnel Carroll
Moss
Burhan
Ripke
Chewer

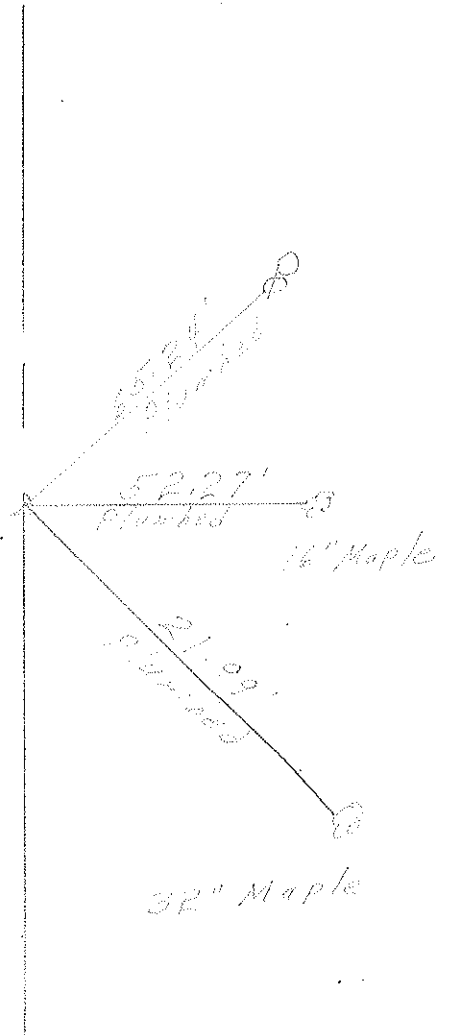


P.I.

568 + 99.5

1" Iron Pin

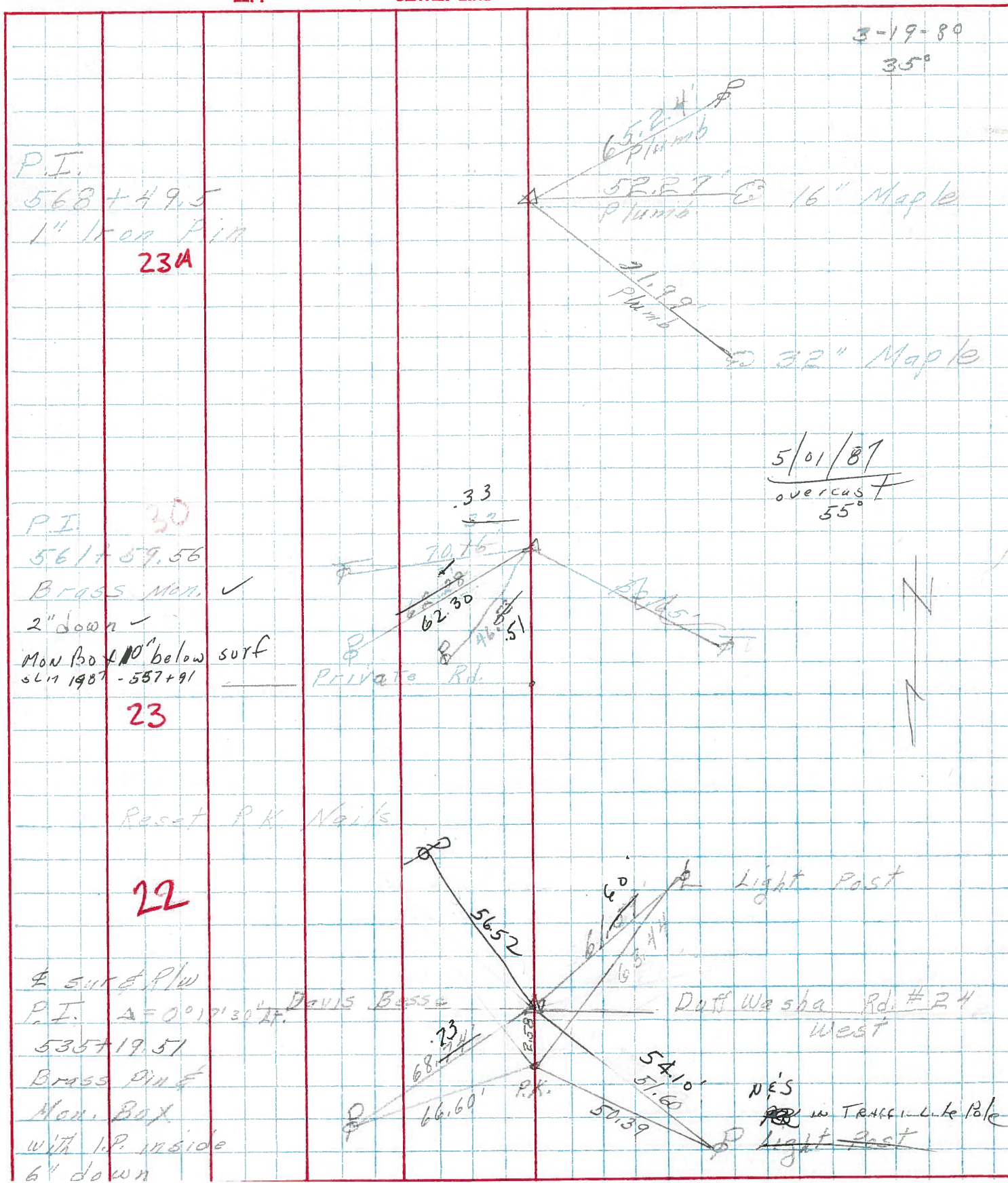
⊙ S.R. #2



PERSONNEL	TITLE	PERSONNEL	TITLE
Schneider			
Barbour			
Ripple			
Geyman			

COUNTY Ottawa DATE 7-18-74
 S. R. 2 WEATHER SUNNY
 SEC. 2 TEMP 85°

DESCRIPTION Carroll Twp SR # 19 E. JOB NO. _____



3-19-80
35°

5/01/87
overcast
55°



Private Rd.

Light Post

Duff Washa Rd. # 24 West

N.E.S
in TRACER-Like Pole
Light Post

DAVIS BESSIE

P.K.

P.K.