

O.D.O.T. DISTRICT 2 SURVEY OFFICE (USE ONLY)

PERSONNEL _____

REFERENCE NO. 30 L

SHEET 13 OF 25

NOTES RHOADES DATE 9-8-20
 H.C. O'DONNELL WEATHER CLOUDY
 R.C. AUBLE TEMP. 70°

ROUTE SR 2
 COUNTY OTTAWA
 TOWNSHIP CARROLL
 SECTION 24
 T 7 N R 15 E

DWG BY NIESE PID 95755

TYPE MONUMENT P.K./WASHER

ON SURFACE - ~~BELOW~~ ON

OFFSET 8.6' TO RT PAVEMENT 3.4' ~~±~~ : RT
TO RT EDGE PAVEMENT

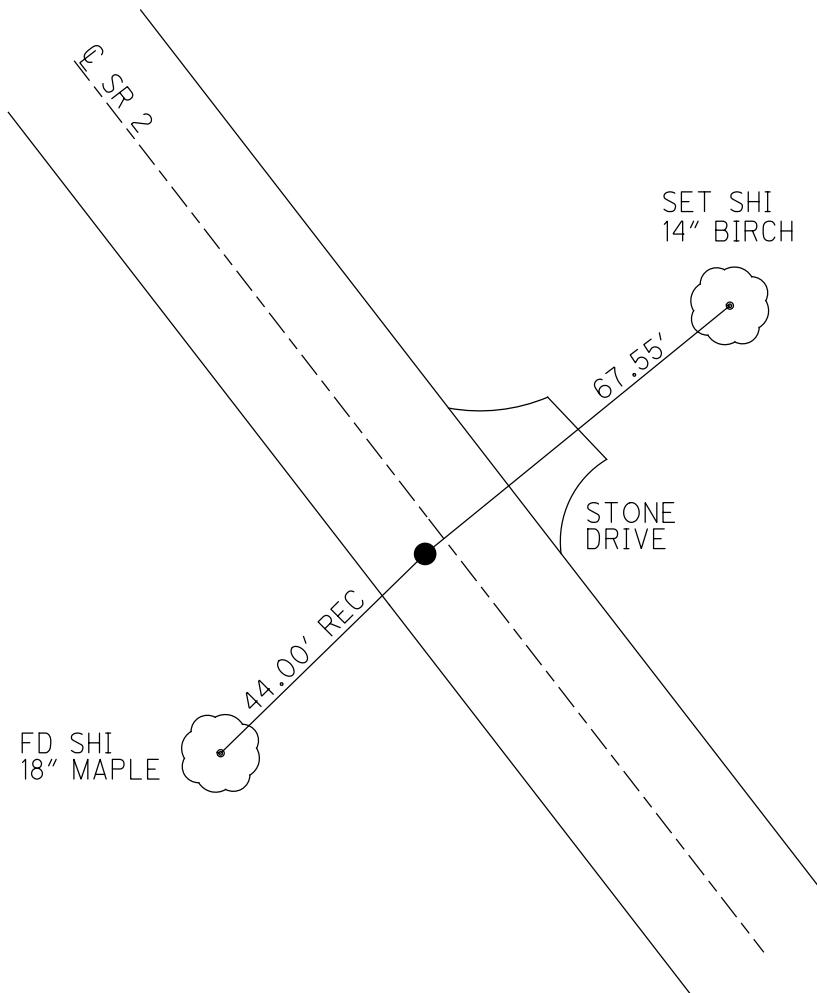
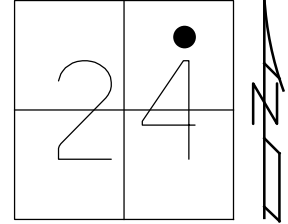
STATION: 689+88.18

HORZ.DATUM: NAD83(2011)

GEOID: 2012A

GRID: NORTHING: 689467.243

EASTING: 1811910.128

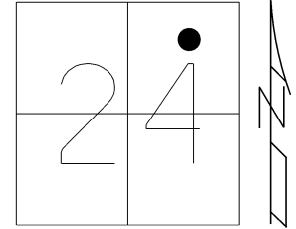


RECORD: P.I.
 STA 693+88
 SET P.K.NAIL
 ATOP P.K.NAIL
 ATOP SM.R.R.SPIKE
 3/20/80
 SET P.K./WASHER
 8/2/00, BVD
 REF30
 4/10/15, JLL
 FD P.K./WASHER
 REF30
 4/1/19, JFO
 DID NOT SET
 7-12-23, DSA

O.D.O.T. DISTRICT 2 SURVEY OFFICE (USE ONLY)

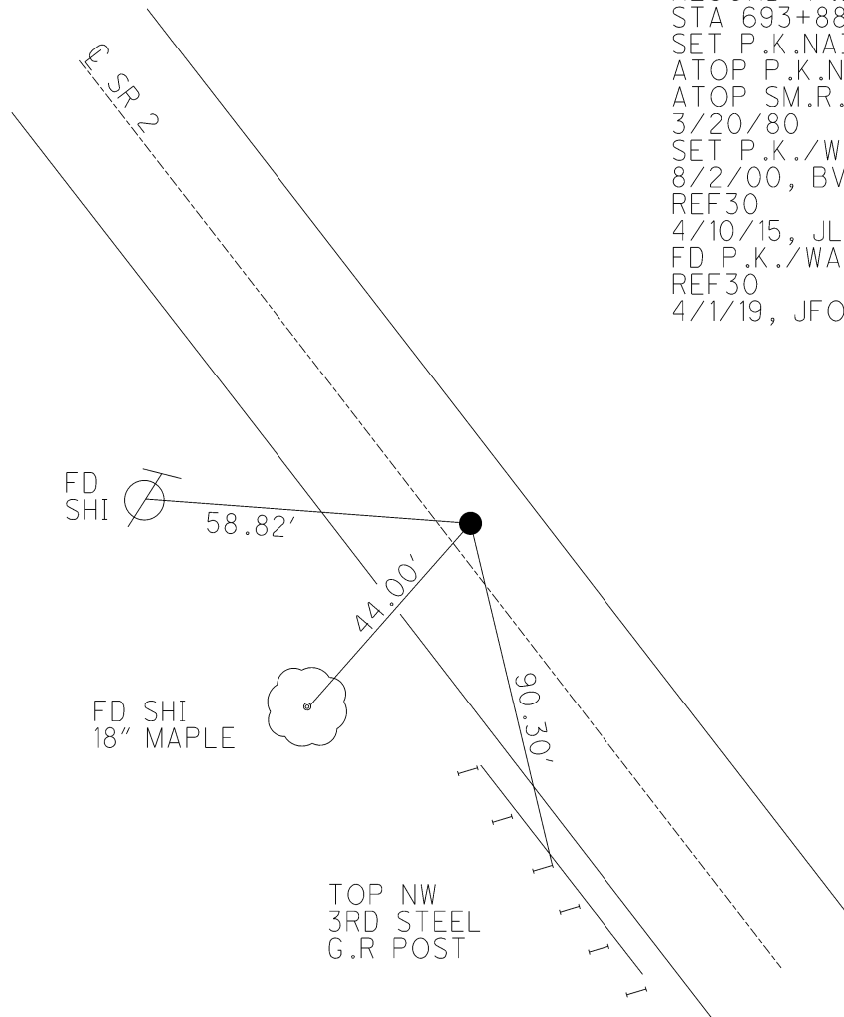
PERSONNEL _____ REFERENCE NO. 30 L SHEET 13 OF 25
 NOTES VAN DUSEN DATE 6/1/00 ROUTE SR 2
 H.C. CORDES WEATHER CLOUDY COUNTY OTTAWA
 R.C. BROWN TEMP. 70° TOWNSHIP CARROLL
 DWG BY NIESE PID 107060 SECTION 24
 T 7 N R 15 E

TYPE MONUMENT P.K./WASHER
 ON SURFACE - ~~BELOW~~ ON
 OFFSET ☉ PAVEMENT 3.4' ~~±~~ : RT
8.6' TO RT EDGE PAVEMENT
 STATION: 689+88.18



HORZ.DATUM: NAD83(2011) GEOID: 2012A
 GRID: NORTHING: 689467.243 EASTING: 1811910.128

RECORD: P.I.
 STA 693+88
 SET P.K.NAIL
 ATOP P.K.NAIL
 ATOP SM.R.R.SPIKE
 3/20/80
 SET P.K./WASHER
 8/2/00, BVD
 REF30
 4/10/15, JLL
 FD P.K./WASHER
 REF30
 4/1/19, JFO

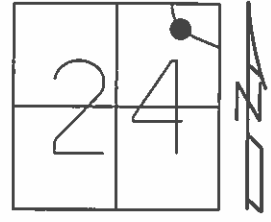


TOP NW
 3RD STEEL
 G.R POST

O.D.O.T. DISTRICT 2 SURVEY OFFICE (USE ONLY)

PERSONNEL _____ REFERENCE NO. 30 SHEET 7 OF 15
 NOTES VAN DUSED DATE 6-1-00 ROUTE SR 2
 H.C. CORDES WEATHER CLOUDY COUNTY OTTAWA
 R.C. BROWN TEMP. 70°F TOWNSHIP CARROLL
 _____ SECTION 24
 _____ T 7 N R 15 E

TYPE MONUMENT PK/WASHER
 ON SURFACE - ~~BELOW~~ ON _____
 LEFT - ☉ PAV'T - RIGHT 3.4'
8.6' TO RT EDGE PAVEMENT
 S.L.M. 694+37.97

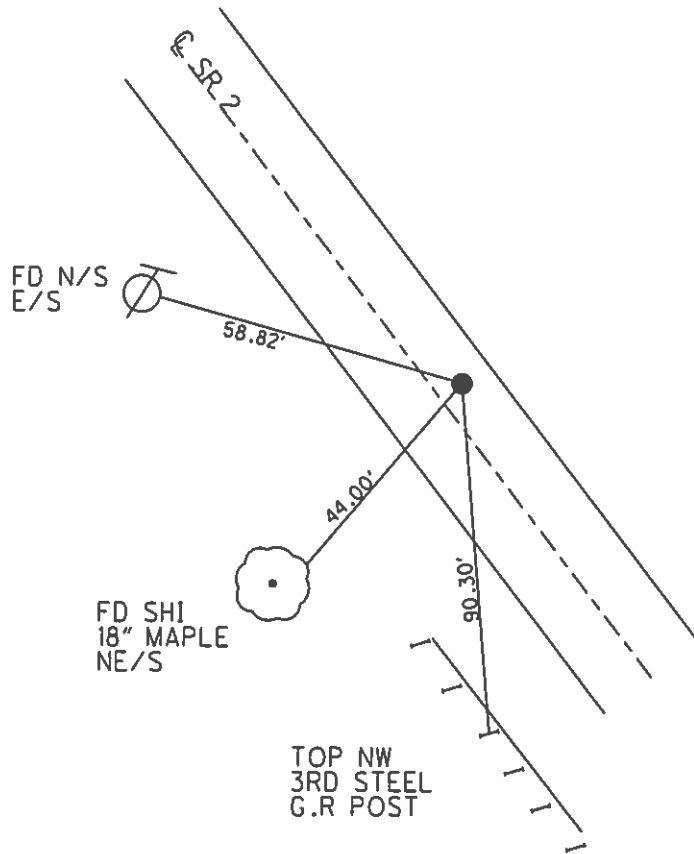


Grid: Northing: 689467.2426 Easting: 1811910.1280

RECORD
 P.I. OF SPIRAL
 STA. 693+88
 SET PK. NAIL
 ATOP PK. NAIL
 ATOP SM. RR. SPK.
 4' RT. OF ☉
 3-20-1980

SET PK/WASHER
 8-2-00, BVD

GPS, REF 30
 4-10-15, JLL



O.D.O.T. DISTRICT 2 SURVEY OFFICE

PERSONNEL

REFERENCE NO. 30

SHEET 7 OF 15

NOTES VAN DUSEN

H.C. CORDES

R.C. BROWN

DATE 6-1-2000

WEATHER cloudy

TEMP. +70°F

ROUTE #2

COUNTY OTTAWA

TOWNSHIP CARROLL

SECTION 25 24?

T 7 N R 15 E

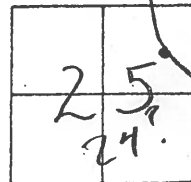
TYPE MONUMENT PK/WASHER

ON SURFACE - ~~BELOW~~ ON

~~LEFT~~ & PAV'T. - RIGHT 3.4'

8.6' TO RT. EDGE PAVEMENT

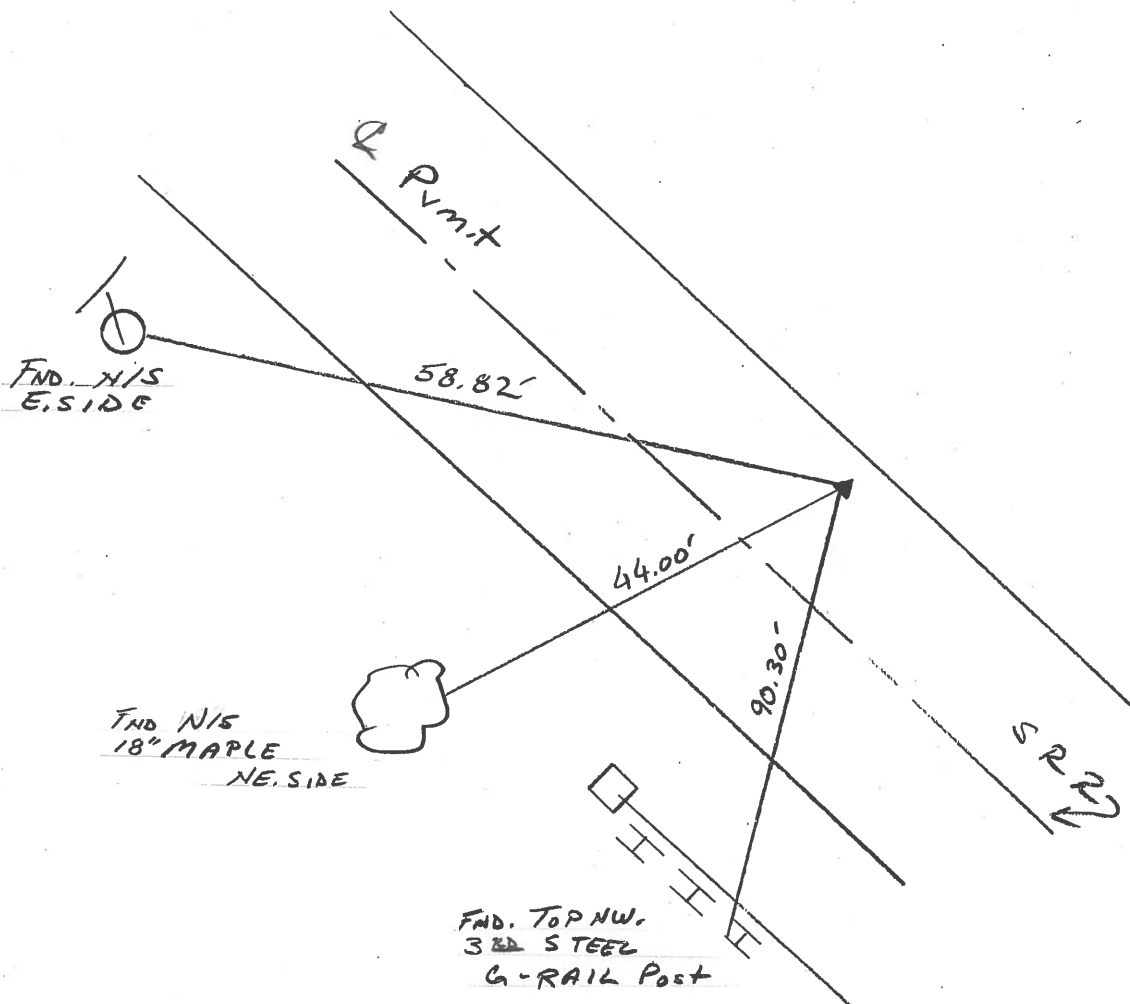
S.L.M. 694+33



RECORD: 3-20-1980

P.I. OF SPIRAL
 STA 693+88
 SET P.K. NAIL ATOP
 PENAIL ATOP
 SMALL RR SPIKE 4' RT. OF &

RESET PK/WASHER
8-2-00
BYD



O.D.O.T. DISTRICT 2 SURVEY OFFICE

PERSONNEL

REFERENCE NO. 30

SHEET 6 OF 13

NOTES CHENEY

H.C. FIPPLE

R.C. BARBOUR

GEYMAN

DATE 4-20-1993

WEATHER SUNNY

TEMP. 65°

ROUTE #2

COUNTY OTTAWA

TOWNSHIP CARROLL

SECTION 25

T 7 N R 15 E

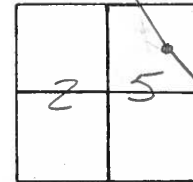
TYPE MONUMENT PK/WASHER

ON SURFACE - BELOW ON

~~LEFT~~ - PAV'T. - RIGHT 8.6'

3.4' TO RT. EDGE PAVEMENT

S.L.M. 694+33

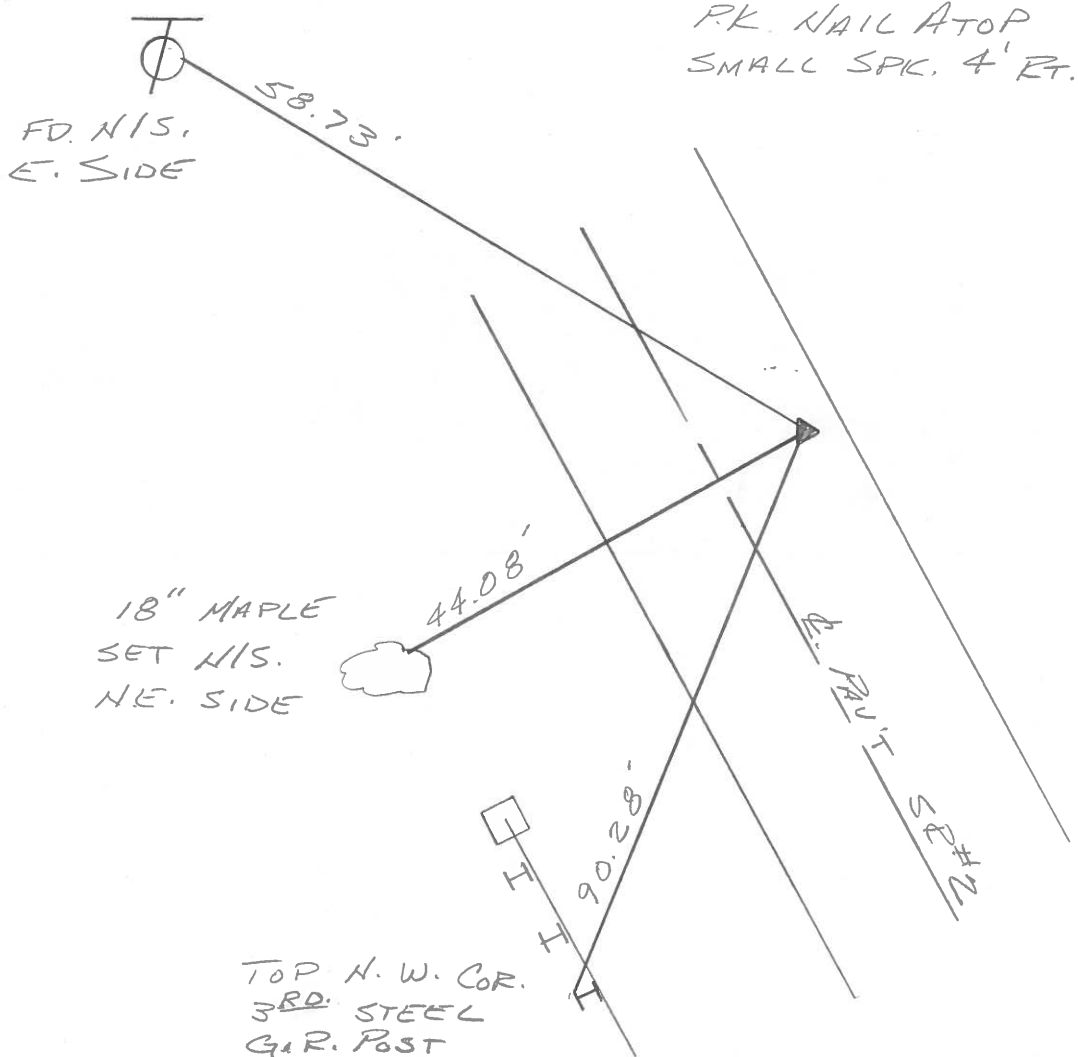


SET PK/WASHER
 6-14-1993
 RCC

RECORD: 3-20-1980

P.I. OF SPIRAL
 STA. 693+88

SET P.K. NAIL ATOP
 P.K. NAIL ATOP
 SMALL SPK. 4' RT. OF ϕ .



Q.D.O.T. DISTRICT 2 SURVEY OFFICE

Sht. of

County Ottawa S.R. # 2

Date 3-20-80

Township Carroll

Weather Fair

Section 25

Temp. 40°

T7N, R15E

Personnel Schneider

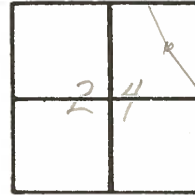
Mosser

Barbour

Ripple

Geyman

30



⊥ S.R. # 2

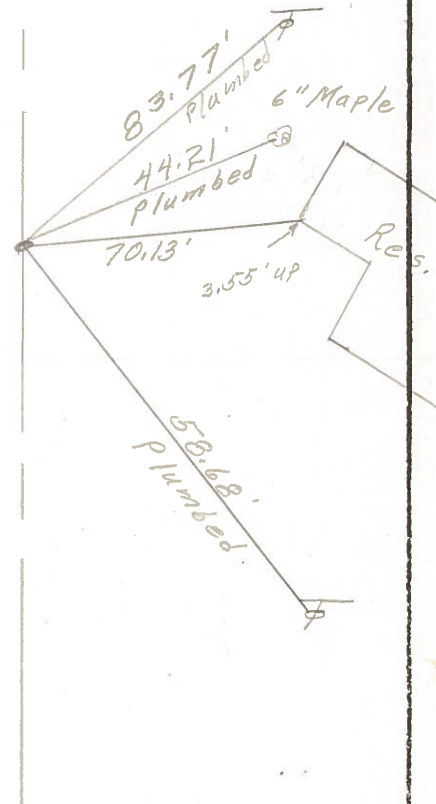
P.I. of spiral
small spt 4' Rt. of ⊥

693+88

P.K. on Top

Reset P.K. Nail

9-5-80



PERSONNEL TITLE PERSONNEL TITLE

COUNTY Ottawa DATE 7-29-74

S. R. 2 WEATHER SUNNY

SEC. OTT-2 1307 Br. TEMP. 80°

DESCRIPTION Carroll Twp. JOB NO.

