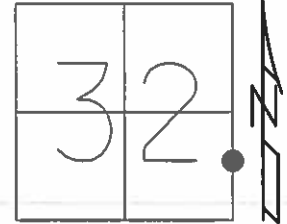


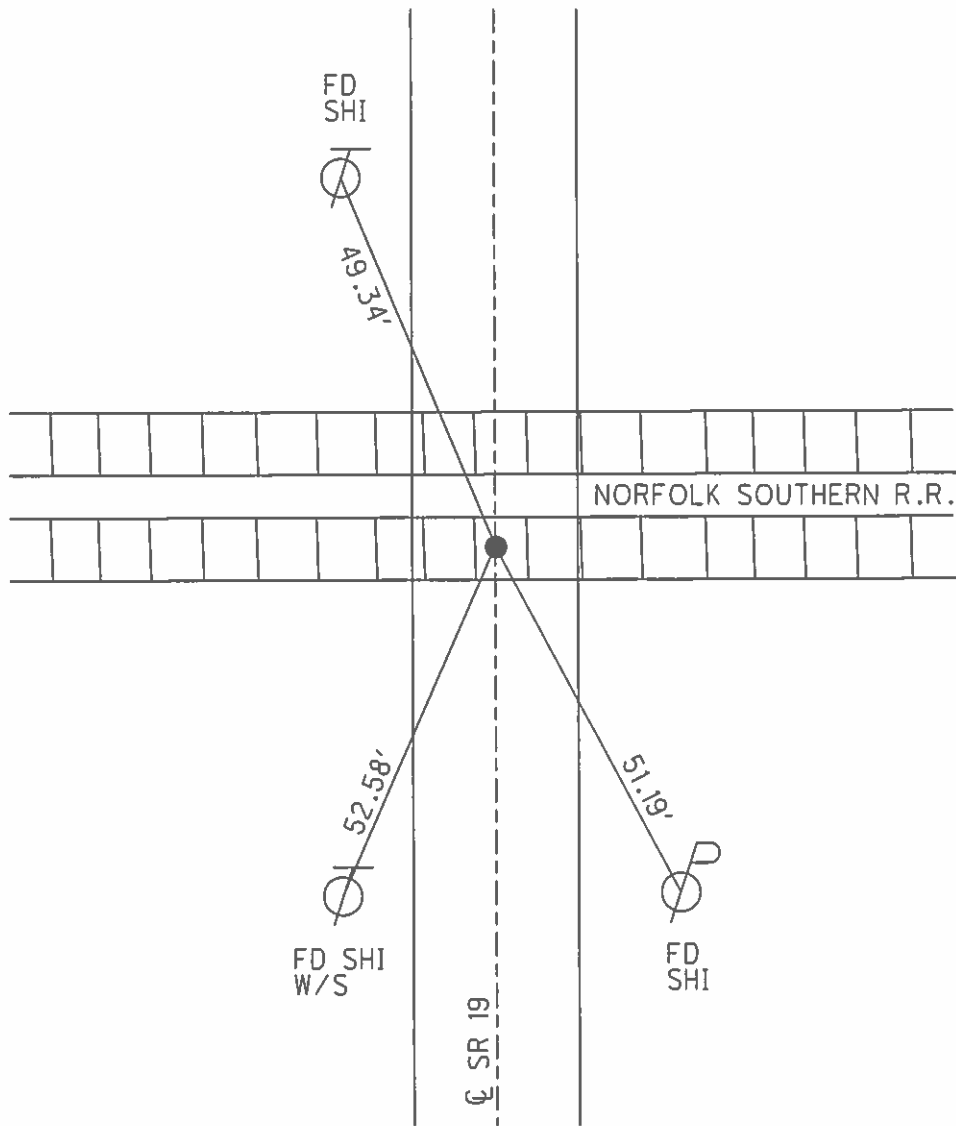
O.D.O.T. DISTRICT 2 SURVEY OFFICE (USE ONLY)

PERSONNEL \_\_\_\_\_ REFERENCE NO. 25 C SHEET 13 OF 29  
NOTES NUHFER DATE 5/8/07 ROUTE SR 19  
H.C. HUSS WEATHER SUNNY COUNTY OTTAWA  
R.C. \_\_\_\_\_ TEMP. 75° TOWNSHIP SALEM  
SECTION 32  
T 7 N R 15 E

TYPE MONUMENT MAG/WASHER  
ON SURFACE - ~~BELOW~~ ON  
LEFT - ☉ PAV'T - RIGHT ON  
- TO - EDGE PAVEMENT  
S.L.M. 227+04



GRID: NORTHING: 675909.924 EASTING: 1791854.970

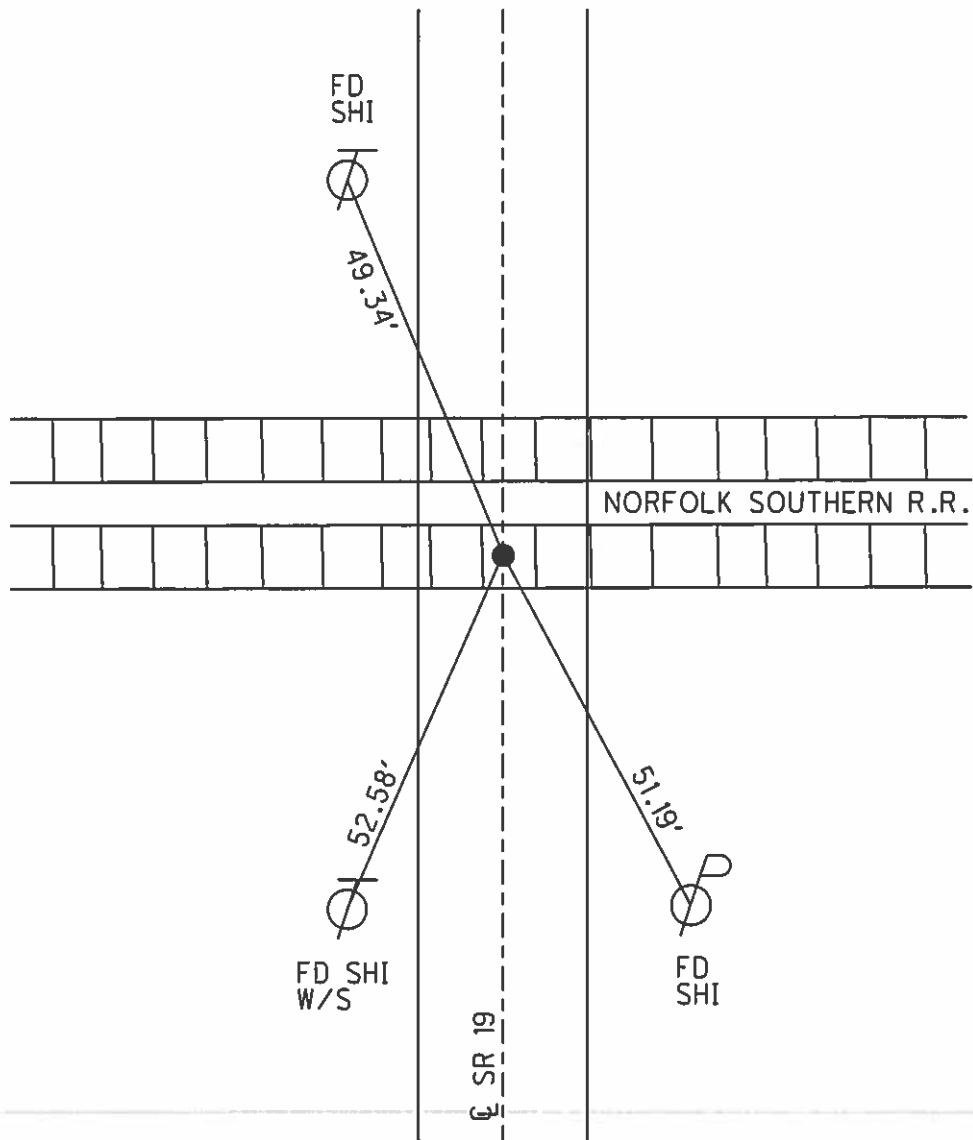
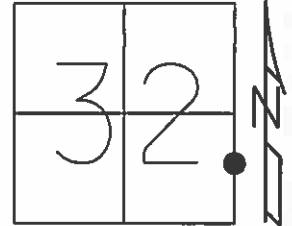


O.D.O.T. DISTRICT 2 SURVEY OFFICE (USE ONLY)

PERSONNEL \_\_\_\_\_ REFERENCE NO. 25 C SHEET 17 OF 33  
NOTES NUHFER DATE 5/8/07 ROUTE SR 19  
H.C. HUSS WEATHER SUNNY COUNTY OTTAWA  
R.C. \_\_\_\_\_ TEMP. 75° TOWNSHIP SALEM  
SECTION 32  
T 7 N R 15 E

TYPE MONUMENT MAG/WASHER  
ON SURFACE - ~~BELOW~~ ON  
LEFT - ☉ PAV'T - RIGHT ON  
- TO - EDGE PAVEMENT  
S.L.M. 227+04

Grid: Northing: 675909.924 Easting: 1791854.970



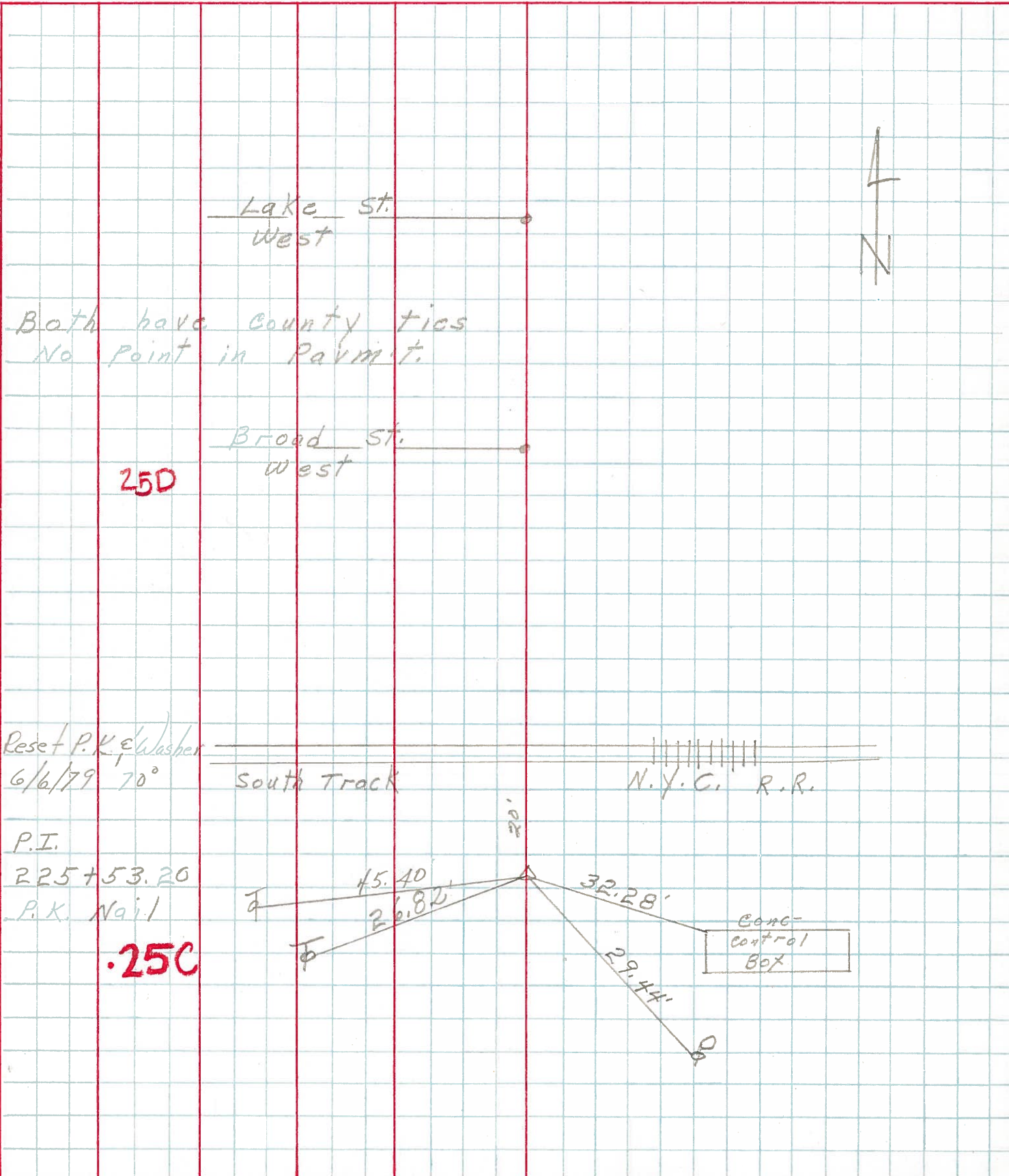
PERSONNEL TITLE PERSONNEL TITLE

COUNTY Ottawa DATE 4-25-78

S. R. 19 WEATHER Fair-Windy

SEC. 32-33 TEMP. 50°

DESCRIPTION Oak Harbor JOB NO.



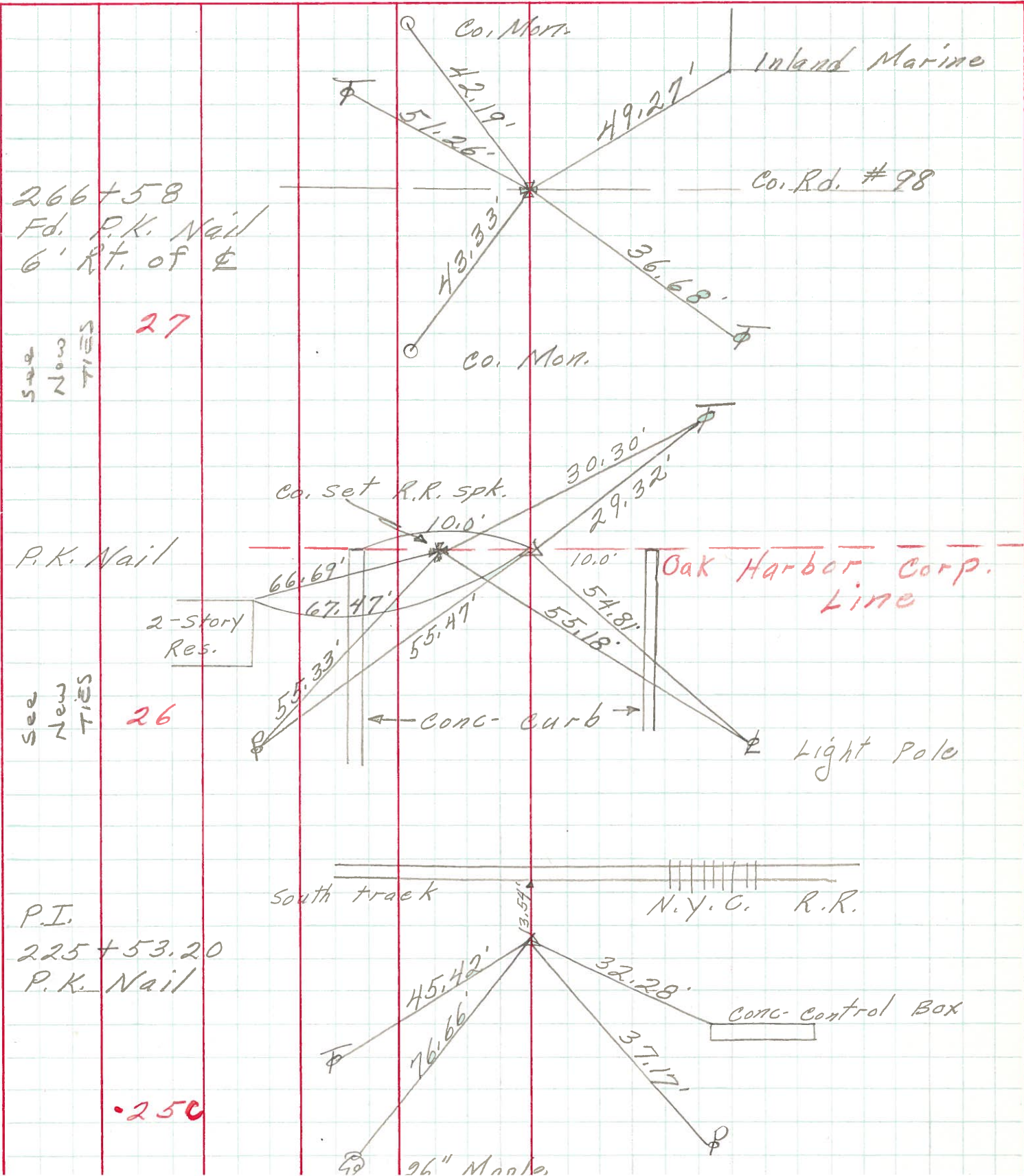
PERSONNEL TITLE PERSONNEL TITLE

COUNTY Ottawa DATE 5-4-71

S. R. 19 WEATHER \_\_\_\_\_

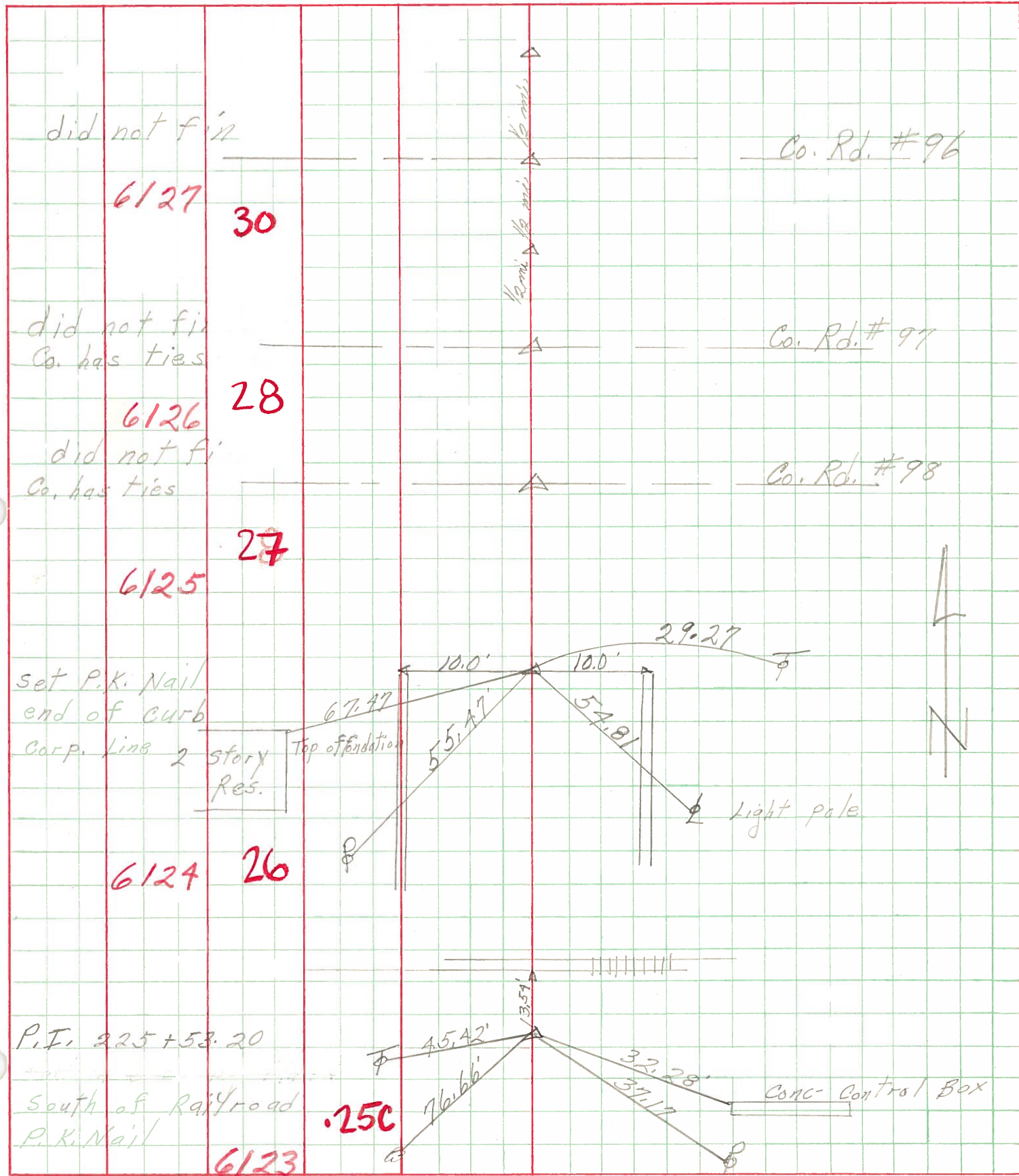
SEC. 32 & 33 TEMP. \_\_\_\_\_

DESCRIPTION Oak Harbor & 1 point North JOB NO. \_\_\_\_\_





PERSONNEL	TITLE	PERSONNEL	TITLE	COUNTY	DATE
Schneider				Ottawa	5-13-68
Mosser				S. R. 19	WEATHER Fair
Barbour				SEC. Oak Harbor North	TEMP. 65°
Redding					
DESCRIPTION				Ties for Control Points	
LEFT		CENTER LINE		RIGHT	
				JOB NO.	



did not fin

6127 30

Co. Rd. #96

did not fin  
Co. has ties

6126 28

Co. Rd. #97

did not fin  
Co. has ties

6125 27

Co. Rd. #98

set P.K. Nail  
end of curb  
Carp. line 2 story  
Res.

6124 26

P.I. 225+58.20  
South of Railroad  
P.K. Nail

25C

6123

26" Maole