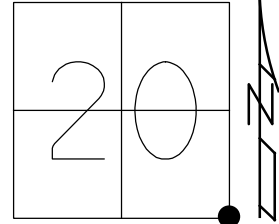


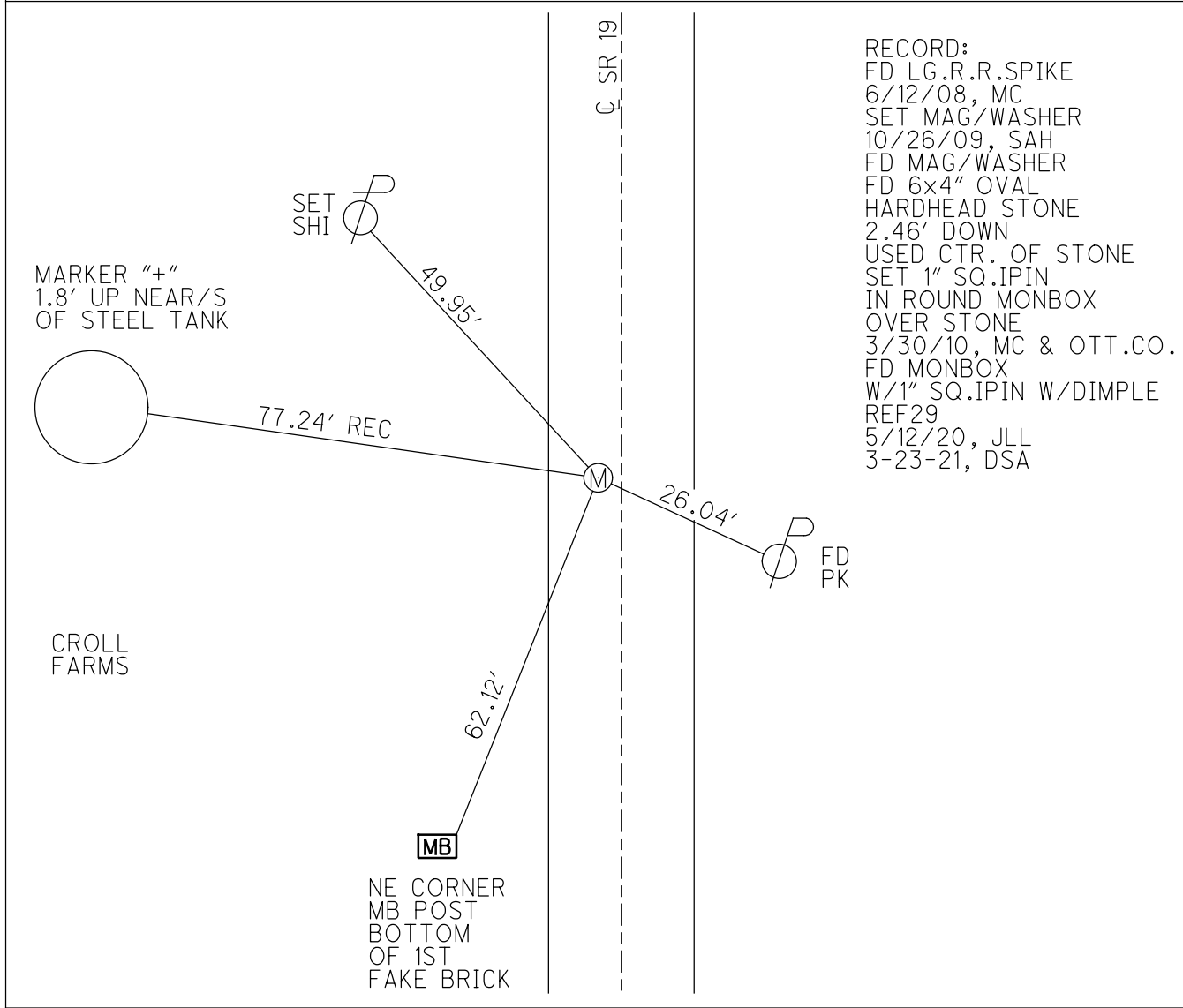
O.D.O.T. DISTRICT 2 SURVEY OFFICE (USE ONLY)

PERSONNEL \_\_\_\_\_ REFERENCE NO. 29 SHEET 19 OF 29  
 NOTES AUBLE DATE 5/12/20 ROUTE SR 19  
 H.C. LEU WEATHER SUNNY/WINDY COUNTY OTTAWA  
 R.C. BALBAUGH TEMP. 48°F TOWNSHIP CARROLL  
 DWG BY NIESE PID 107903 SECTION 20  
 T 7 N R 15 E

TYPE MONUMENT MONBOX W/1" SQ. IPIN W/DIMPLE  
 ON SURFACE - ~~BELOW~~ ON  
 OFFSET ☉ PAVEMENT 3.2' LT : ~~RT~~  
- TO - EDGE PAVEMENT  
 STATION: 319+76



HORIZ.DATUM: NAD83(2011) GEOID: NAVD88 2012A  
 GRID: NORTHING: 685111.254 EASTING: 1791986.436

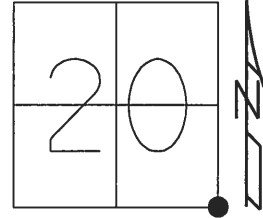


O.D.O.T. DISTRICT 2 SURVEY OFFICE (USE ONLY)

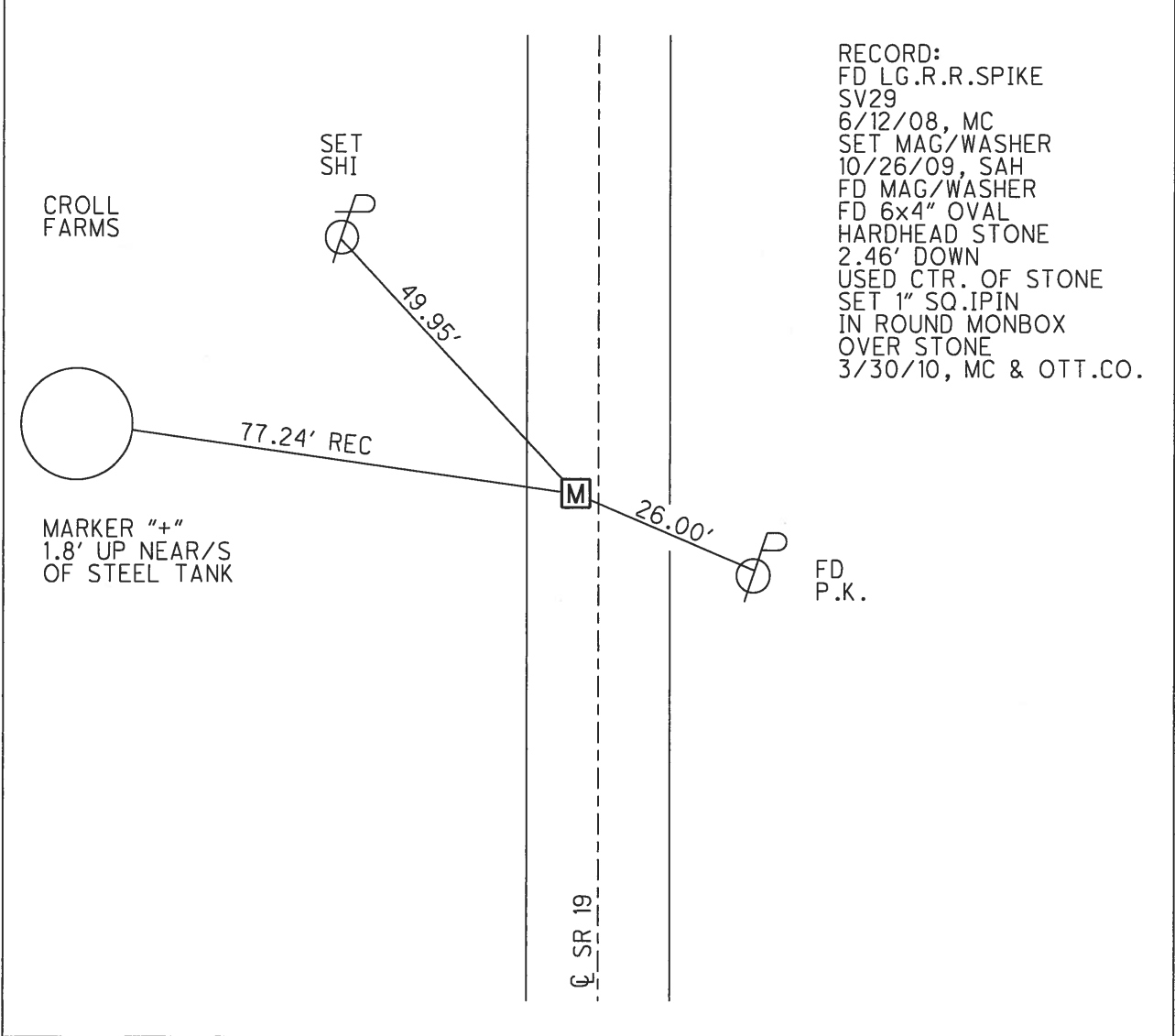
PERSONNEL \_\_\_\_\_ REFERENCE NO. 29 SHEET 19 OF 29

NOTES HUSS DATE 3/30/10 ROUTE SR 19  
 H.C. CANTERBURY WEATHER SUNNY COUNTY OTTAWA  
 R.C. HUSS TEMP. 66° TOWNSHIP CARROLL  
 \_\_\_\_\_ SECTION 20  
 \_\_\_\_\_ T 7 N R 15 E

TYPE MONUMENT MONBOX W/ 1" SQ.IPIN  
 ON SURFACE - ~~BELOW~~ ON \_\_\_\_\_  
 LEFT - ☉ PAV'T - ~~RIGHT~~ 3.2'  
 \_\_\_\_\_ TO \_\_\_\_\_ EDGE PAVEMENT  
 S.L.M. 319+76



GRID: NORTHING: 685111.067 EASTING: 1791986.389



RECORD:  
 FD LG.R.R.SPIKE  
 SV29  
 6/12/08, MC  
 SET MAG/WASHER  
 10/26/09, SAH  
 FD MAG/WASHER  
 FD 6x4" OVAL  
 HARDHEAD STONE  
 2.46' DOWN  
 USED CTR. OF STONE  
 SET 1" SQ.IPIN  
 IN ROUND MONBOX  
 OVER STONE  
 3/30/10, MC & OTT.CO.

CROLL FARMS

MARKER "+"  
 1.8' UP NEAR/S  
 OF STEEL TANK

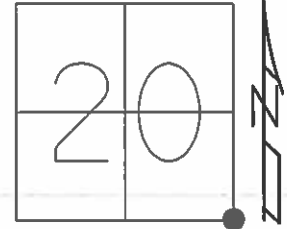
FD  
 P.K.

☉ SR 19

O.D.O.T. DISTRICT 2 SURVEY OFFICE (USE ONLY)

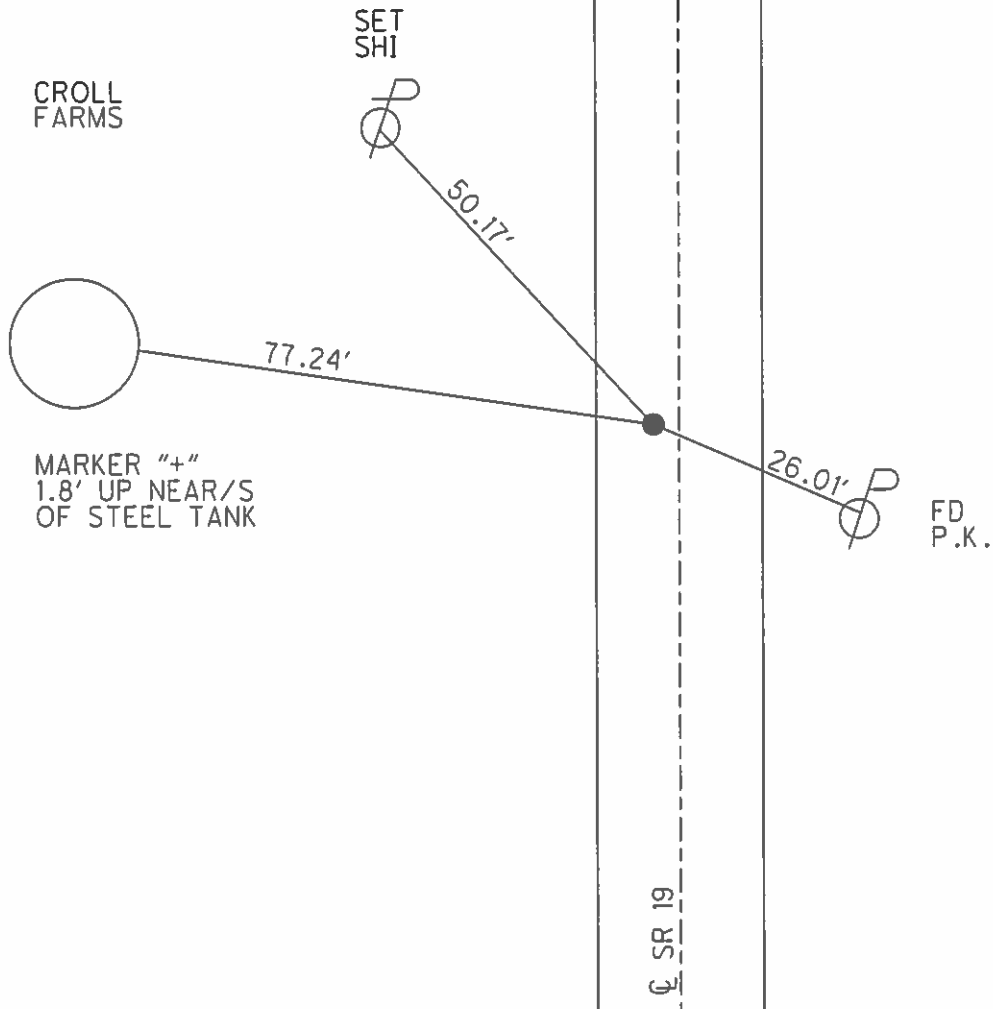
PERSONNEL \_\_\_\_\_ REFERENCE NO. 29 SHEET 19 OF 29  
NOTES HUSS DATE 6/12/08 ROUTE SR 19  
H.C. NUHFER WEATHER CLDY/BREEZY COUNTY OTTAWA  
R.C. RYAN TEMP. 61° TOWNSHIP CARROLL  
SECTION 20  
T 7 N R 15 E

TYPE MONUMENT LG RR SPIKE  
ON SURFACE - ~~BELOW~~ ON  
LEFT - ☉ PAV'T - ~~RIGHT~~ 3.4'  
6.7' TO LT EDGE PAVEMENT  
S.L.M. 319+76



GRID: NORTHING: 685111.067 EASTING: 1791986.389

RECORD:  
SET MAG/WASHER  
10/26/09, SAH

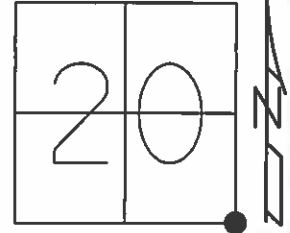


O.D.O.T. DISTRICT 2 SURVEY OFFICE (USE ONLY)

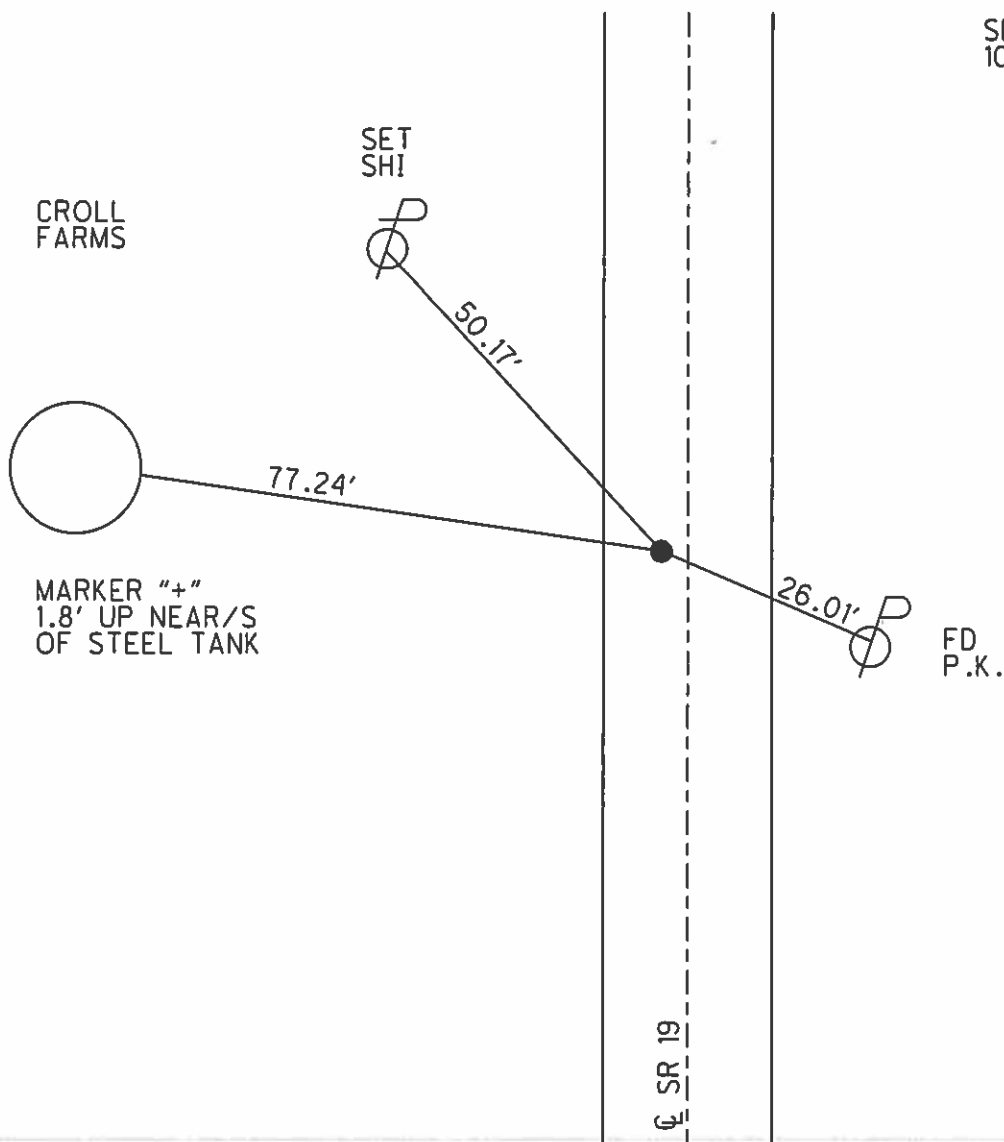
PERSONNEL \_\_\_\_\_ REFERENCE NO. 29 SHEET 23 OF 33  
NOTES HUSS DATE 6/12/08 ROUTE SR 19  
H.C. NUHFER WEATHER CLDY/BREEZY COUNTY OTTAWA  
R.C. RYAN TEMP. 61° TOWNSHIP CARROLL  
SECTION 20  
T 7 N R 15 E

TYPE MONUMENT LG.R.R.SPIKE  
ON SURFACE - ~~BELOW~~ ON \_\_\_\_\_  
LEFT - ☉ PAV'T - ~~RIGHT~~ 3.4'  
6.7' TO LT EDGE PAVEMENT  
S.L.M. 319+76

Grid: Northing: 685111.067 Easting: 1791986.389



SET MAG/WASHER  
10/26/09, SAH



PERSONNEL	TITLE	PERSONNEL	TITLE
_____	_____	_____	_____
_____	_____	_____	_____
_____	_____	_____	_____

COUNTY Ottawa DATE 5-4-71

S. R. 19 WEATHER \_\_\_\_\_

SEC. 29 & 28 - 20 & 21 TEMP. \_\_\_\_\_

DESCRIPTION Oak Harbour to S.R. #2 JOB NO. \_\_\_\_\_

