

O.D.O.T. DISTRICT 2 SURVEY OFFICE (USE ONLY)

PERSONNEL

REFERENCE NO. 37

SHEET 26 OF 29

NOTES AUBLE

DATE 5/20/20

ROUTE SR 19

H.C. LEU

WEATHER CLOUDY/FAIR

COUNTY OTTAWA

R.C. AUBLE

TEMP. 55°F

TOWNSHIP CARROLL

SECTION 8

DWG BY NIESE PID 107903

T 7 N R 15 E

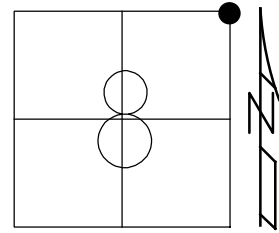
TYPE MONUMENT MAG/WASHER

ON SURFACE - ~~BELOW~~ ON

OFFSET CL PAVEMENT 5.8' LT : ~~RT~~

4.0' TO LT EDGE PAVEMENT

STATION: 477+78



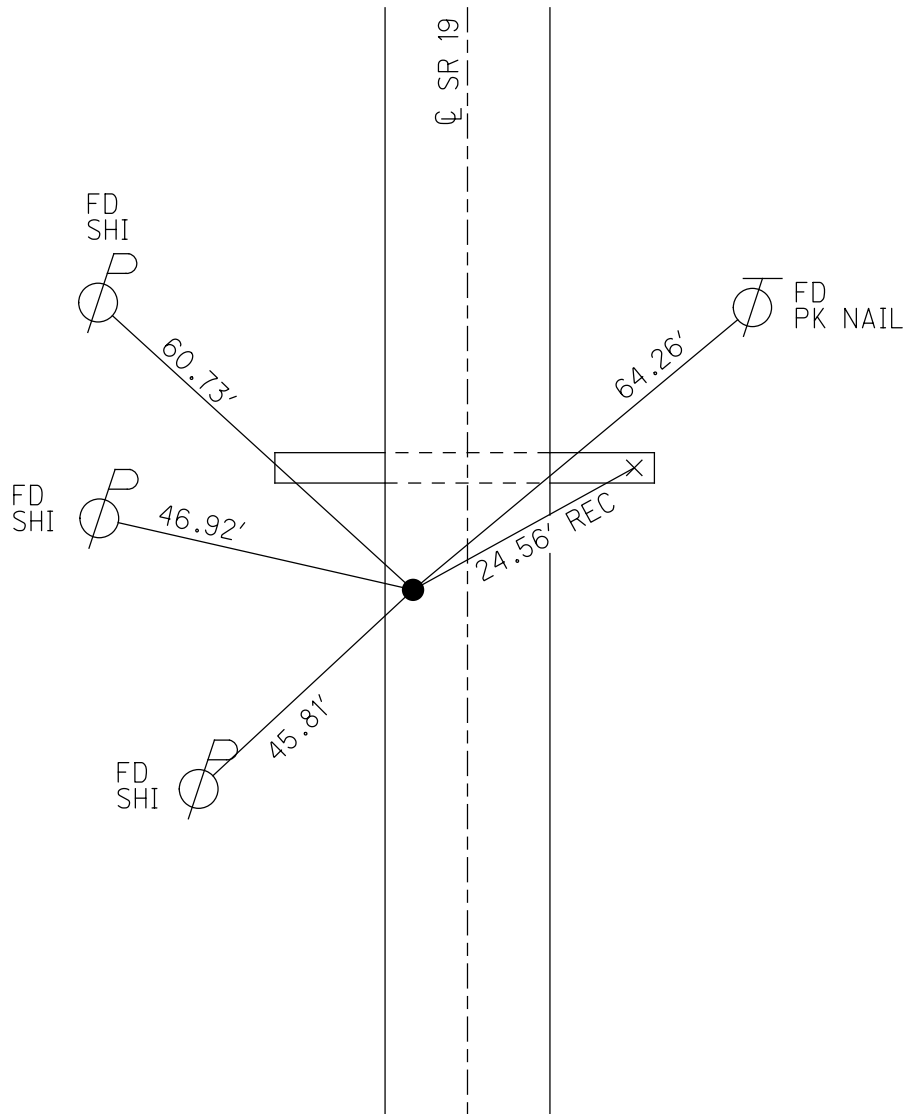
HORIZ.DATUM: NAD83(2011)

GEOID: NAVD88 2012A

GRID: NORTHING: 700874.809

EASTING: 1792063.768

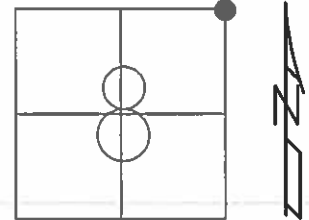
RECORD:
 R.R. SPIKE
 P.K./WASHER
 10/10/91
 FD P.K./WASHER
 SV37
 6/18/08, SAH
 SET MAG/WASHER
 10/27/09, SAH
 FD MAG/WASHER
 5/20/20, JLL
 SET MAG/W
 3-24-21, DSA



O.D.O.T. DISTRICT 2 SURVEY OFFICE (USE ONLY)

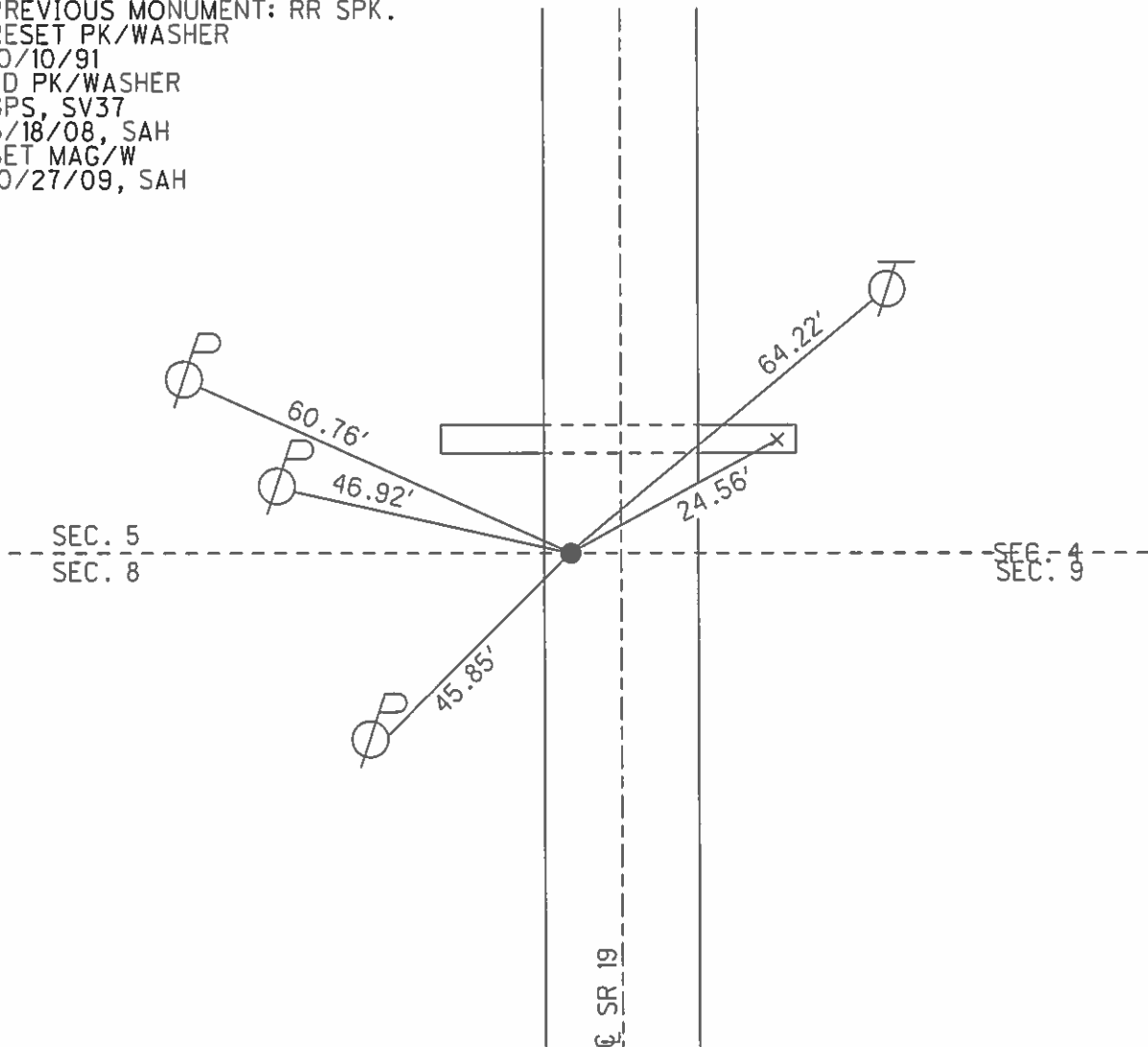
PERSONNEL _____ REFERENCE NO. 37 SHEET 26 OF 29
 NOTES HUSS DATE 6/18/08 ROUTE SR 19
 H.C. MOSER WEATHER CLOUDY/FAIR COUNTY OTTAWA
 R.C. CANTERBURY TEMP. 60° TOWNSHIP CARROLL
 SECTION 8
 T 7 N R 15 E

TYPE MONUMENT PK/WASHER
 ON SURFACE - ~~BELOW~~ ON _____
 LEFT - ☉ PAV'T - ~~RIGHT~~ 5.7'
4' TO W. EDGE PAVEMENT
 S.L.M. 477+78



GRID: NORTHING: 700874.769 EASTING: 1792063.685

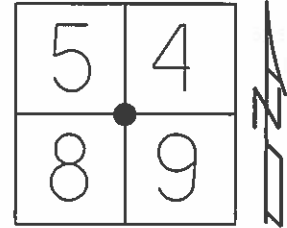
RECORD:
 PREVIOUS MONUMENT: RR SPK.
 RESET PK/WASHER
 10/10/91
 FD PK/WASHER
 GPS, SV37
 6/18/08, SAH
 SET MAG/W
 10/27/09, SAH



O.D.O.T. DISTRICT 2 SURVEY OFFICE (USE ONLY)

PERSONNEL _____ REFERENCE NO. 37 SHEET 30 OF 33
 NOTES HUSS DATE 6-18-08 ROUTE SR 19
 H.C. MOSER WEATHER CLOUDY/FAIR COUNTY OTTAWA
 R.C. CANTERBURY TEMP. 60° TOWNSHIP CARROLL
 _____ SECTION 4-5,8-9
 _____ T 7 N R 15 E

TYPE MONUMENT PK/WASHER
 ON SURFACE - ~~BELOW~~ ON
 LEFT - ☉ PAV'T - ~~RIGHT~~ 5.7'
4' TO W. EDGE PAVEMENT
 S.L.M. 477+78

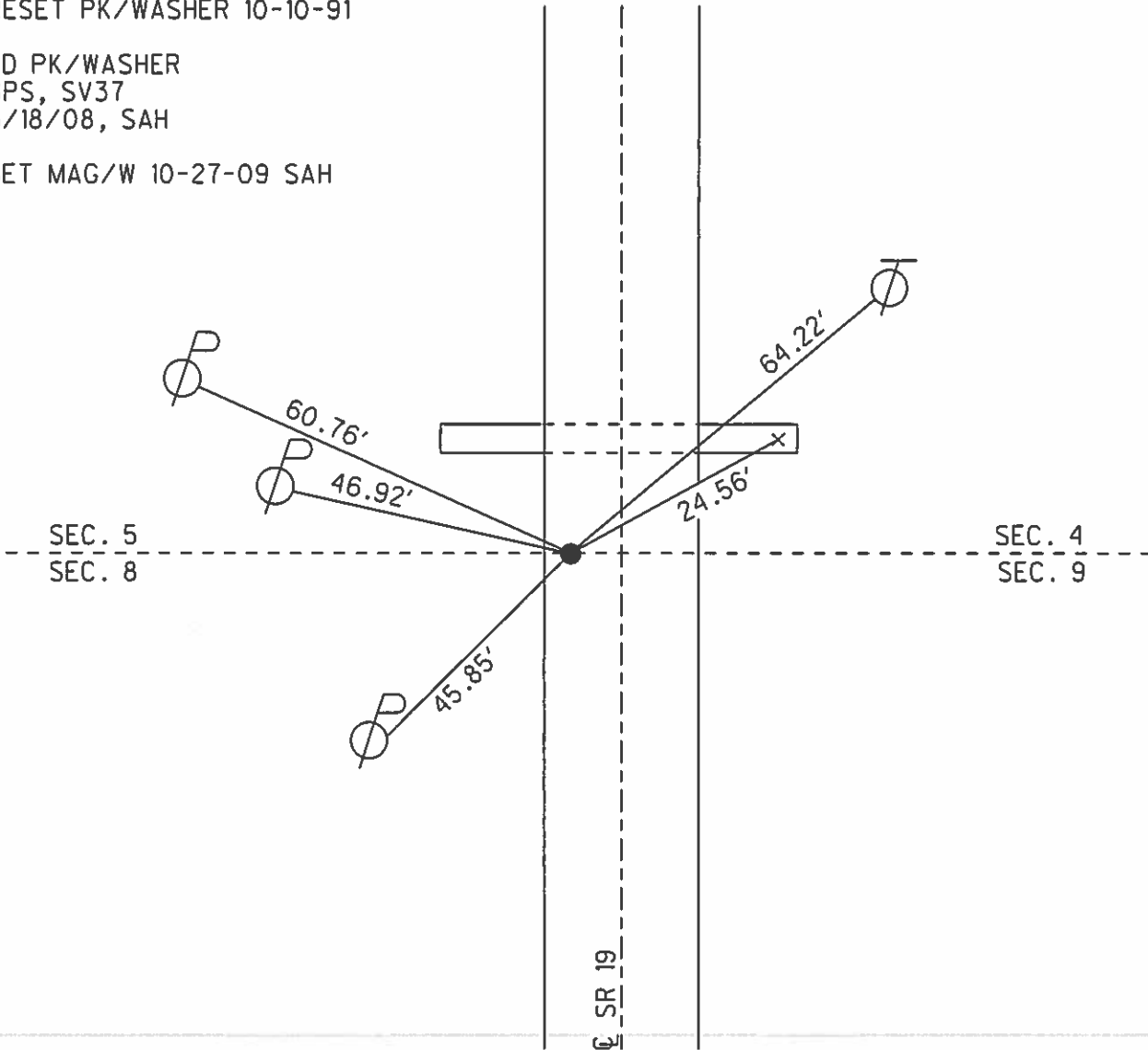


Grid: Northing: 700874.769 Easting: 1792063.685

PREVIOUS MONUMENT: RR SPK.
 RESET PK/WASHER 10-10-91

FD PK/WASHER
 GPS, SV37
 6/18/08, SAH

SET MAG/W 10-27-09 SAH



O.D.O.T. DISTRICT 2 SURVEY OFFICE

PERSONNEL

REFERENCE NO. 37

SHEET 9 OF 11

NOTES CHEHEY

H.C. BARBOUR

R.C. RIPPLE

DATE 10-10-1991

WEATHER CLOUDY

TEMP. 60°

ROUTE 19

COUNTY OTTAWA

TOWNSHIP CARBOLL

SECTION 4-5, 8-9

T 7 NR 1 SE

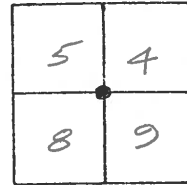
TYPE MONUMENT RE-SET PK/WASHER

ON SURFACE - BELOW

LEFT- & PAV'T. - RIGHT 5.5'

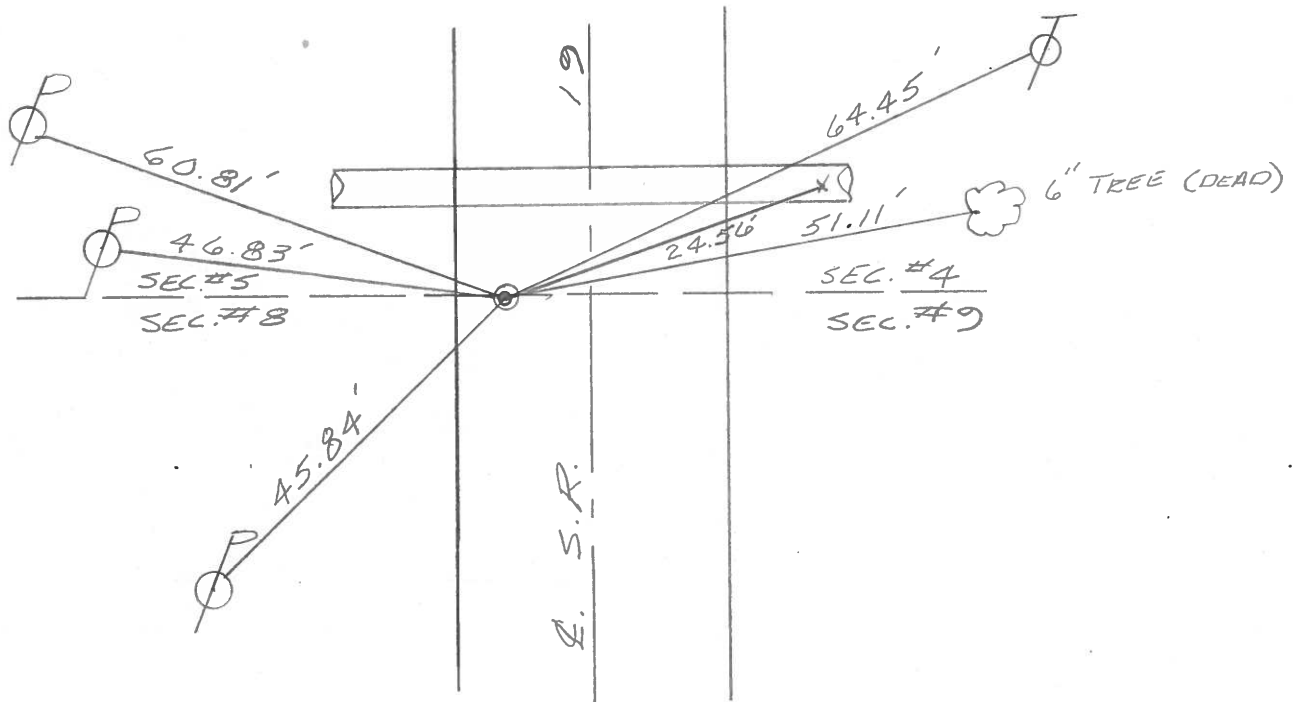
4 TO W. EDGE PAVEMENT

S.L.M. 477+78



PREVIOUS MONUMENT:

RR. SPK.



PERSONNEL TITLE PERSONNEL TITLE

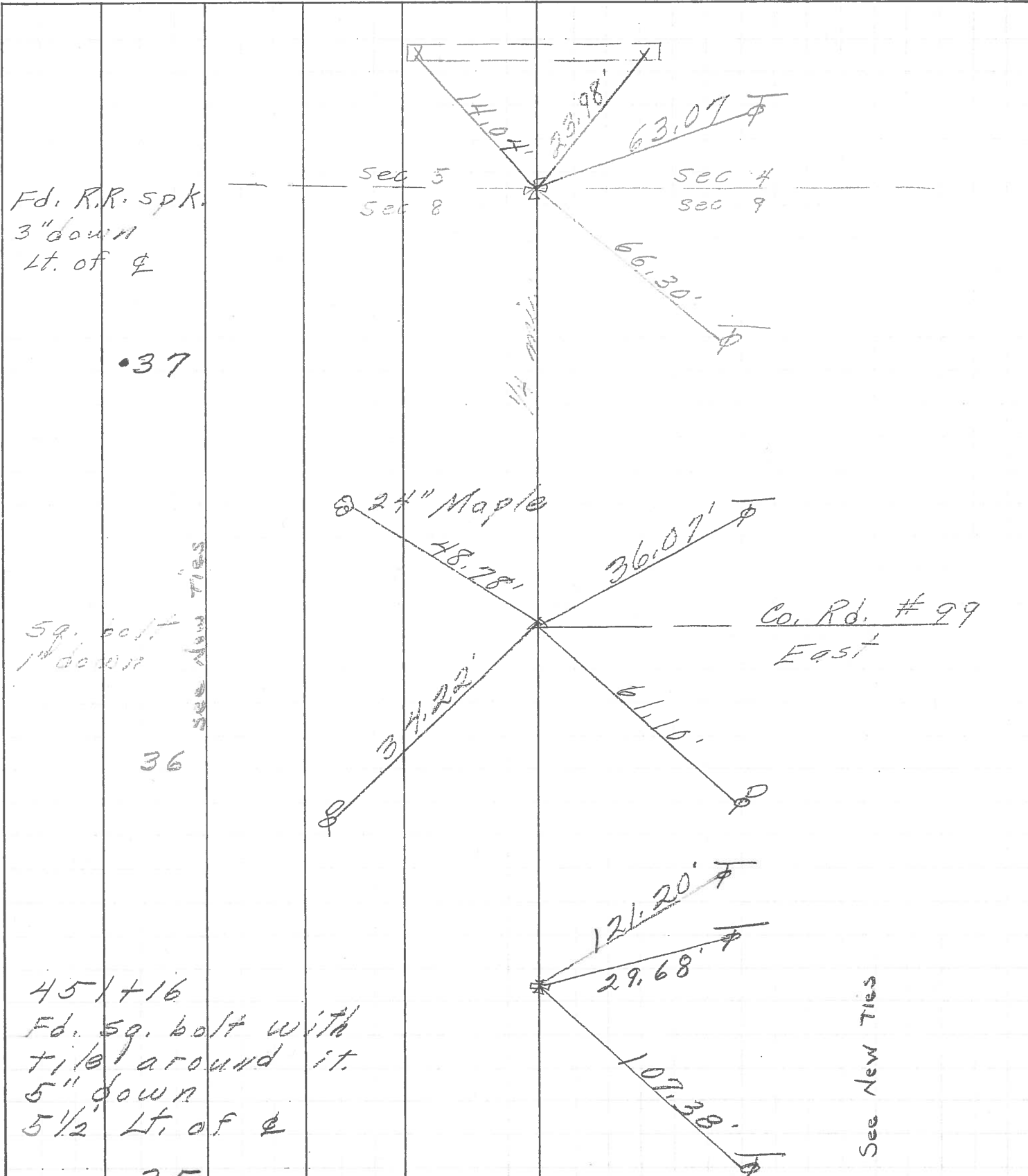
COUNTY Ottawa DATE 5-7-71

S. R. 19 WEATHER _____

SEC. 3E4-8E9 TEMP. _____

DESCRIPTION Oak Harbor to S.R. #2 JOB NO. _____

LEFT CENTER LINE RIGHT



Fd. R.R. spk.
3" down
Lt. of ϕ

•37

Sq. bolt
1" down

36

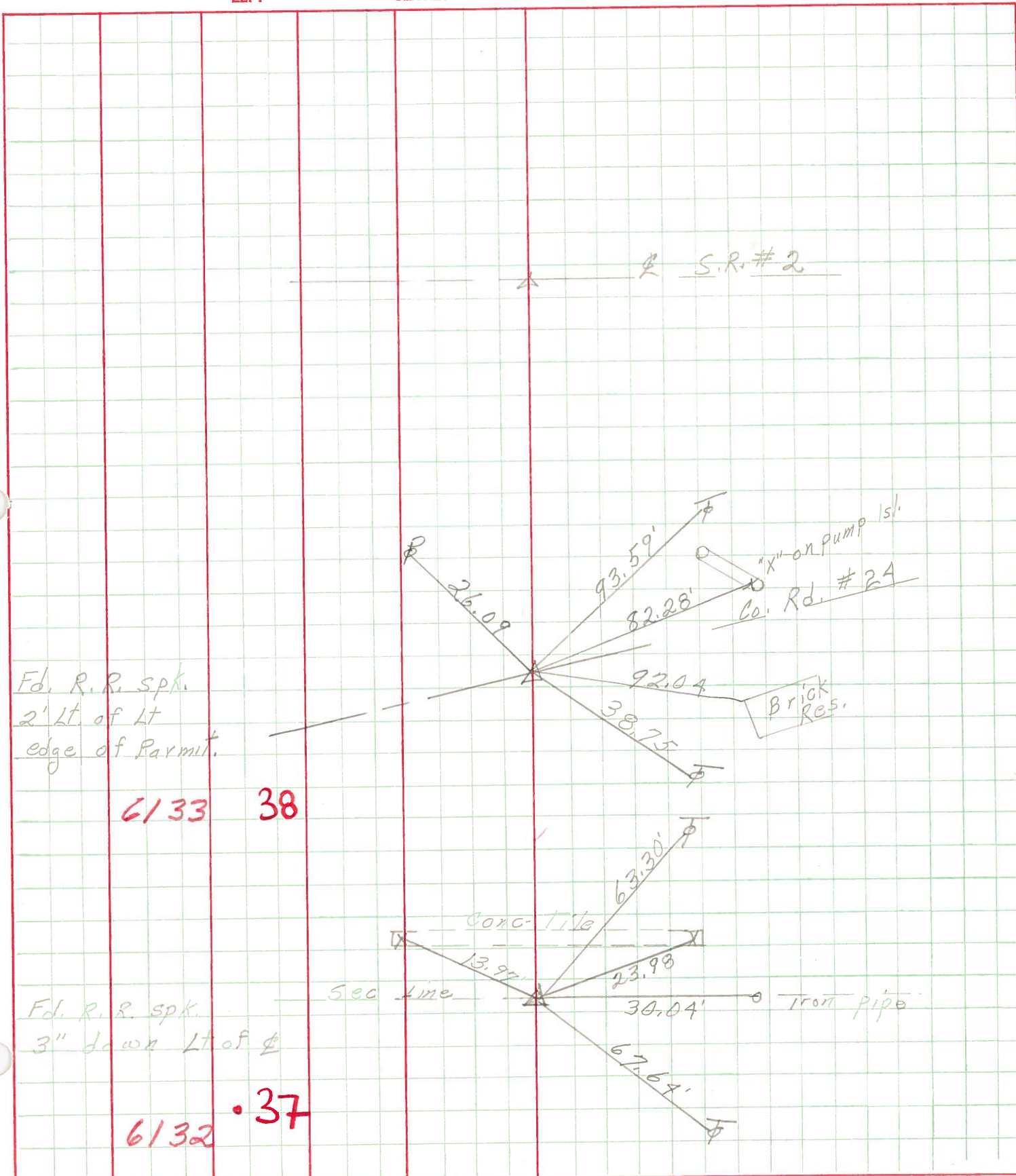
see new ties

45/16
Fd. sq. bolt with
tile around it.
5" down
5 1/2 Lt. of ϕ

Co. Rd. #99
East

See New Ties

PERSONNEL	TITLE	PERSONNEL	TITLE	COUNTY	Ottawa	DATE	5-15-68
Schneider		Potts		S. R.	19	WEATHER	Fair
Mosser				SEC.	Oak Harbor-North	TEMP.	70°
Barbour				DESCRIPTION	Ties for Control Points		JOB NO.
Redding							



PERSONNEL	TITLE	PERSONNEL	TITLE	COUNTY	DATE	WEATHER	TEMP.
Schweider				Ottawa	5-1-62	Cloudy	75°
Mosser				S. R. # 19			
Jeremy				8.40 ±			
Snider				SEC. Taussaint River N.			

DESCRIPTION Ties for Control LEFT CENTER LINE RIGHT JOB NO.

