

O.D.O.T. DISTRICT 2 SURVEY OFFICE (USE ONLY)

PERSONNEL _____

REFERENCE NO. 39

SHEET 28 OF 29

NOTES AUBLE

DATE 5/20/20

ROUTE SR 19

H.C. LEU

WEATHER CLOUDY/BREEZY

COUNTY OTTAWA

R.C. AUBLE

TEMP. 57°F

TOWNSHIP CARROLL

DWG BY NIESE PID 107903

SECTION 5

T 7 N R 15 E

TYPE MONUMENT MAG/WASHER

ON SURFACE - ~~BELOW~~ ON

OFFSET Q PAVEMENT 4.0' LT : ~~RT~~

5.5' TO LT EDGE PAVEMENT

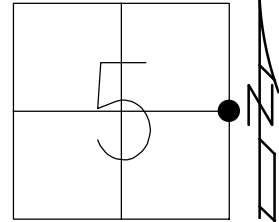
STATION: 504+52

HORZ.DATUM: NAD83(2011)

GEOID: NAVD88 2012A

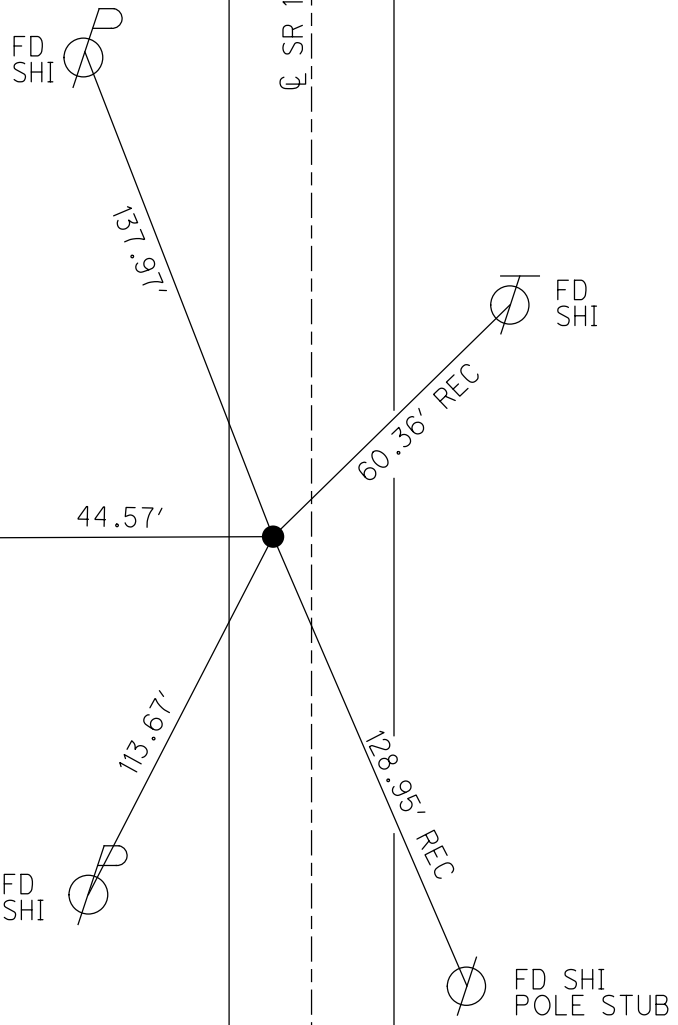
GRID: NORTHING: 703558.163

EASTING: 1792045.110



RECORD:
 P.K./WASHER
 SM.SPIKE
 P.K. NAIL
 SET P.K./WASHER
 10/10/91
 FD P.K./WASHER
 6/18/08, SAH
 8/14/08, MC
 SET MAG/WASHER
 10/28/09, SAH
 FD MAG/WASHER
 REF39
 5/20/20, JLL
 SET MAG/WASHER
 3-24-21, DSA

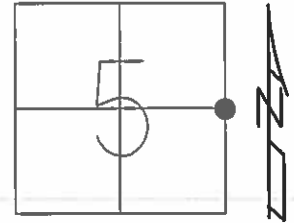
SET BARN
 SPIKE
 NEAR W. TOP
 OF BANK



O.D.O.T. DISTRICT 2 SURVEY OFFICE (USE ONLY)

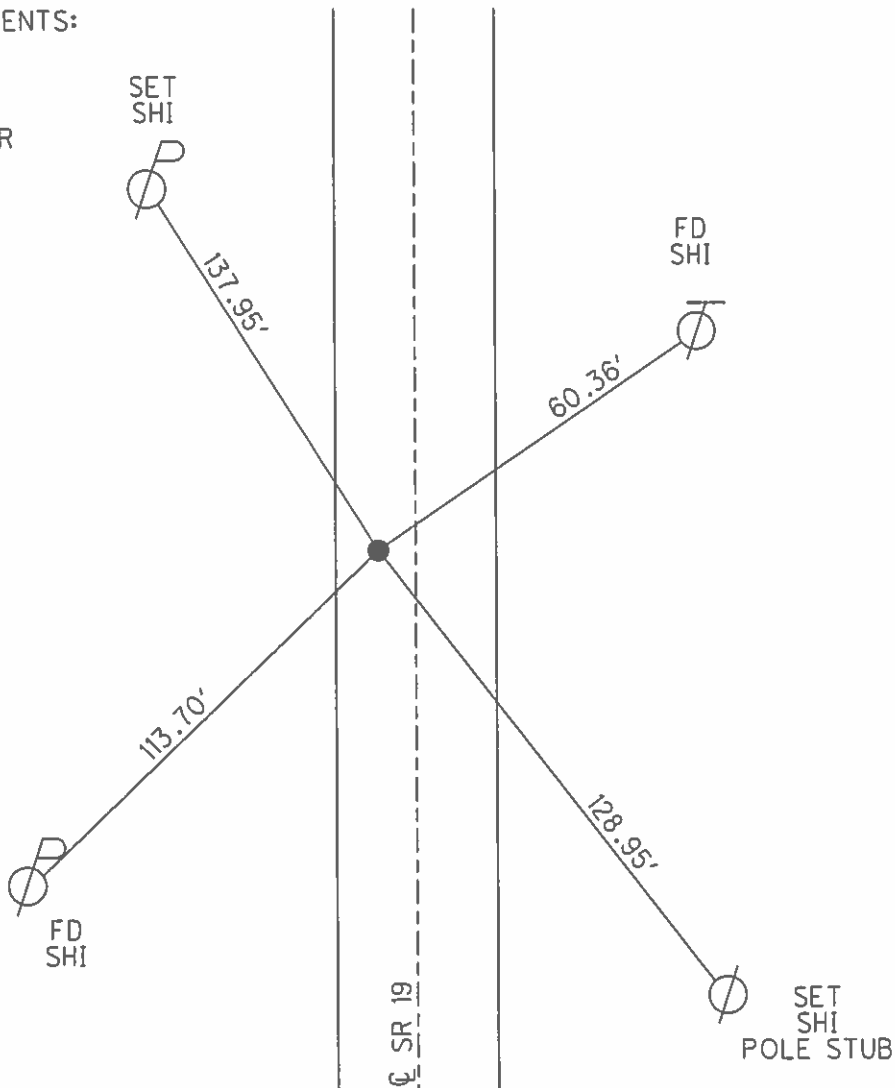
PERSONNEL _____ REFERENCE NO. 39 SHEET 28 OF 29
 NOTES HUSS DATE 8/14/08 ROUTE SR 19
 H.C. HUSS WEATHER CLOUDY/FAIR COUNTY OTTAWA
 R.C. CANTERBURY TEMP. 78° TOWNSHIP CARROLL
 _____ SECTION 5
 _____ T 7 N R 15 E

TYPE MONUMENT PK/WASHER
 ON SURFACE - ~~BELOW~~ ON _____
 LEFT - ☉ PAV'T - ~~RIGHT~~ 4'
5.5' TO W EDGE PAVEMENT
 S.L.M. 504+52



GRID: NORTHING: 703558.229 EASTING: 1792045.003

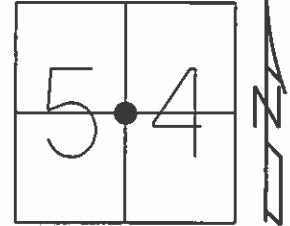
RECORD:
 PREVIOUS MONUMENTS:
 PK/WASHER
 SMALL SPK.
 PK NAIL
 RESET PK/WASHER
 10/10/91
 FD PK/WASHER
 GPS, SV39
 6/18/08, SAH
 SET MAG/W
 10/28/09, SAH



O.D.O.T. DISTRICT 2 SURVEY OFFICE (USE ONLY)

PERSONNEL _____ REFERENCE NO. 39 SHEET 32 OF 33
 NOTES HUSS DATE 8-14-08 ROUTE SR 19
 H.C. HUSS WEATHER CLOUDY/FAIR COUNTY OTTAWA
 R.C. CANTERBURY TEMP. 78° TOWNSHIP CARROLL
 _____ SECTION 4-5
 _____ T 7 N R 15 E

TYPE MONUMENT PK/WASHER
 ON SURFACE - ~~BELOW~~ ON _____
 LEFT - ☉ PAV'T - ~~RIGHT~~ 4'
5.5' TO W. EDGE PAVEMENT
 S.L.M. 504+52



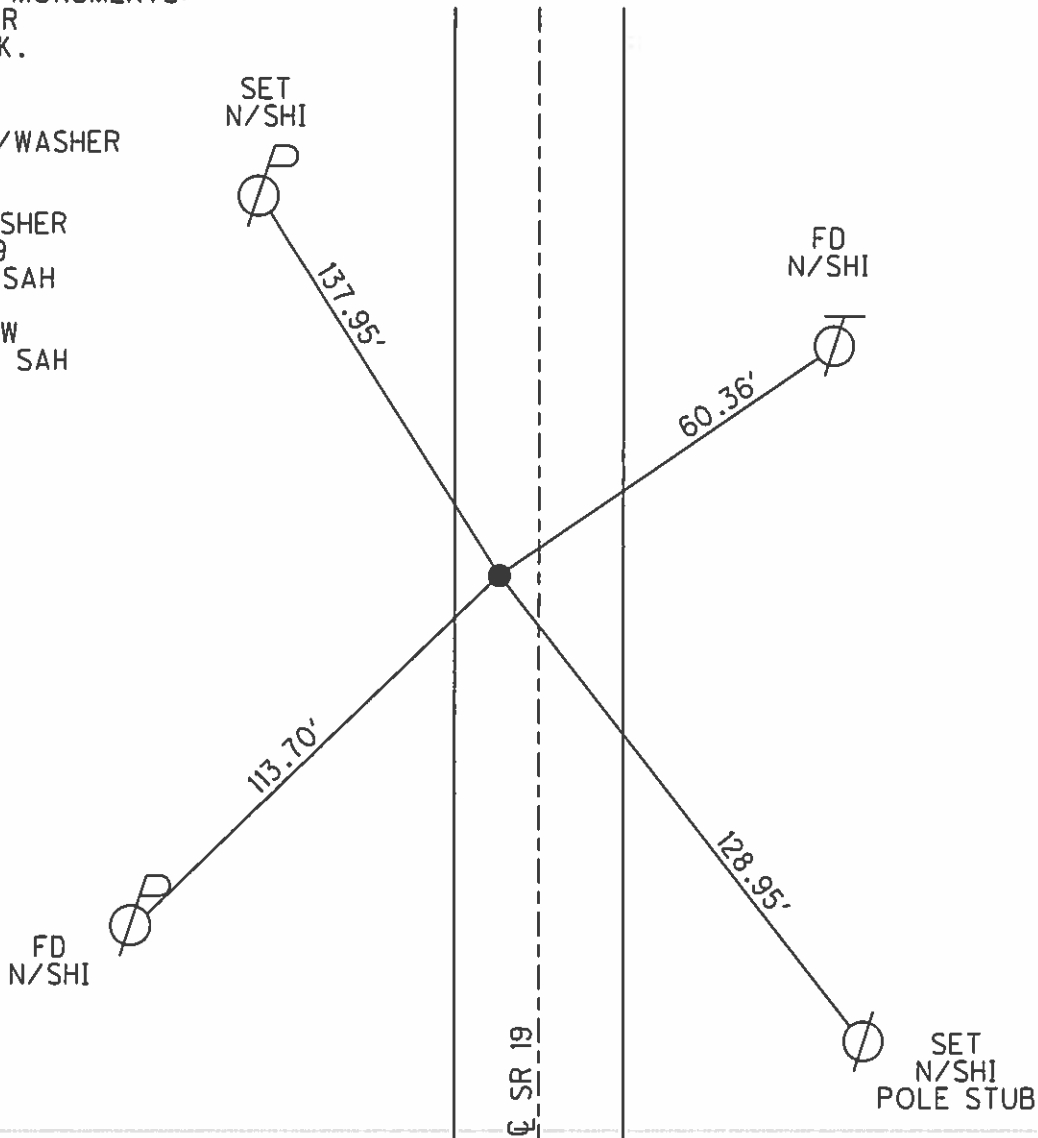
Grid: Northing: 703558.229 Easting: 1792045.003

PREVIOUS MONUMENTS:
 PK/WASHER
 SMALL SPK.
 PK NAIL

RESET PK/WASHER
 10-10-91

FD PK/WASHER
 GPS, SV39
 6/18/08, SAH

SET MAG/W
 10-28-09 SAH



O.D.O.T. DISTRICT 2 SURVEY OFFICE

PERSONNEL _____

REFERENCE NO. 39

SHEET 11 OF 11

NOTES CHENEY

H.C. BARBOUR

R.C. RIPPLE

DATE 10-10-1991

WEATHER CLOUDY

TEMP. 60°

ROUTE 19

COUNTY OTTAWA

TOWNSHIP CARROLL

SECTION 4-5

T7 N R 15 E

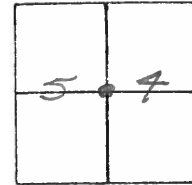
TYPE MONUMENT RE-SET PK/WASHER

ON SURFACE - BELOW

LEFT - ℄ PAV'T. - RIGHT 4'

5.5' TO W EDGE PAVEMENT

S.L.M. 504+67

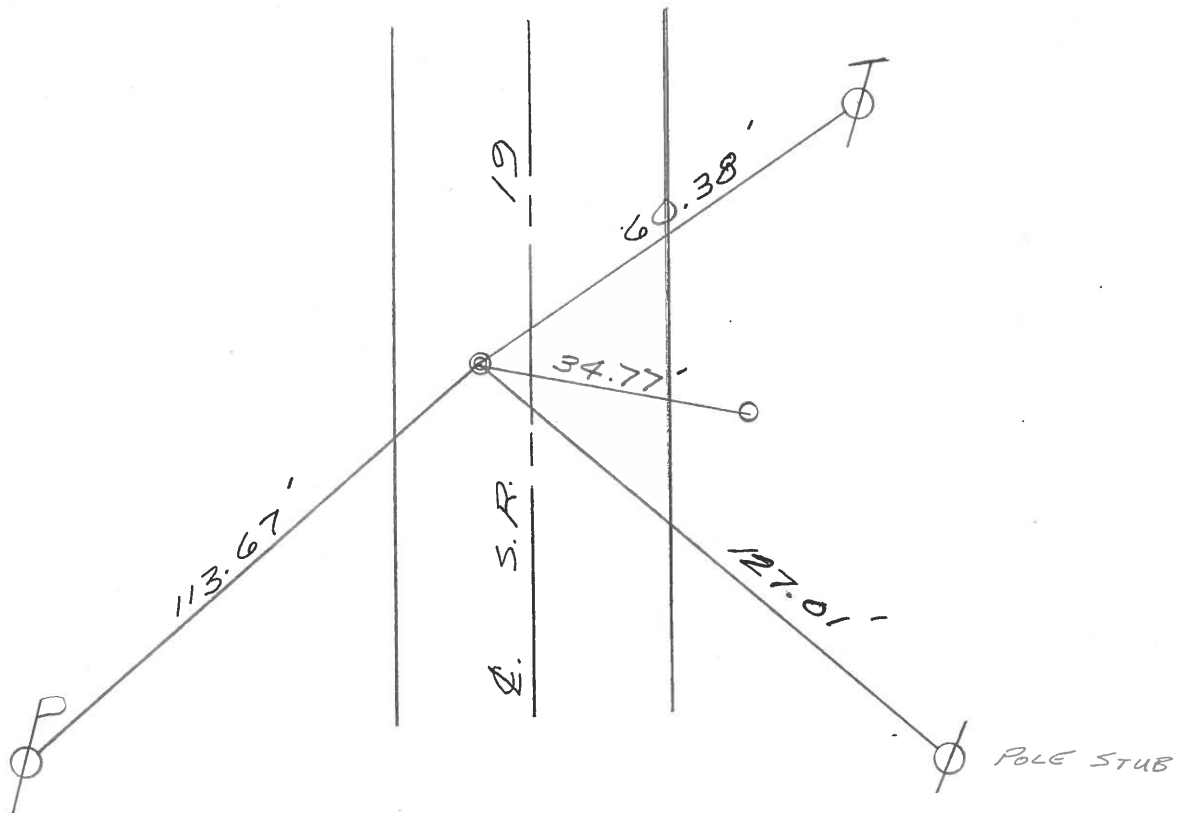


PREVIOUS MONUMENTS:

PK/WASHER

SMALL SPK.

PK. NAIL



PERSONNEL TITLE PERSONNEL TITLE

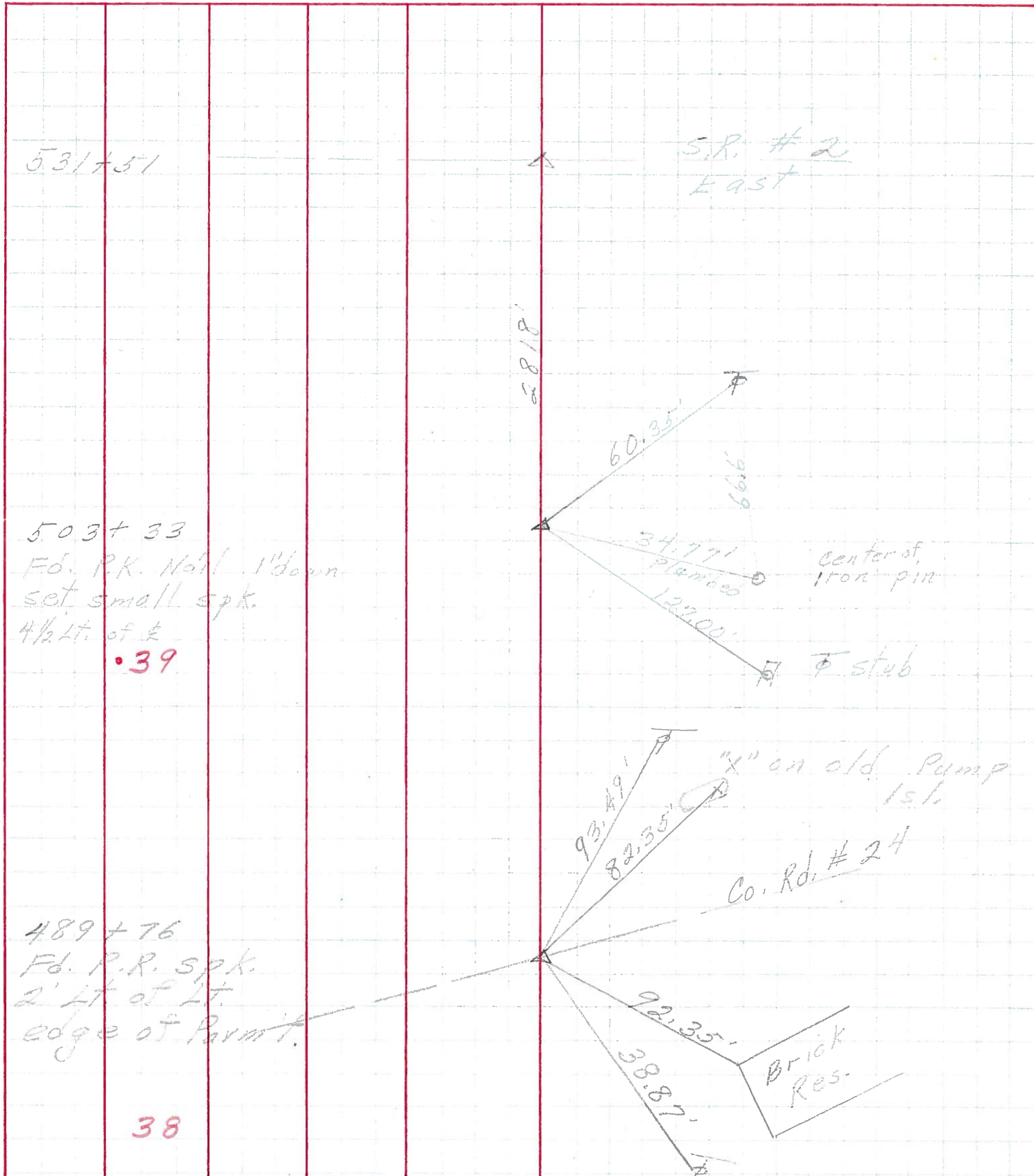
COUNTY Ottawa DATE 5-7-71

S. R. 19 WEATHER

SEC. 364 TEMP.

DESCRIPTION Oak Harbour to S.R. #2 JOB NO.

LEFT CENTER LINE RIGHT



531+51

S.R. #2 East

503+33
Fd. P.K. Nail 1" down
set small spk.
4 1/2 Lt. of Lt.
39

489+76
Fd. P.R. spk.
2' Lt. of Lt.
edge of Parmt.
38

181.85

60.35'

34.77' Planned

122.00'

center of iron pin

stub

93.49'

82.35'

"x" on old Pump 1st.

Co. Rd. # 24

92.35'

38.87'

Brick Res.