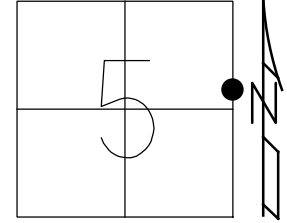


O.D.O.T. DISTRICT 2 SURVEY OFFICE (USE ONLY)

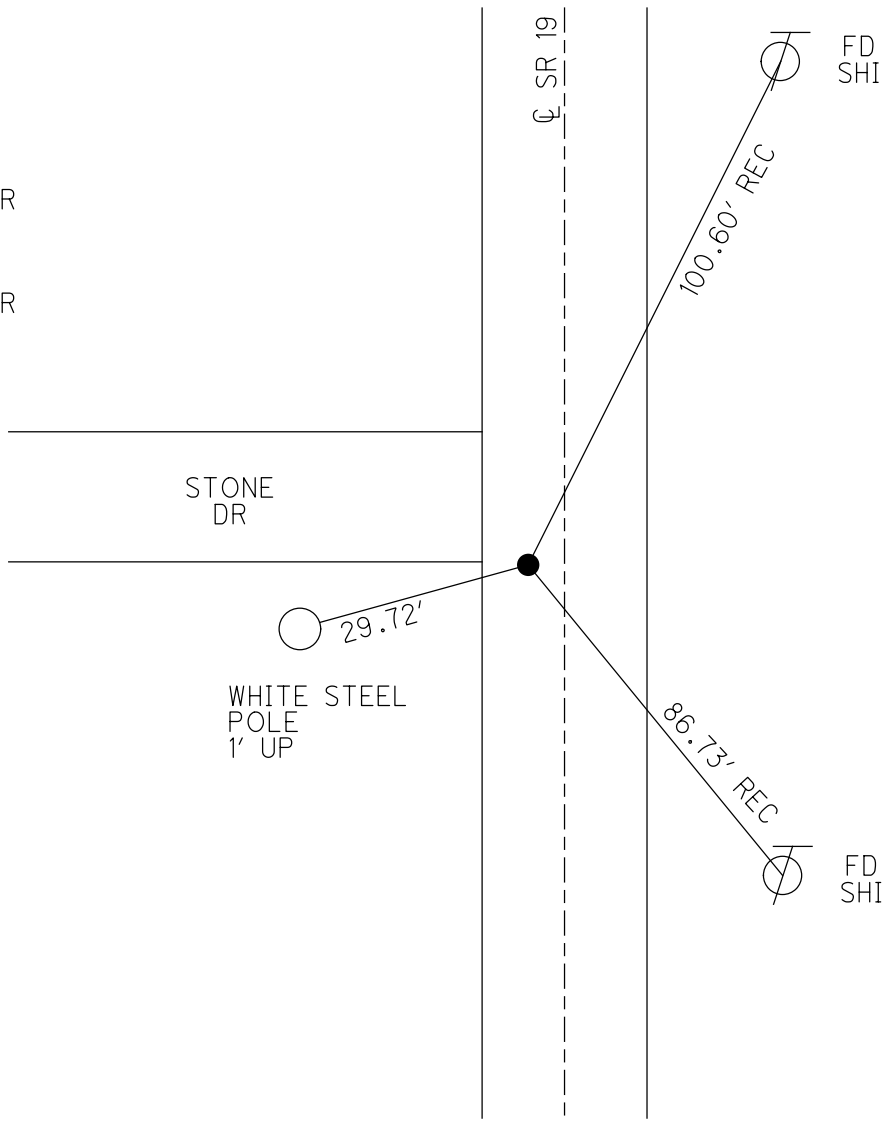
PERSONNEL \_\_\_\_\_ REFERENCE NO. 40 SHEET 29 OF 29  
 NOTES AUBLE DATE 5/20/20 ROUTE SR 19  
 H.C. LEU WEATHER CLOUDY/FAIR COUNTY OTTAWA  
 R.C. AUBLE TEMP. 55°F TOWNSHIP CARROLL  
 SECTION 5  
 DWG BY NIESE PID 107903 T 7 N R 15 E

TYPE MONUMENT MAG/WASHER  
 ON SURFACE - ~~BELOW~~ ON  
 OFFSET 5.0' LT : ~~RT~~  
5.1' TO LT EDGE PAVEMENT  
 STATION: 511+12



HORZ.DATUM: NAD83(2011) GEOID: NAVD88 2012A  
 GRID: NORTHING: 704218.102 EASTING: 1792037.176

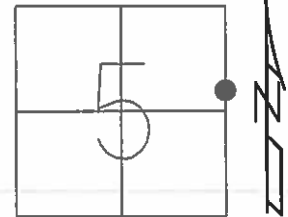
RECORD:  
 FD MAG NAIL  
 2/01/06  
 SET BY OTHERS  
 FD MAG NAIL  
 6/18/08, SAH  
 SET MAG/WASHER  
 10/28/09, SAH  
 FD MAG/WASHER  
 5/20/20, JLL  
 SET MAG/WASHER  
 3-24-21, DSA



O.D.O.T. DISTRICT 2 SURVEY OFFICE (USE ONLY)

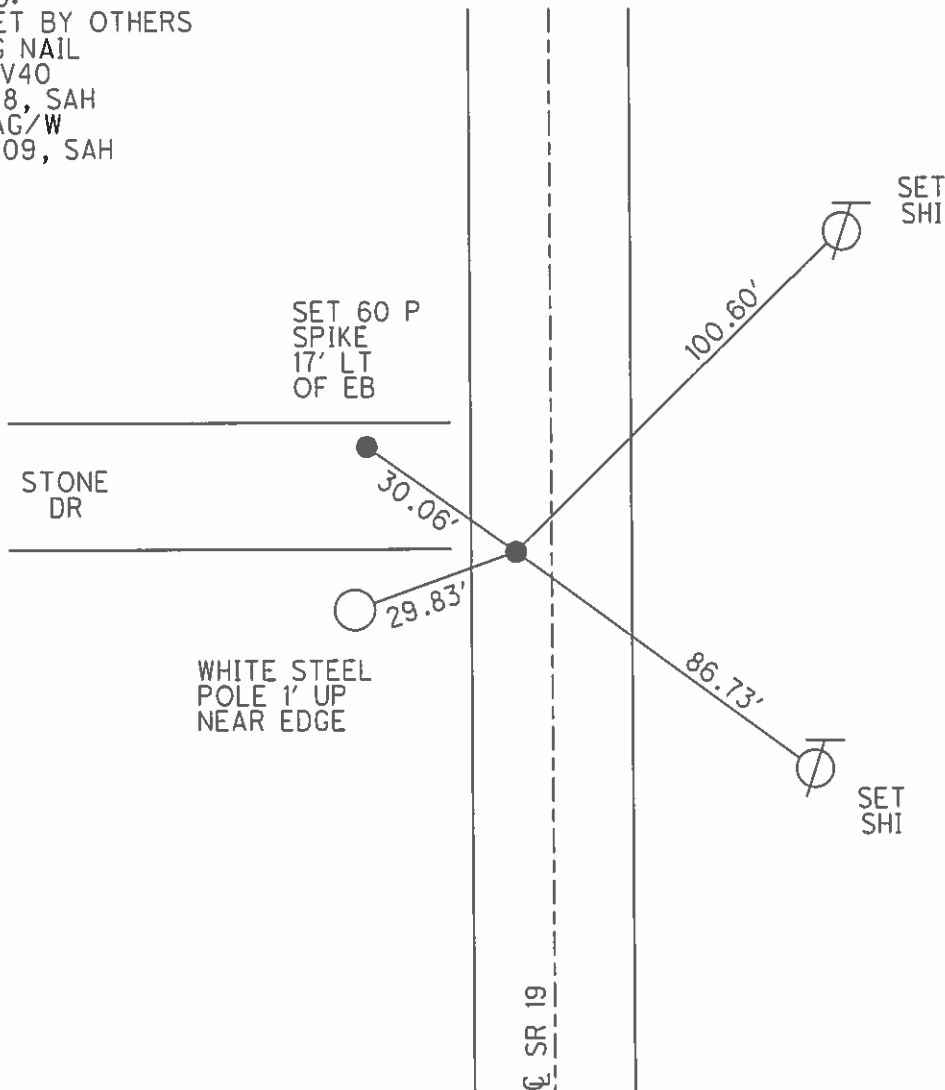
PERSONNEL	REFERENCE NO.	<u>40</u>	SHEET	<u>29</u>	OF	<u>29</u>
NOTES	DATE	<u>2/01/06</u>	ROUTE	<u>SR 19</u>		
H.C. <u>HUSS</u>	WEATHER	<u>PT CLDY FAIR</u>	COUNTY	<u>OTTAWA</u>		
R.C. <u>NUHFER</u>	TEMP.	<u>32°</u>	TOWNSHIP	<u>CARROLL</u>		
			SECTION	<u>5</u>		
				<u>T 7</u>	<u>N</u>	<u>R 15</u>
				<u>E</u>		

TYPE MONUMENT MAG NAIL  
 ON SURFACE - ~~BELOW~~ ON  
 LEFT - ☉ PAV'T - RIGHT 4.4'  
5.1' TO LT EDGE PAVEMENT  
 S.L.M. 511+12



GRID: NORTHING: 704218.159 EASTING: 1792037.145

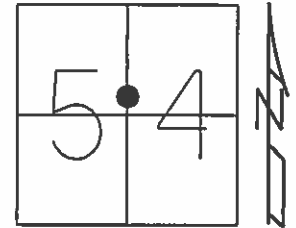
RECORD:  
 MON SET BY OTHERS  
 FD MAG NAIL  
 GPS, SV40  
 6/18/08, SAH  
 SET MAG/W  
 10/28/09, SAH



O.D.O.T. DISTRICT 2 SURVEY OFFICE (USE ONLY)

PERSONNEL \_\_\_\_\_ REFERENCE NO. 40 SHEET 33 OF 33  
 NOTES HUSS DATE 2-01-06 ROUTE SR 19  
 H.C. NUHFER WEATHER PT CLDY FAIR COUNTY OTTAWA  
 R.C. RYAN TEMP. 32° TOWNSHIP CARROLL  
 \_\_\_\_\_ SECTION 4,5  
 \_\_\_\_\_ T 7 N R 15 E

TYPE MONUMENT MAG NAIL  
 ON SURFACE - ~~BELOW~~ ON \_\_\_\_\_  
 LEFT - ☉ PAV'T - ~~RIGHT~~ 4.4'  
5.1' TO LT EDGE PAVEMENT  
 S.L.M. 511+12



Grid: Northing: 704218.159 Easting: 1792037.145

MON SET BY OTHERS

FD MAG NAIL  
 GPS, SV40  
 6/18/08, SAH

SET MAG/W  
 10-28-09  
 SAH

