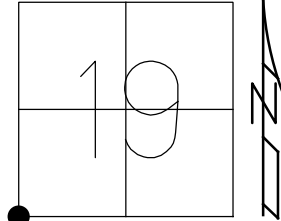


O.D.O.T. DISTRICT 2 SURVEY OFFICE (USE ONLY)

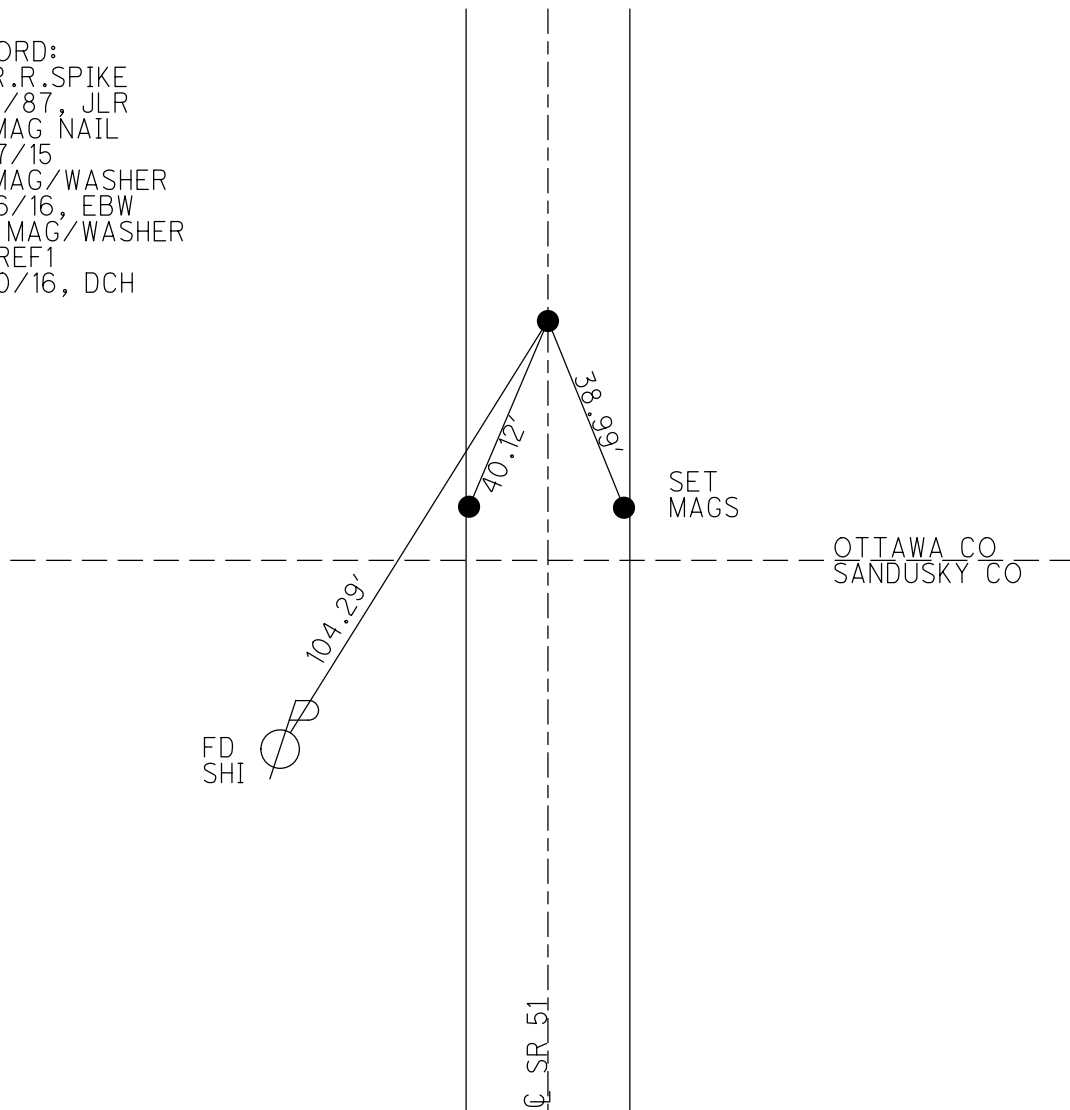
PERSONNEL _____ REFERENCE NO. 1 SHEET 1 OF 7
 NOTES BALBAUGH DATE 4/15/20 ROUTE SR 51
 H.C. LEU WEATHER CLOUDY COUNTY OTTAWA
 R.C. BALBAUGH TEMP. 39° TOWNSHIP HARRIS
 DWG BY NIESE PID 94324 SECTION 19
 T 6 N R 14 E

TYPE MONUMENT MAG/WASHER
 ON SURFACE - ~~BELOW~~ ON
 OFFSET \odot PAVEMENT ON LT : RT
- TO - EDGE PAVEMENT
 STATION: 0+00



HORIZ. DATUM: NAD83 2011 GEOID: NAVD88 2012A
 GRID: NORTHING: 653552.341 EASTING: 1749345.865

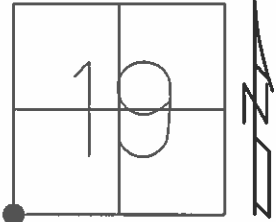
RECORD:
 FD R.R. SPIKE
 9/21/87, JLR
 FD MAG NAIL
 4/27/15
 FD MAG/WASHER
 4/26/16, EBW
 SET MAG/WASHER
 NEWREF1
 9/30/16, DCH



O.D.O.T. DISTRICT 2 SURVEY OFFICE (USE ONLY)

PERSONNEL _____ REFERENCE NO. 1 SHEET 1 OF 7
 NOTES LEU DATE 04-26-16 ROUTE SR 51
 H.C. HOMAN WEATHER PARTLY CLDY COUNTY OTTAWA
 R.C. LEU TEMP. 62°F TOWNSHIP HARRIS
 _____ SECTION 19
 _____ T 6 N R 14 E

TYPE MONUMENT MAG/WASHER
 ON SURFACE - ~~BELOW~~ ON
 LEFT - ☉ PAV'T - RIGHT ON
- TO - EDGE PAVEMENT
 S.L.M. 0+00



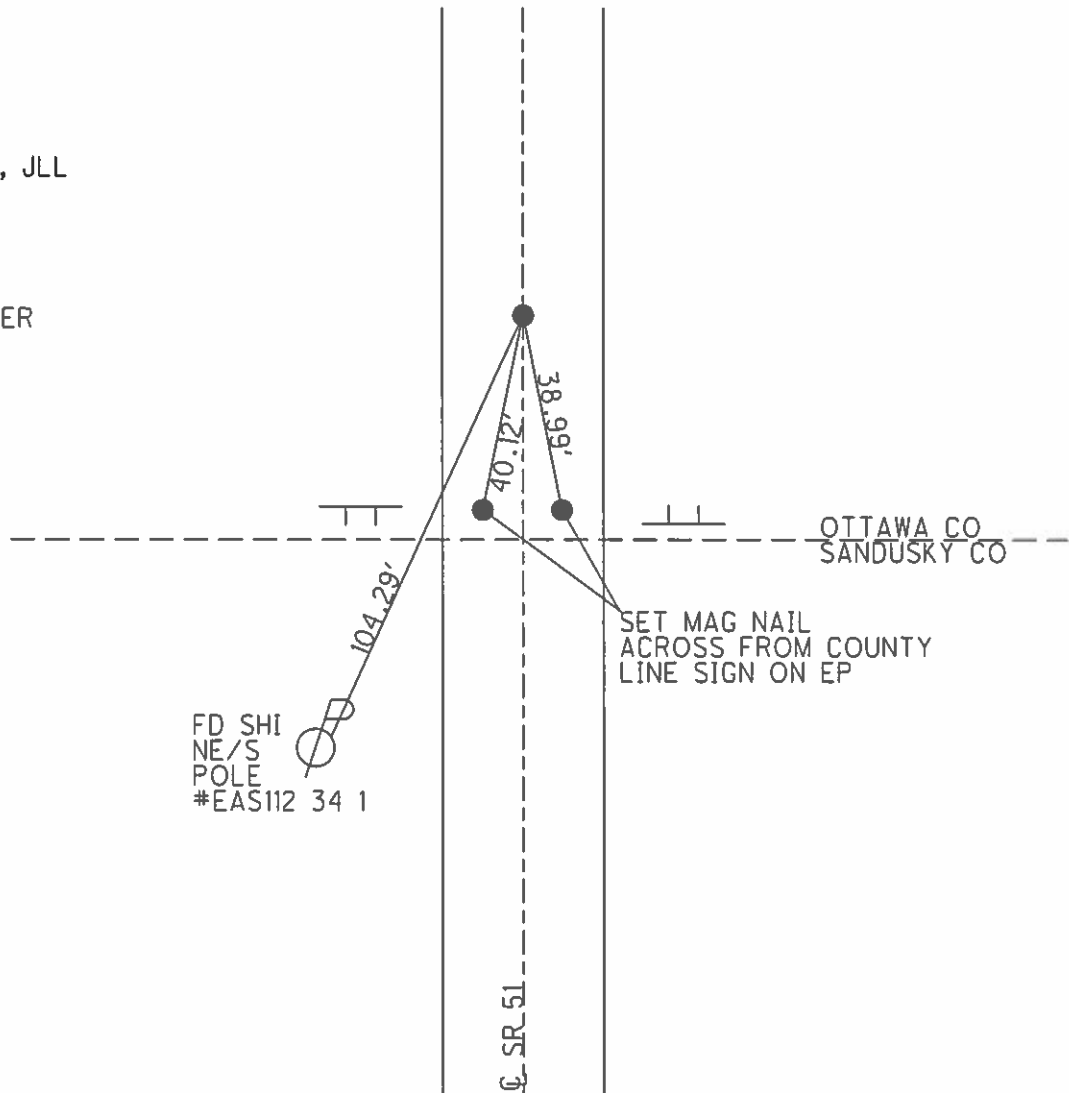
Grid: Northing: 653552.4051 Easting: 1749345.939

- RECORD:
- RR SPIKE
- AT SURFACE
- 9-21-87

- FD MAG NAIL
- GPS, REF1
- 04-27-15, EBW, JLL

- FD MAG NAIL
- GPS, REF1
- 04-26-16

- SET MAG/WASHER
- GPS, NEWREF1
- 09-30-16, DCH



O.D.O.T. DISTRICT 2 SURVEY OFFICE

PERSONNEL _____

REFERENCE NO. 6

SHEET _____ OF _____

NOTES Rousos

H.C. Huss

R.C. VAN DUSEN

DATE 5/10/00

WEATHER Cloudy

TEMP. 50°F

ROUTE SRS1

COUNTY SANDUSKY/OTTAWA

TOWNSHIP HARRIS, OH CO. WASHINGTON/WOODVILLE SAN. CO.

SECTION 24, 19, 25, 30

T. 15 N R. 13 E
14 E

24	19
25	30



TYPE MONUMENT _____

ON SURFACE - BELOW _____

LEFT - \odot PAV'T. - RIGHT _____

TO _____ EDGE PAVEMENT

S.L.M. OTT CO. LINE

Sta 0+00 OTTAWA
Sta 120+31 Sandusky
+ 1" in conc. Pymnt.
RR Spk. on top
 $\Delta = 0^{\circ} 09' Lt.$

Note:
Pt. has to be relocated by
county engineer.

OTTAWA CO.

SANDUSKY CO

LINE

LINE



O.D.O.T. DISTRICT 2 SURVEY OFFICE

PERSONNEL _____

REFERENCE NO. 1

SHEET 1 OF _____

NOTES Crovin

H.C. Ripple

R.C. Barbour

Geyman

DATE 9/21/87

WEATHER sunny

TEMP. 63°

ROUTE # 51

COUNTY Sandusky

TOWNSHIP Woodville

SECTION 30

T 6 N R 14 E

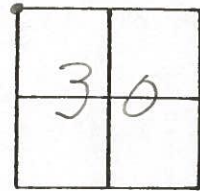
TYPE MONUMENT R.R. spike

ON SURFACE - BELOW 2" below surface

LEFT - CL PAV'T. - RIGHT R Pav't

TO _____ EDGE PAVEMENT

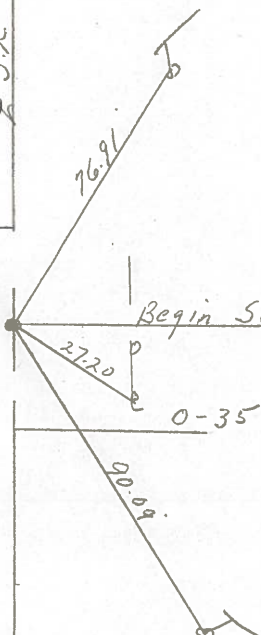
S.L.M. _____



51 R # 51 D

Ottawa Co. 0+29.9
Sandusky Co.

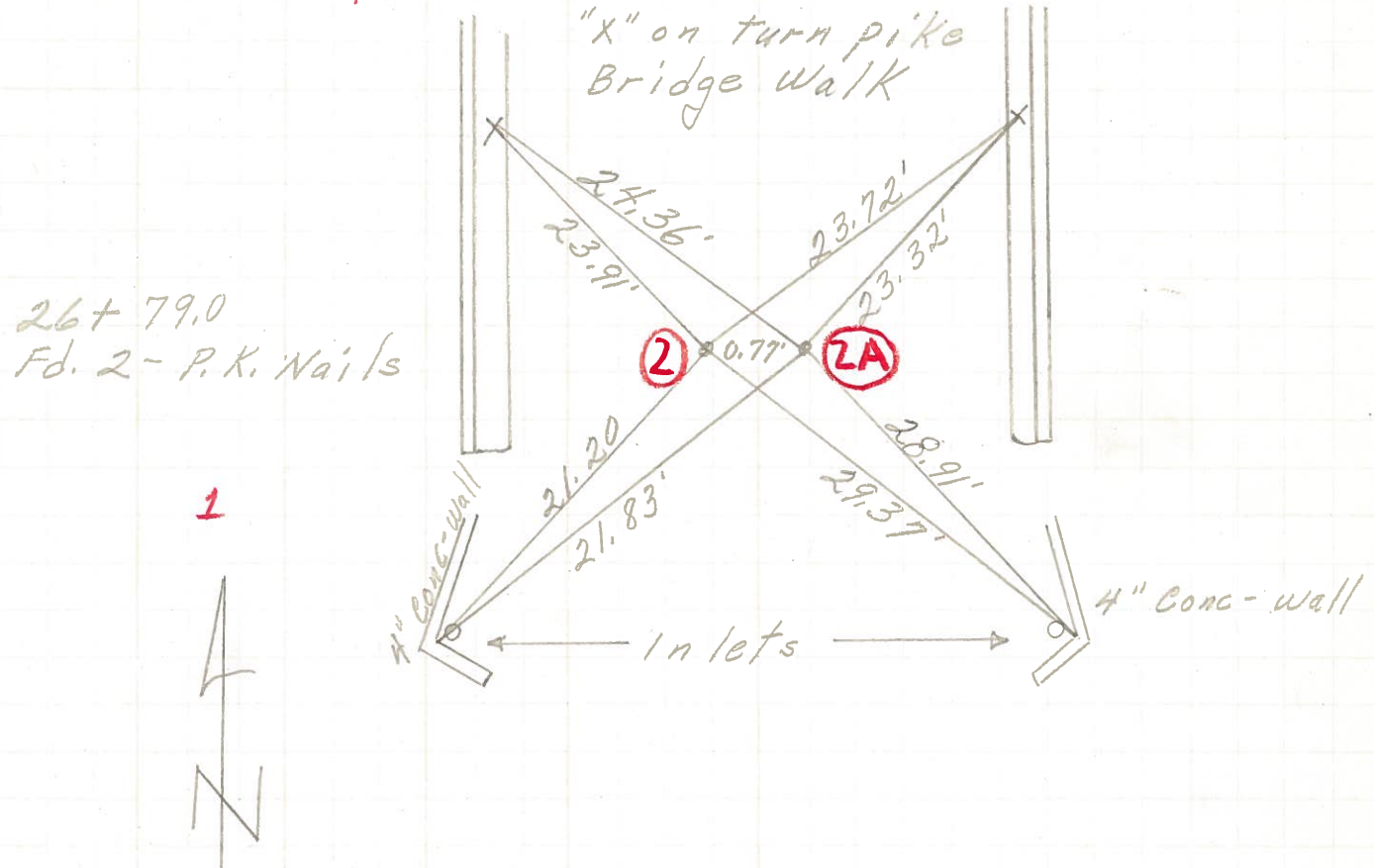
R.R. spike atop 4'
in conc. pavement
below surface



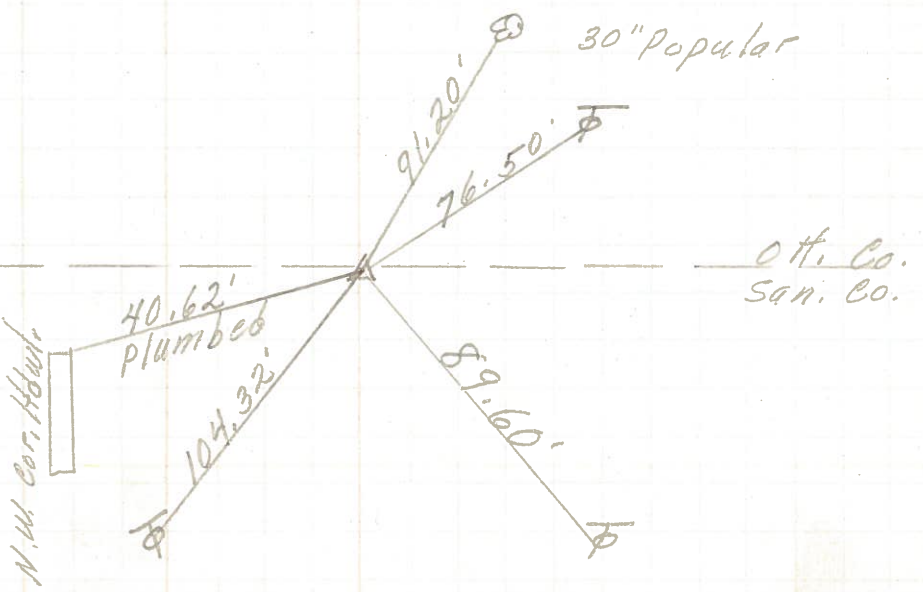
Ottawa Co
Sandusky Co

PERSONNEL	TITLE	PERSONNEL	TITLE	COUNTY	DATE
<u>Schneider</u>				<u>Ottawa</u>	<u>1-3-72</u>
<u>Mosser</u>				S. R. <u>51</u>	WEATHER <u>Fair</u>
<u>Barbour</u>				SEC. <u>24 & 19</u>	TEMP. <u>35°</u>
<u>Vinson</u>				DESCRIPTION <u>Clay & Harris Twp's</u>	JOB NO. _____

Note!! Red Sta. begins at Wood county line.



①.
 120+31 San. Co. =
 0+00 Ott. Co.
 "+" in Conc. Perm't.
 R. R. Spk. on top
 $\Delta = 0^{\circ}09' Lt.$
 # 5 - San. Co. =
 # 0 - Ott. Co.



PERSONNEL TITLE PERSONNEL TITLE

Schneider _____ Redding _____
Mossier _____ ✓ _____
Barbour _____ _____
Potts _____ _____

COUNTY Ottawa DATE 7-10-68

S. R. 51 WEATHER Fair

SEC. Wood Co. Line - East TEMP. 70°

DESCRIPTION Ties for Control Points JOB NO. _____

LEFT

CENTER LINE

RIGHT

