

O.D.O.T. DISTRICT 2 SURVEY OFFICE (USE ONLY)

PERSONNEL

REFERENCE NO. 7

SHEET 3 OF 18

NOTES BALBAUGH

DATE 4/15/20

ROUTE SR 51

H.C. LEU

WEATHER CLOUDY

COUNTY OTTAWA

R.C. BALBAUGH

TEMP. 39°

TOWNSHIP HARRIS

SECTION 18

DWG BY NIESE PID 94324

T 6 N R 14 E

TYPE MONUMENT MAG/WASHER

ON SURFACE - ~~BELOW~~ ON

OFFSET Q PAVEMENT ON LT : RT

11.7' TO RT EDGE PAVEMENT

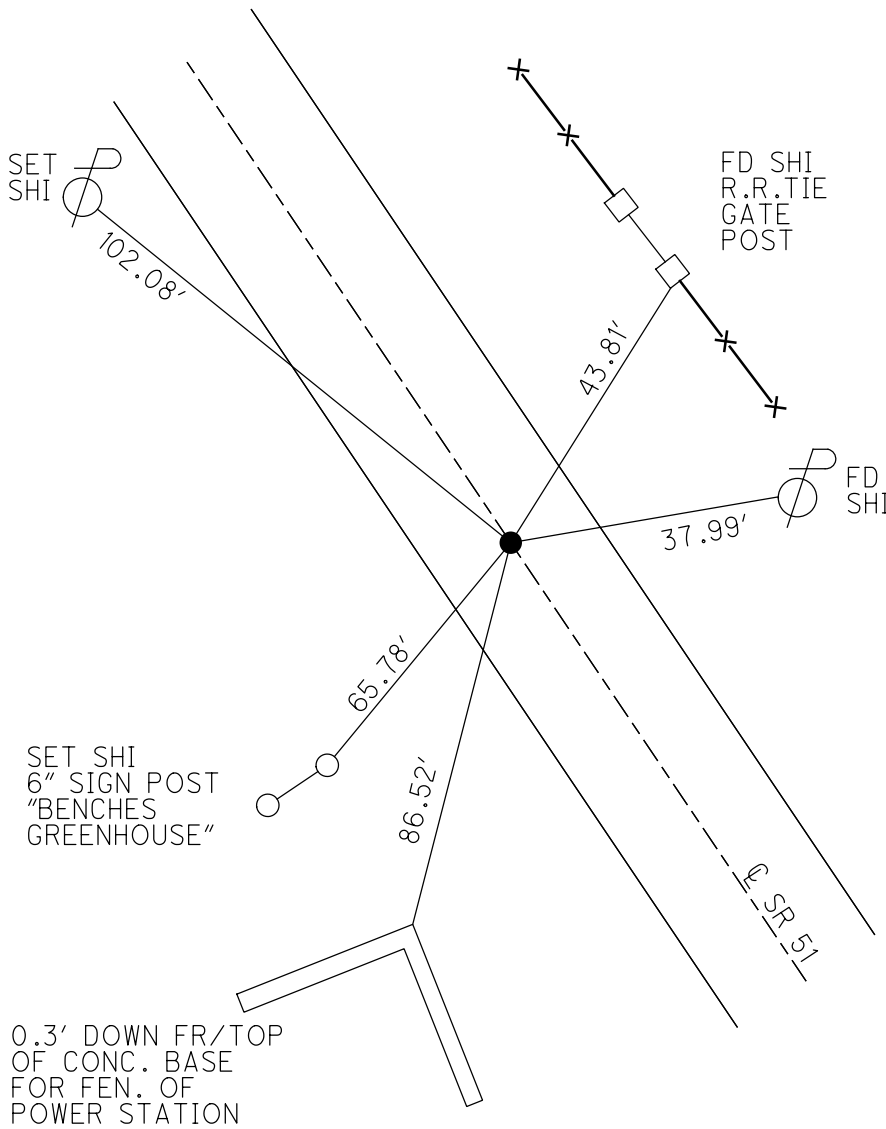
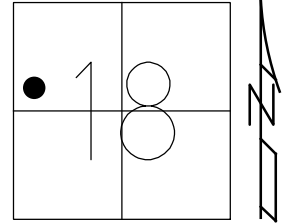
STATION: 88+52.27

HORZ.DATUM: NAD83 2011

GEOID: NAVD88 2012A

GRID: NORTHING: 661677.346

EASTING: 1750005.696

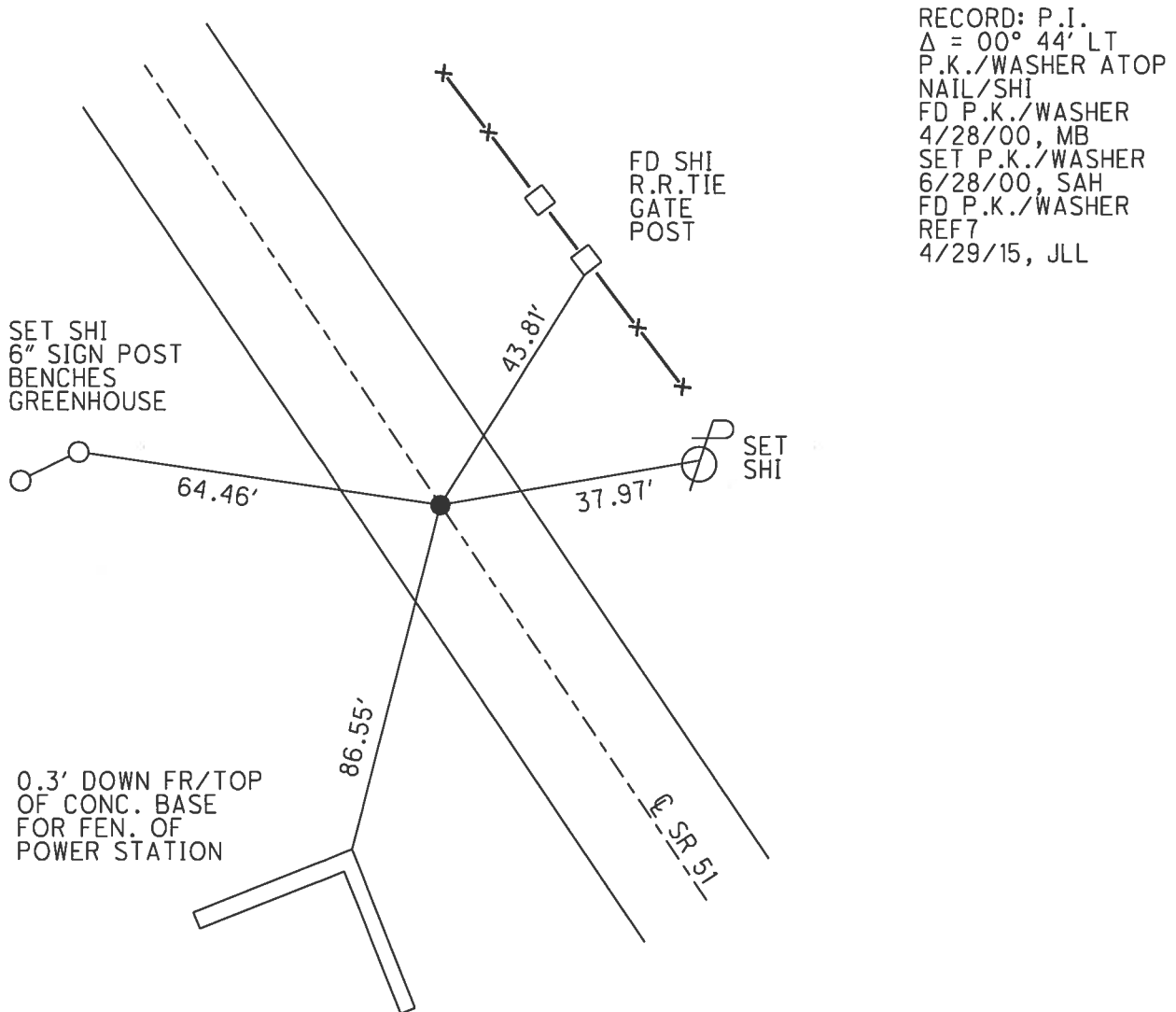
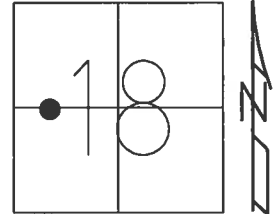


RECORD: P.I.  
 $\Delta = 00^{\circ}44'00''$  LT  
 P.K./WASHER  
 ATOP NAIL/SHI  
 FD P.K./WASHER  
 4/28/00, MB  
 SET P.K./WASHER  
 6/28/00, SAH  
 FD P.K./WASHER  
 REF7  
 4/29/15, JLL  
 SET MAG/WASHER  
 10/13/20, DSA

O.D.O.T. DISTRICT 2 SURVEY OFFICE (USE ONLY)

PERSONNEL	REFERENCE NO.	<u>7</u>	SHEET	<u>2</u>	OF	<u>16</u>
NOTES	<u>BARNHISEL</u>	DATE	<u>4/28/00</u>	ROUTE	<u>SR 51</u>	
H.C.	<u>CANTERBURY</u>	WEATHER	<u>SUNNY</u>	COUNTY	<u>OTTAWA</u>	
R.C.	<u>MOSER</u>	TEMP.	<u>55°</u>	TOWNSHIP	<u>HARRIS</u>	
	<u>HOMAN</u>			SECTION	<u>18</u>	
				T	<u>6</u>	R
					<u>14</u>	E

TYPE MONUMENT P.K./WASHER  
 ON SURFACE - ~~BELOW~~ ON  
~~LEFT~~ - CL PAV'T - RIGHT 0.3'  
11.7' TO RT EDGE PAVEMENT  
 S.L.M. 88+52.27  
 Grid: Northing: 661677.331 Easting: 1750005.659



O.D.O.T. DISTRICT 2 SURVEY OFFICE

PERSONNEL

REFERENCE NO. 7

SHEET 1 OF 17

NOTES Barnhiser

H.C. Canterbury

DATE 4-28-00

ROUTE 51

R.G. Moser

WEATHER Sunny

COUNTY OTTAWA

TEMP. 55°

TOWNSHIP HARRIS

DRAWN BY - HOMAN

SECTION 18

T. 6 N. R. 14 E.

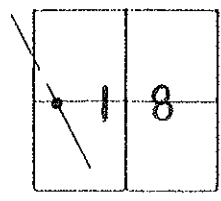
TYPE MONUMENT P.K. & WASHER

ON SURFACE - BELOW Yes

LEFT - C PAV'T. - RIGHT 0.3

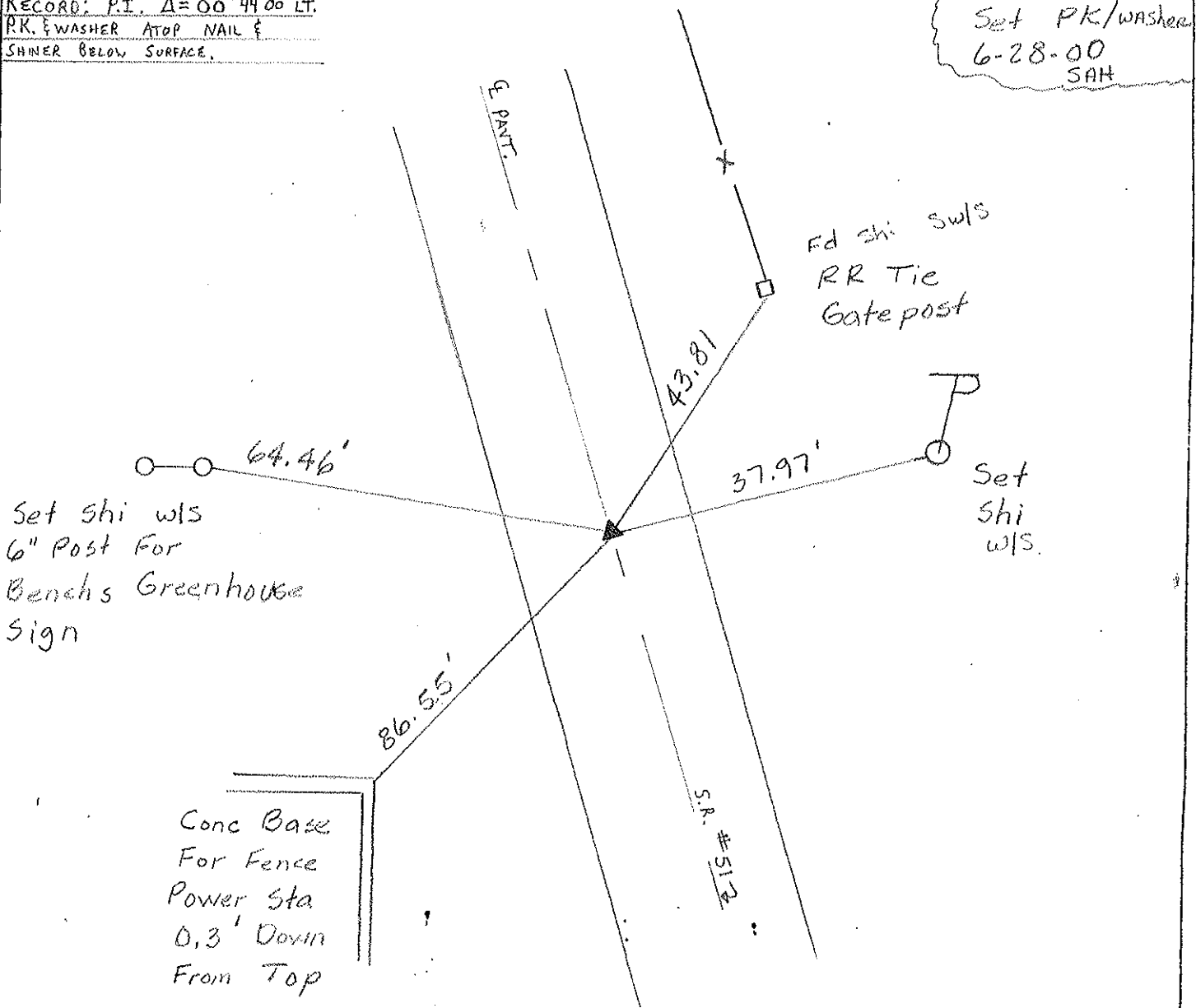
11.7 TO Rt. EDGE PAVEMENT

S.L.M. 88 + 94



RECORD: P.I.  $\Delta = 00^{\circ} 44' 00''$  LT.  
 P.K. & WASHER ATOP NAIL &  
 SHINER BELOW SURFACE.

Set PK/washer  
 6-28-00  
 SAH



# O.D.O.T. DISTRICT 2 SURVEY OFFICE

PERSONNEL \_\_\_\_\_

REFERENCE NO. 7

SHEET 6 OF \_\_\_\_\_

NOTES Cronin

H.C. Ripple

R.C. Barbour

Geyman

DATE 9/21/87

WEATHER cloudy

TEMP. 65°

ROUTE 51

COUNTY Ottawa

TOWNSHIP Harris

SECTION 18

T 6 N R 14 E

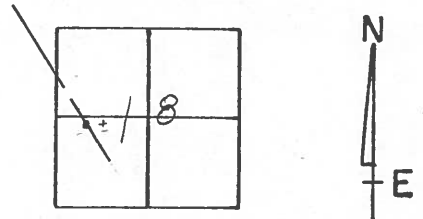
TYPE MONUMENT P.K. washer

ON SURFACE - BELOW on surface

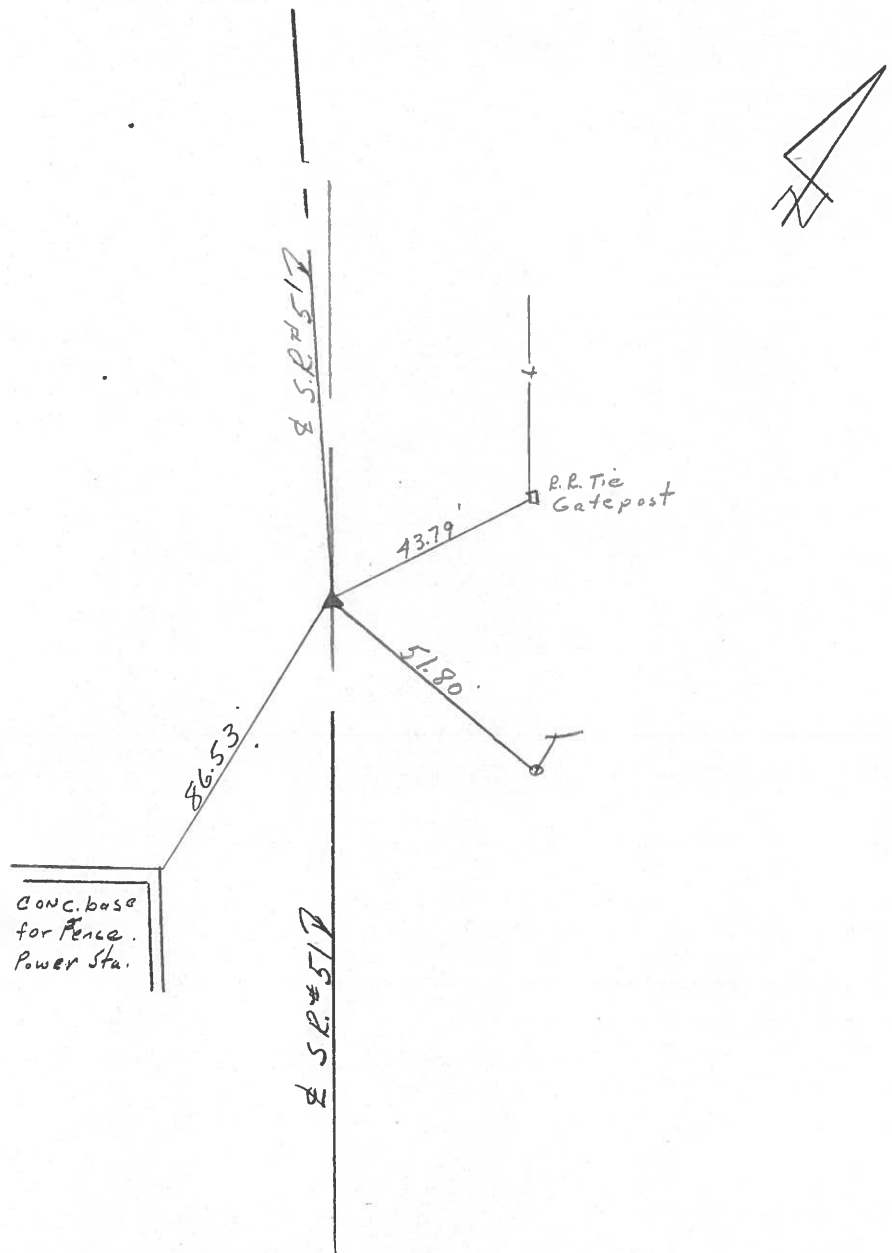
LEFT - € PAV'T. - RIGHT € Pav't

TO \_\_\_\_\_ EDGE PAVEMENT

S.L.M. 8845923



P.I. A = 00°44'00" Lt.  
P.K. washer a top  
rail & shiner below surface



PERSONNEL	TITLE	PERSONNEL	TITLE

COUNTY Ottawa DATE 1-10-72

S. R. 51 WEATHER Cloudy

SEC. E/more-west TEMP. 35°

DESCRIPTION Clay Twp. & Harris Twp JOB NO. \_\_\_\_\_

P.I.  
88+59.23  
 $\Delta = 0^\circ 44' Lt.$   
Fdn. N. & S.

•7 conc-base  
for fence  
of Power Co.

P.I.  
83+40.5  
 $\Delta = 12^\circ 34' Lt.$

6

71+06.64  
P.K. Nail  
477+33.25

5

