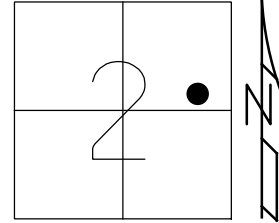


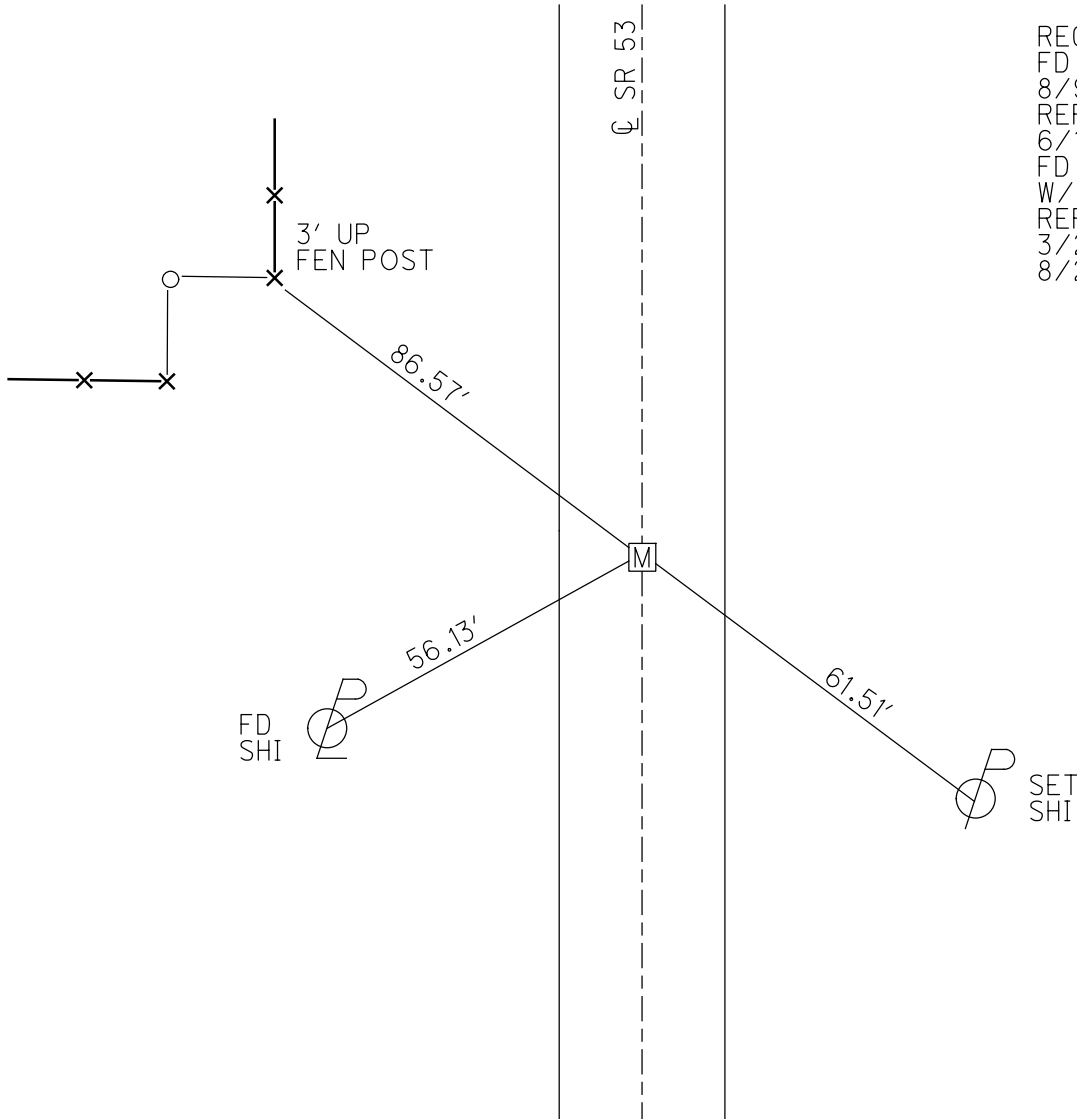
O.D.O.T. DISTRICT 2 SURVEY OFFICE (USE ONLY)

PERSONNEL \_\_\_\_\_ REFERENCE NO. 22 SHEET 4 OF 12  
 NOTES RHOADES DATE 8/22/22 ROUTE SR 53  
 H.C. NIESE WEATHER CLOUDY COUNTY OTTAWA  
 R.C. AUBLE TEMP. 71° TOWNSHIP PORTAGE  
 \_\_\_\_\_ SECTION 2  
 \_\_\_\_\_ T 6 N R 17 E

TYPE MONUMENT MONBOX W/1" IPIN  
 ON SURFACE - ~~BELOW~~ ON  
 LEFT - ☉ PAV'T - RIGHT ON  
13' TO RT EDGE PAVEMENT  
 S.L.M. 646+85.04  
 GRID: NORTHING: 671644.09 EASTING: 1870239.77



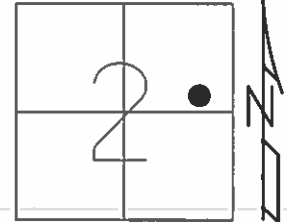
RECORD:  
 FD MONBOX  
 8/9/00, TMR  
 REF10  
 6/14/04, MB  
 FD MONBOX  
 W/1" IPIN  
 REF22  
 3/2/21, DSA  
 8/22/22, TDN



O.D.O.T. DISTRICT 2 SURVEY OFFICE (USE ONLY)

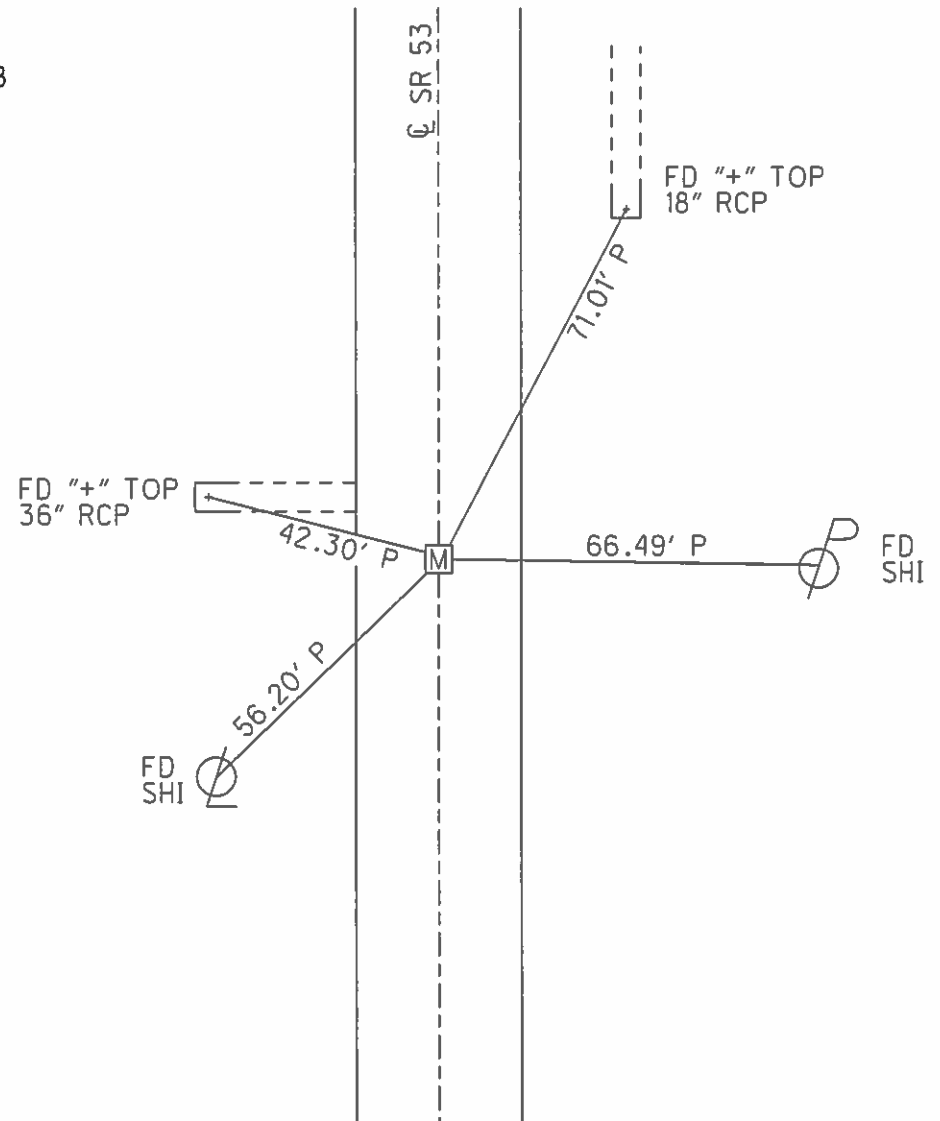
PERSONNEL \_\_\_\_\_ REFERENCE NO. 22 SHEET 3 OF 11  
 NOTES VAN DUSEN DATE 8/9/00 ROUTE SR 53  
 H.C. ROUSOS WEATHER CLOUDY COUNTY OTTAWA  
 R.C. BROWN TEMP. 79° TOWNSHIP PORTAGE  
 \_\_\_\_\_ SECTION 2  
 \_\_\_\_\_ T 6 N R 17 E

TYPE MONUMENT MON BOX  
 ON SURFACE - ~~BELOW~~ ON  
 LEFT - ☉ PAV'T - RIGHT ON  
13' TO RT EDGE PAVEMENT  
 S.L.M. 646+85.04



GRID: NORTHING: 6671644.09 EASTING: 1870239.77

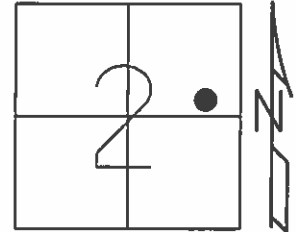
RECORD:  
 GPS, 10  
 6/14/04, MB



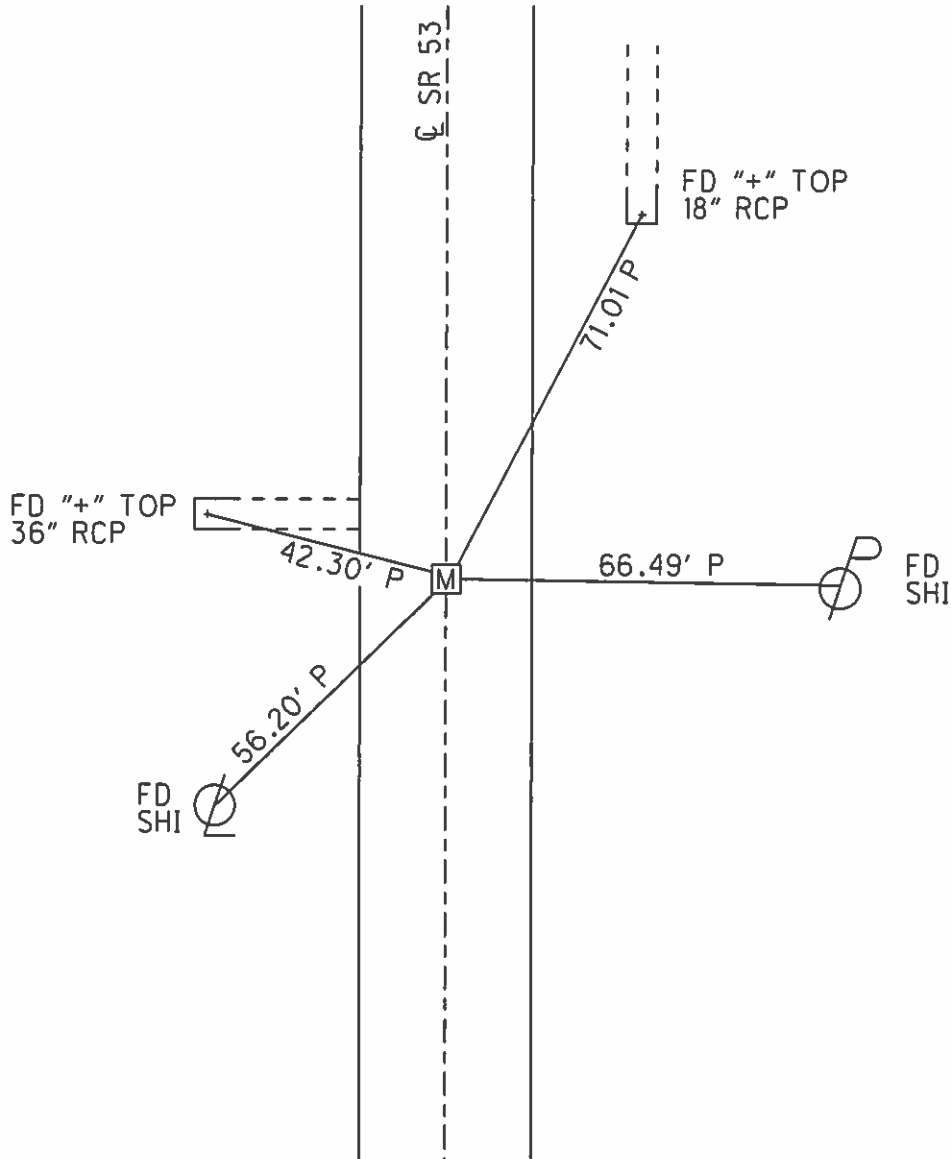
O.D.O.T. DISTRICT 2 SURVEY OFFICE (USE ONLY)

PERSONNEL \_\_\_\_\_ REFERENCE NO. 22 SHEET 3 OF 11  
 NOTES VAN DUSEN DATE 8/9/00 ROUTE SR 53  
 H.C. ROUSOS WEATHER CLOUDY COUNTY OTTAWA  
 R.C. BROWN TEMP. 79° TOWNSHIP PORTAGE  
 \_\_\_\_\_ SECTION 2  
 \_\_\_\_\_ T. 6 N R. 17 E

TYPE MONUMENT MONBOX  
 ON SURFACE - ~~BELOW~~ ON  
 LEFT - ℄ PAV'T - RIGHT ON  
13' TO RT EDGE PAVEMENT  
 S.L.M. 646+85.04  
 Grid: Northing: 6671644.09 Easting: 1870239.77



GPS, 10  
 6/14/04, MB



# O.D.O.T. DISTRICT 2 SURVEY OFFICE

PERSONNEL

REFERENCE NO. 22

SHEET 2 OF 8

NOTES Van Dusen

H.C. Rousos

R.C. Brown

DATE 8-9-00

WEATHER Cloudy

TEMP. 79°

ROUTE SR 53

COUNTY OTTAWA

TOWNSHIP PORTAGE

SECTION 2

T. 6 N R. 12 E

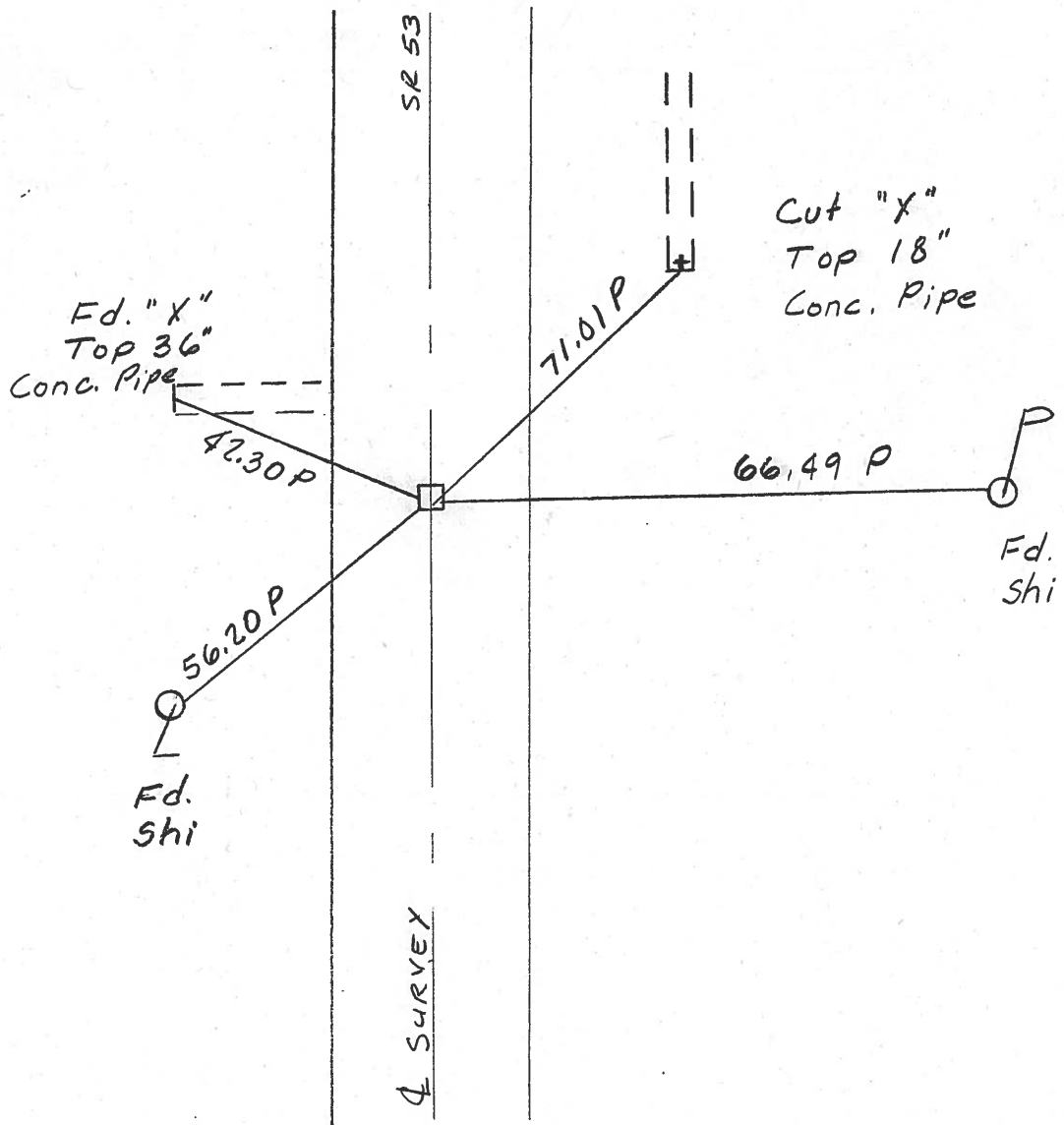
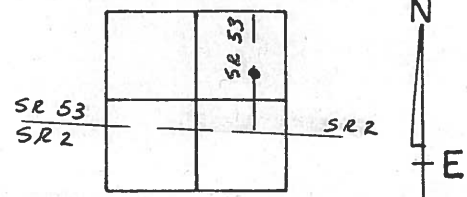
TYPE MONUMENT Iron Pin in Monument Box

ON SURFACE - BELOW Yes

LEFT - ~~C~~ PAV'T. - ~~RIGHT~~ Yes

13 TO RT. EDGE PAVEMENT

S.L.M. 628 + 61.06



# O.D.O.T. DISTRICT 2 SURVEY OFFICE

PERSONNEL \_\_\_\_\_

REFERENCE NO. 22

SHEET 3 OF 5

NOTES HOFFMAN

H.C. BARNHISEL

DATE 10-30-89

ROUTE SR 53

R.C. \_\_\_\_\_

WEATHER CLEAR

COUNTY OTTAWA

\_\_\_\_\_

TEMP. 79°

TOWNSHIP PORTAGE

\_\_\_\_\_

SECTION 2

T. 6 N. R. 17 E

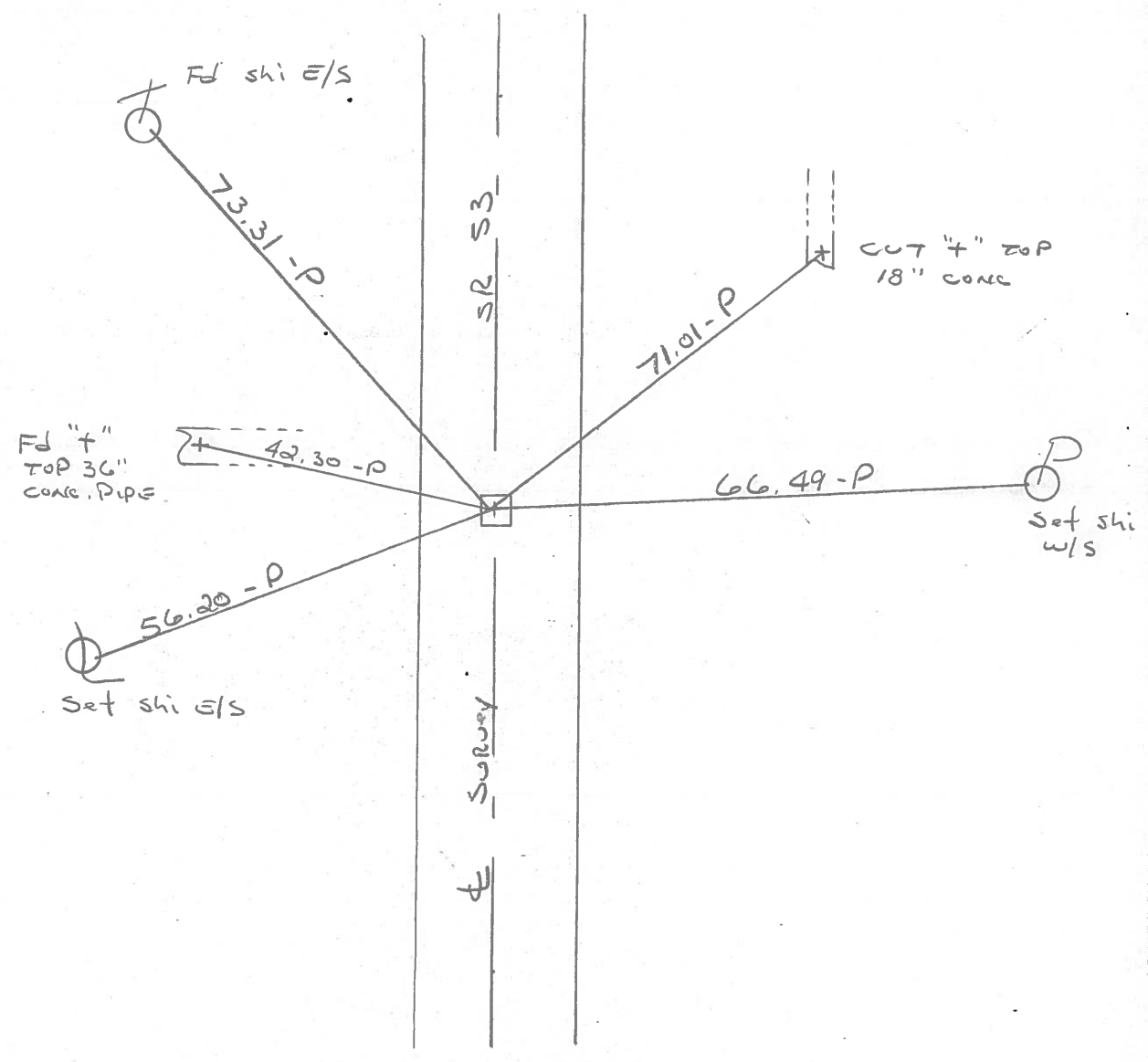
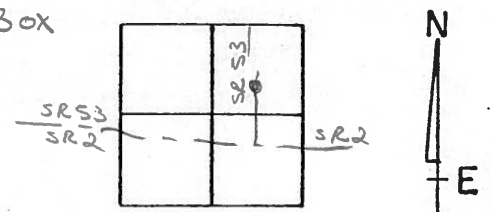
TYPE MONUMENT IRON PIN IN MONUMENT BOX

ON SURFACE - BELOW YES

~~LEFT~~ - ~~C~~ PAV'T. - ~~RIGHT~~ YES

TO EDGE PAVEMENT

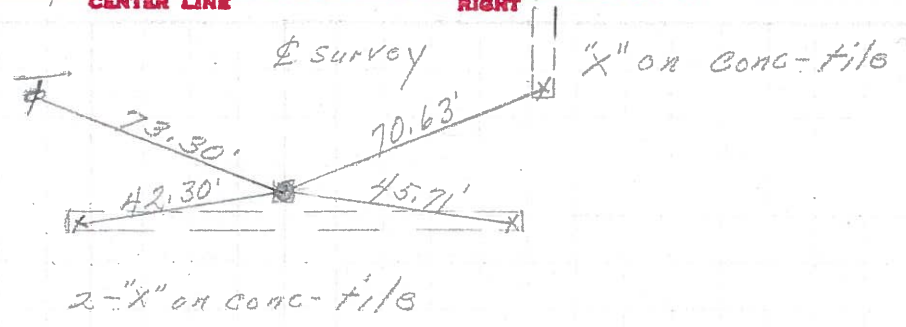
S.L.M. 628 + 61.06



PERSONNEL	TITLE	PERSONNEL	TITLE	COUNTY	DATE
Schneider				Ottawa	6-12-72
Mosser				S. R. 53	WEATHER Cloudy
Barbour				SEC. 11.85-12.90	TEMP. 70°
Geyman					
DESCRIPTION Portage Twp.				JOB NO.	

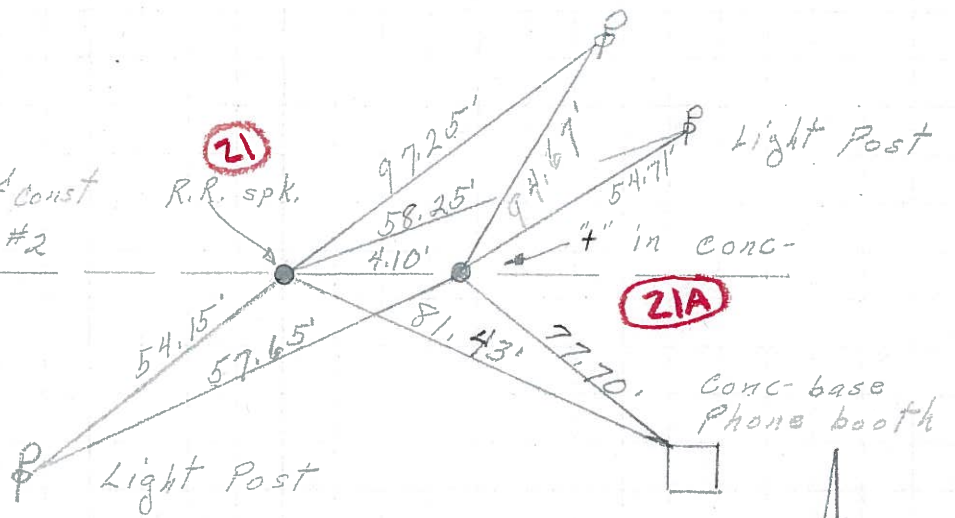
P.O.T.  
63+00  
Mon. Box  
Survey & Const.

22.



P.O.T. 58+76.79 & Survey & Const  
P.O.T. 19+95.90 & Survey Exist. S.R.#2  
0+00 & R/w S.R. 53

21



52+00  
Mon. Box

20

