

O.D.O.T. DISTRICT 2 SURVEY OFFICE (USE ONLY)

PERSONNEL _____ REFERENCE NO. 25 SHEET 6 OF 12

NOTES RHOADES DATE 8/22/22 ROUTE SR 53
 H.C. NIESE WEATHER CLOUDY COUNTY OTTAWA
 R.C. AUBLE TEMP. 71° TOWNSHIP PORTAGE

DWG BY RHOADES PID 102905 SECTION 2
 T 6 N R 17 E

TYPE MONUMENT MONBOX W/1" IPIN

ON SURFACE - ~~BELOW~~ ON _____

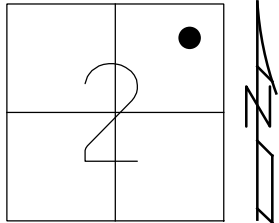
OFFSET \odot PAVEMENT 7.3' LT : ~~RT~~

6' TO LT EDGE PAVEMENT

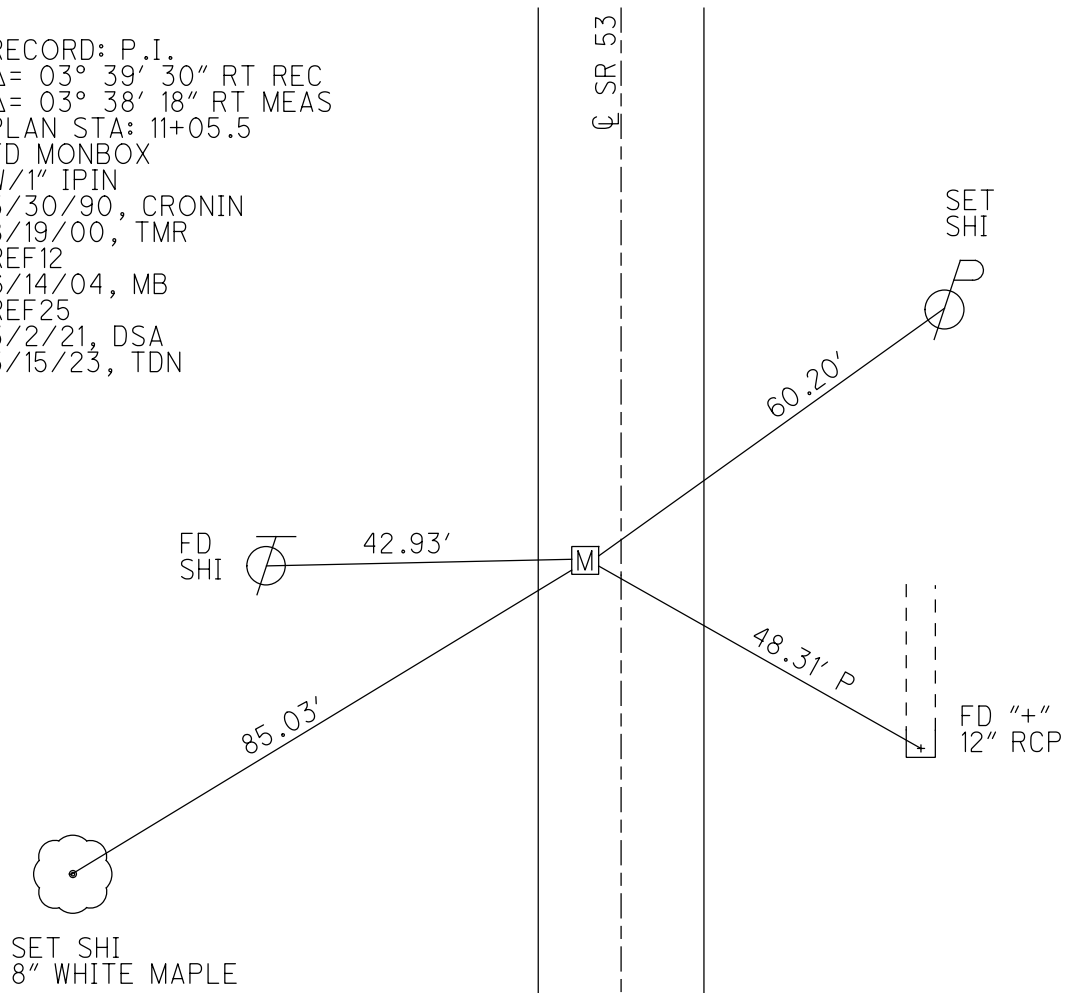
STATION: 635+04.4

HORZ.DATUM: NAD83 2011 GEOID: NAVD88 2018

GRID: NORTHING: 672256.213 EASTING: 1870052.931



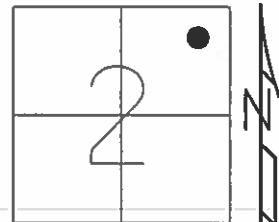
RECORD: P.I.
 $\Delta = 03^\circ 39' 30''$ RT REC
 $\Delta = 03^\circ 38' 18''$ RT MEAS
 PLAN STA: 11+05.5
 FD MONBOX
 W/1" IPIN
 5/30/90, CRONIN
 8/19/00, TMR
 REF12
 6/14/04, MB
 REF25
 3/2/21, DSA
 5/15/23, TDN



O.D.O.T. DISTRICT 2 SURVEY OFFICE (USE ONLY)

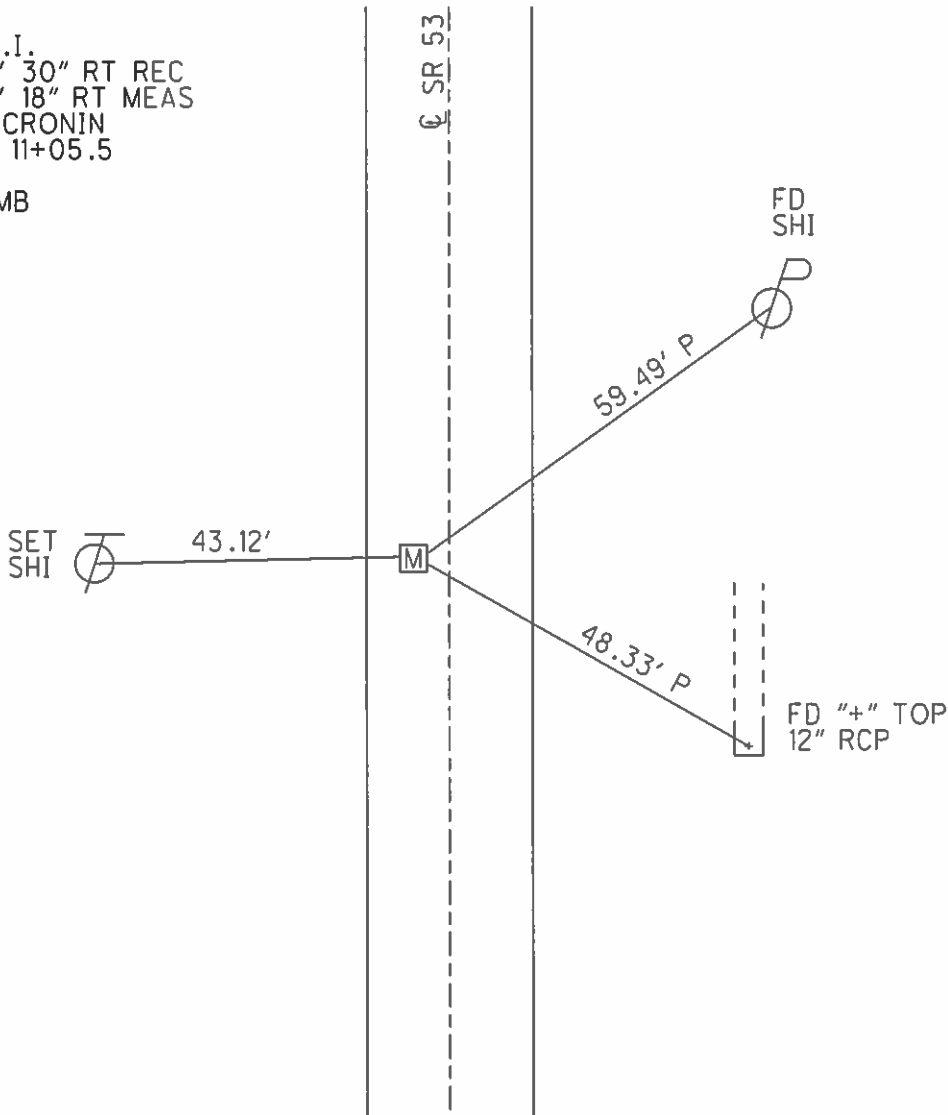
PERSONNEL _____ REFERENCE NO. 25 SHEET 5 OF 11
 NOTES VAN DUSEN DATE 8/19/00 ROUTE SR 53
 H.C. ROUSOS WEATHER CLOUDY COUNTY OTTAWA
 R.C. BROWN TEMP. 72° TOWNSHIP PORTAGE
 _____ SECTION 2
 _____ T 6 N R 17 E

TYPE MONUMENT MON BOX
 ON SURFACE - ~~BELOW~~ ON
 LEFT - Q PAV'T - ~~RIGHT~~ 6'
7.3' TO LT EDGE PAVEMENT
 S.L.M. 653+67.15



GRID: NORTHING: 672326.22 EASTING: 1870247.44

RECORD: P.I.
 $\Delta = 03^\circ 39' 30''$ RT REC
 $\Delta = 03^\circ 38' 18''$ RT MEAS
 5/30/90, CRONIN
 PLAN STA: 11+05.5
 GPS, 12
 6/14/04, MB



O.D.O.T. DISTRICT 2 SURVEY OFFICE (USE ONLY)

PERSONNEL

REFERENCE NO. 25

SHEET 5 OF 11

NOTES VAN DUSEN

DATE 8/19/00

ROUTE SR 53

H.C. ROUSOS

WEATHER CLOUDY

COUNTY OTTAWA

R.C. BROWN

TEMP. 72°

TOWNSHIP PORTAGE

SECTION 2

T 6 N R 17 E

TYPE MONUMENT MONBOX

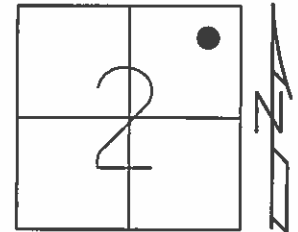
ON SURFACE - ~~BELOW~~ ON

LEFT - CL PAV'T - ~~RIGHT~~ 6'

7.3' TO LT EDGE PAVEMENT

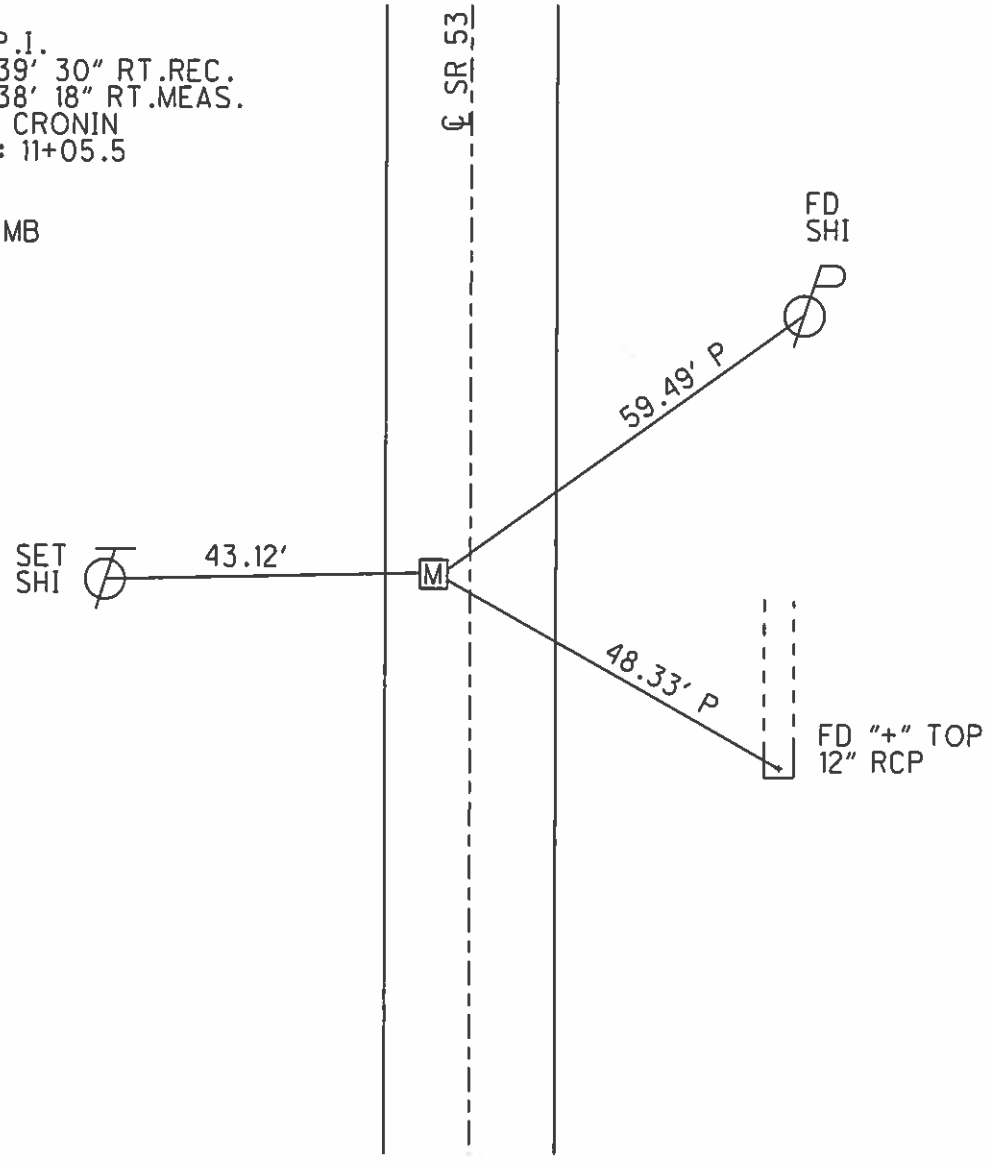
S.L.M. 653+67.15

Grid: Northing: 672326.22 Easting: 1870247.44



RECORD: P.I.
 $\Delta = 03^\circ 39' 30''$ RT.REC.
 $\Delta = 03^\circ 38' 18''$ RT.MEAS.
 5/30/90, CRONIN
 PLAN STA: 11+05.5

GPS, 12
 6/14/04, MB



O.D.O.T. DISTRICT 2 SURVEY OFFICE

PERSONNEL

REFERENCE NO. 25

SHEET 4 OF 8

NOTES Van Dusen

H.C. Rousos

R.C. Brown

DATE 8-19-00

WEATHER Cloudy

TEMP. 72°

ROUTE SR 53

COUNTY OTTAWA

TOWNSHIP Portage

SECTION 2

T6 N R 17 E

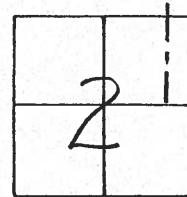
TYPE MONUMENT Iron Pin in Monument Box

ON SURFACE - BELOW Yes

LEFT - 0 PAV'T. - RIGHT 6.0

7.3 TO Lt EDGE PAVEMENT

S.L.M. 635 + 43.17



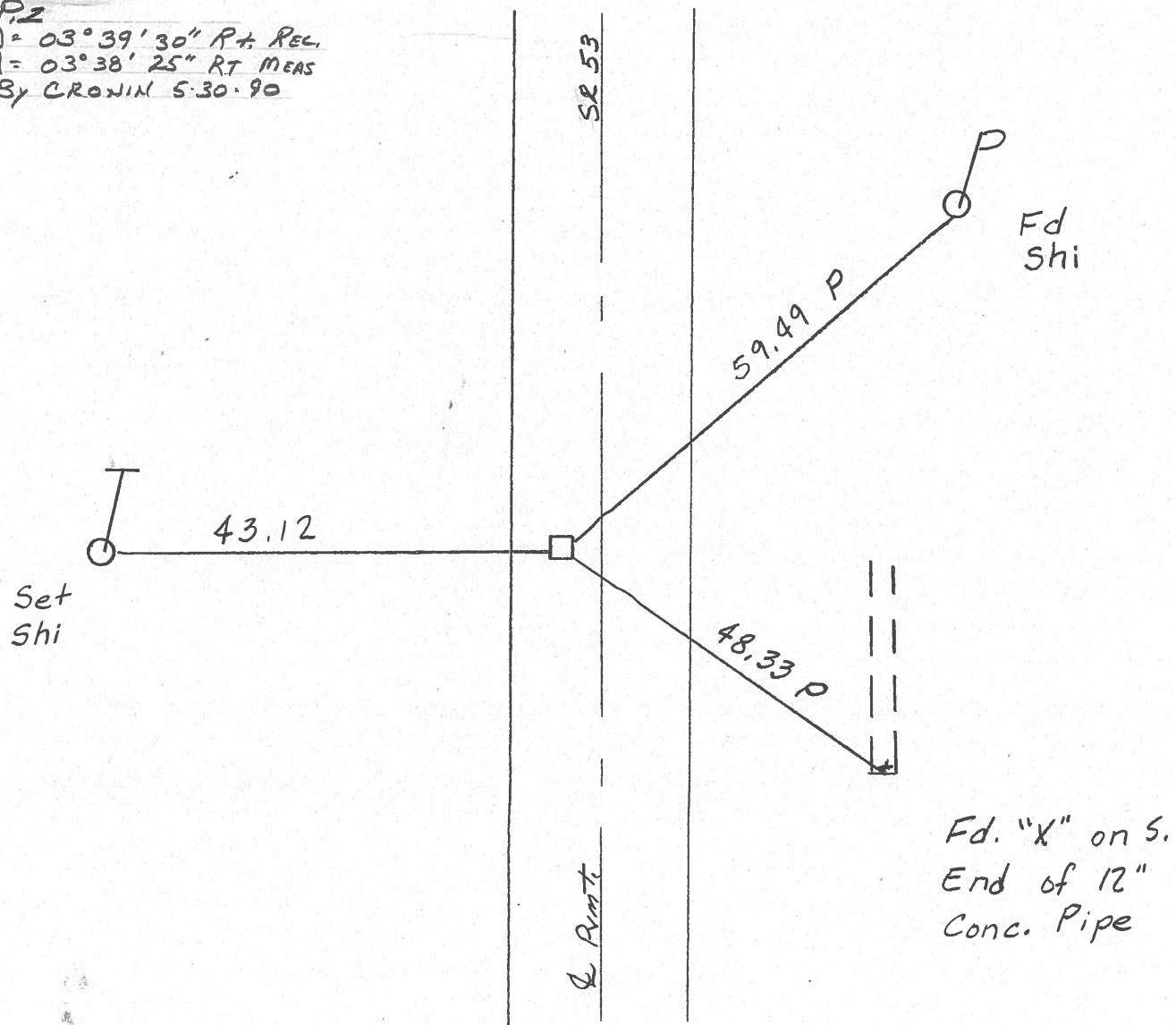
RECORD:

P.2

$\Delta = 03^{\circ} 39' 30''$ P+ REL.

$\Delta = 03^{\circ} 38' 25''$ RT MEAS

By CROWIN 5.30.90



O.D.O.T. DISTRICT 2 SURVEY OFFICE

PERSONNEL

REFERENCE NO. 25

SHEET _____ OF _____

NOTES BARNHISEL

H.C. " "

R.C. BAERBOUR

Ripple

DATE 9-14-90

WEATHER cloudy

TEMP. +75°

ROUTE SR 53

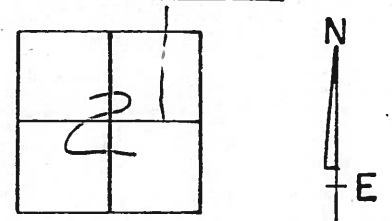
COUNTY OTTAWA

TOWNSHIP PORTAGE

SECTION 2

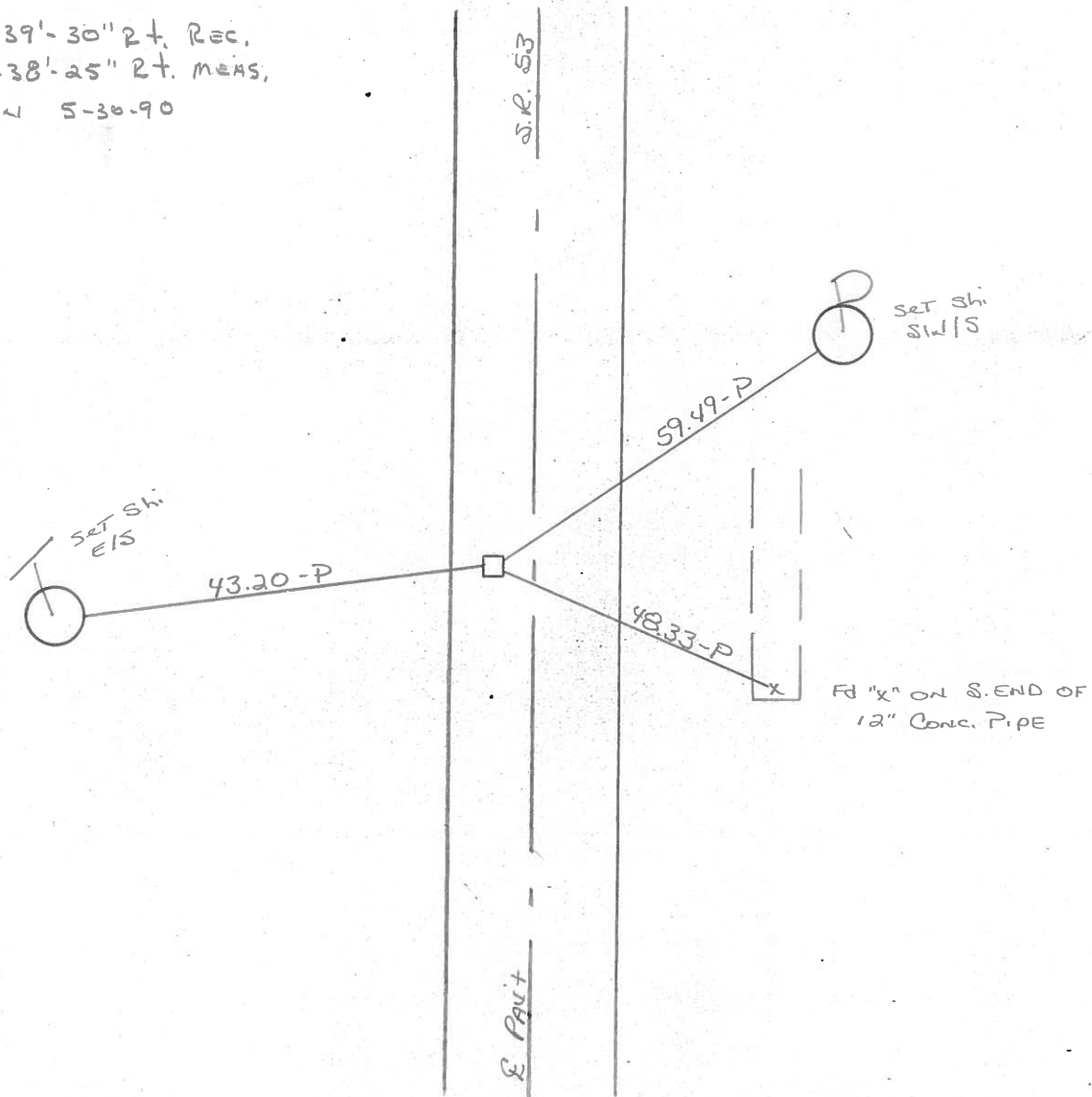
T 6 N R 17 E

TYPE MONUMENT I.P. IN MON. BOX
 ON SURFACE - BELOW BOX AT SURFACE, I.P. IS AT BELOW
 LEFT-☉ PAV'T. - RIGHT L.O
7.3 TO LT EDGE PAVEMENT
 S.L.M. 635 + 43.17



RECORD:

P.I.
 $\Delta = 03^{\circ} - 39' - 30''$ Rt. REC.
 $\Delta = 030^{\circ} - 38' - 25''$ Rt. MEAS.
 by CRONIN 5-30-90



PERSONNEL TITLE PERSONNEL TITLE

COUNTY Ottawa DATE 6-12-72

S. R. 53 WEATHER Fair

SEC. 11.85-12.90 TEMP. 70°

DESCRIPTION Portage Twp.

LEFT

CENTER LINE

RIGHT

JOB NO.

P.K. - Const.
P.I. 11+38.06
 $\Delta = 3^\circ 21' \text{ Rt.}$

26

Mon. Box R/W
11+05.50
 $\Delta = 3^\circ 39' 30'' \text{ Rt.}$

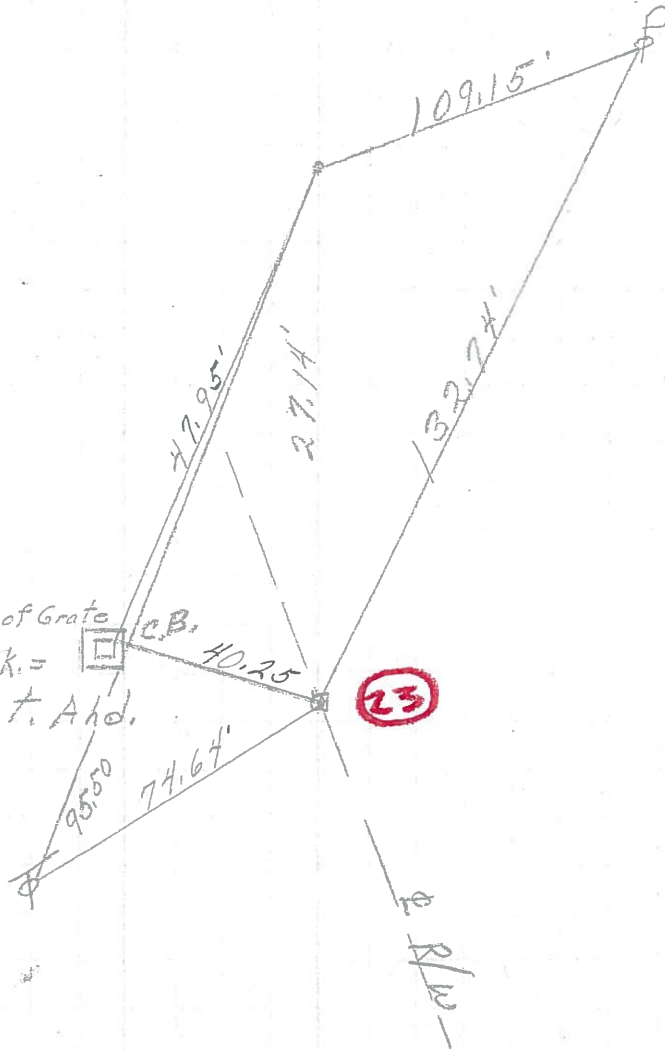
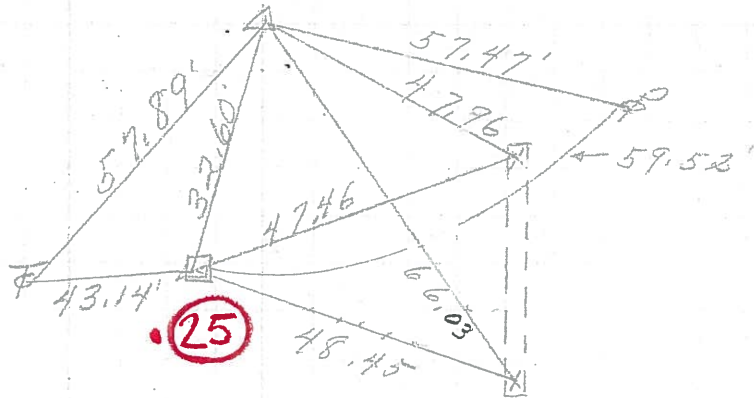
25

66+55.54 BK. =
P.C. 7+79.03 Ahd.
P.K. Const.

24

Cor. of Grate
P.I. 66+28.53 \neq survey BK. =
7+51.96 \neq survey $\&$ Const. Ahd.
 $\Delta = 0^\circ 18' 30'' \text{ Lt.} =$
P.O.T. 7+51.96 \neq R/W

23



PERSONNEL TITLE PERSONNEL TITLE

COUNTY OTT. DATE 7/1/69

2-H-105

S. R. Old S.R. 357 WEATHER

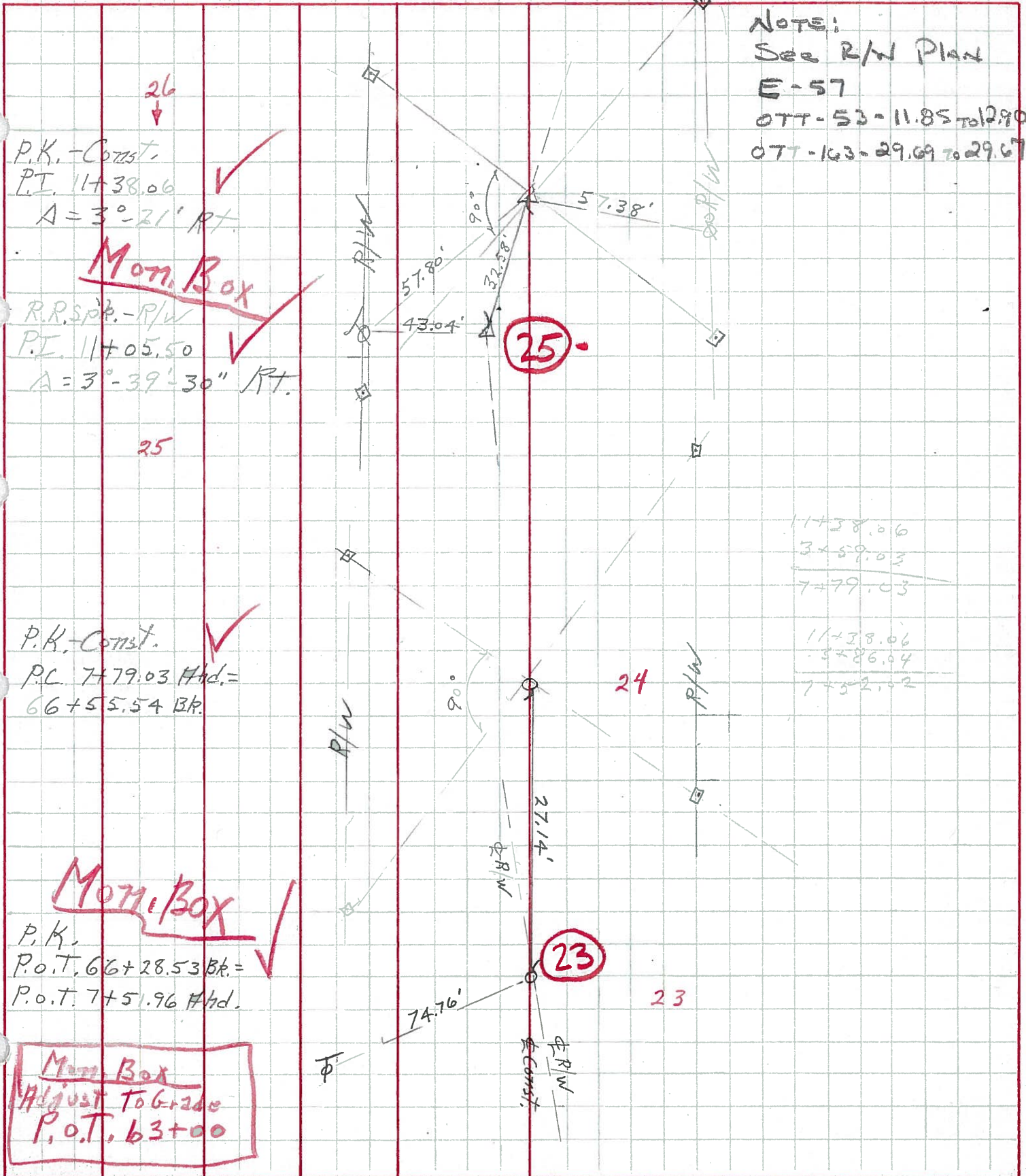
SEC. Present SR 53 TEMP.

DESCRIPTION

Begin at SR 2

JOB NO.

LEFT CENTER LINE RIGHT



NOTE:
 See R/W Plan
 E-57
 OTT-53-11.85 to 29.0
 OTT-163-29.09 to 29.67

26
 ↓
 P.K. - Const.
 P.I. 11+38.06
 A = 3°-21' RT

Mon. Box

R.R. Spk. - R/W
 P.I. 11+05.50
 A = 3°-39'-30" RT

25

P.K. - Const.
 P.C. 7+79.03 Hhd. =
 66+55.54 BR.

Mon. Box

P.K.
 P.O.T. 66+28.53 BR. =
 P.O.T. 7+51.96 Hhd.

Mon. Box
 Adjust To Grade
 P.O.T. 63+00

24

23

23