

O.D.O.T. DISTRICT 2 SURVEY OFFICE (USE ONLY)

PERSONNEL _____ REFERENCE NO. 29 SHEET 7 OF 12
 NOTES RHOADES DATE 8/22/22 ROUTE SR 53
 H.C. NIESE WEATHER CLOUDY COUNTY OTTAWA
 R.C. AUBLE TEMP. 71° TOWNSHIP PORTAGE
 DWG BY RHOADES PID 102905 SECTION 2
 T 6 N R 17 E

TYPE MONUMENT MONBOX W/1" IPIPE

ON SURFACE - ~~BELOW~~ ON

OFFSET \perp PAVEMENT 2.7' ~~ET~~ : RT

10.7' TO RT EDGE PAVEMENT

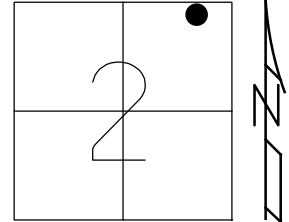
STATION: 648+98.63

HORZ. DATUM: NAD83 2011

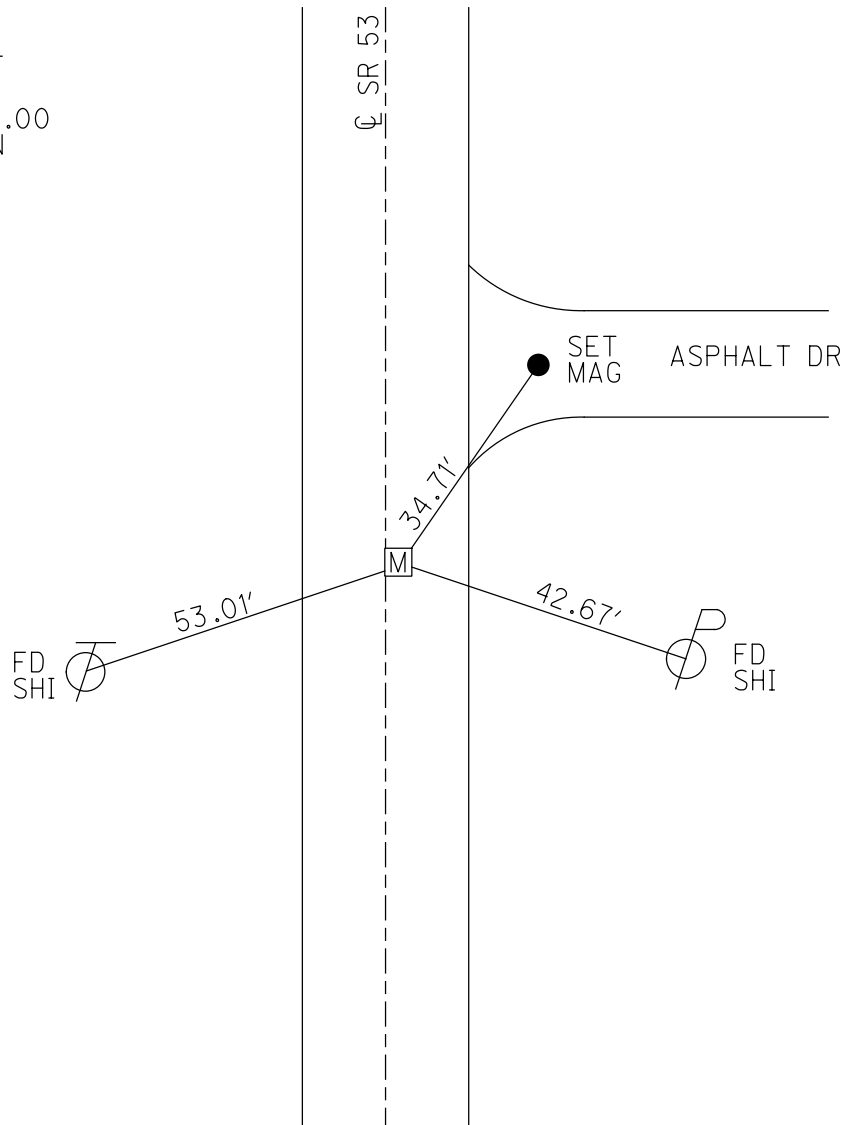
GEOID: NAVD88 2018

GRID: NORTHING: 673547.179

EASTING: 1870146.409



RECORD: P.I.
 $\Delta = 02^{\circ}03'00''$ LT
 MEAS AND REC
 PLAN STA: 24+00.00
 5/30/90, CRONIN
 FD MONBOX
 8/19/00, TMR
 REF13
 6/14/04, MB
 FD MONBOX
 W/1" IPIPE
 REF29
 3/2/21, DSA

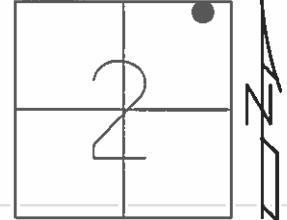


O.D.O.T. DISTRICT 2 SURVEY OFFICE (USE ONLY)

PERSONNEL _____ REFERENCE NO. 29 SHEET 6 OF 11

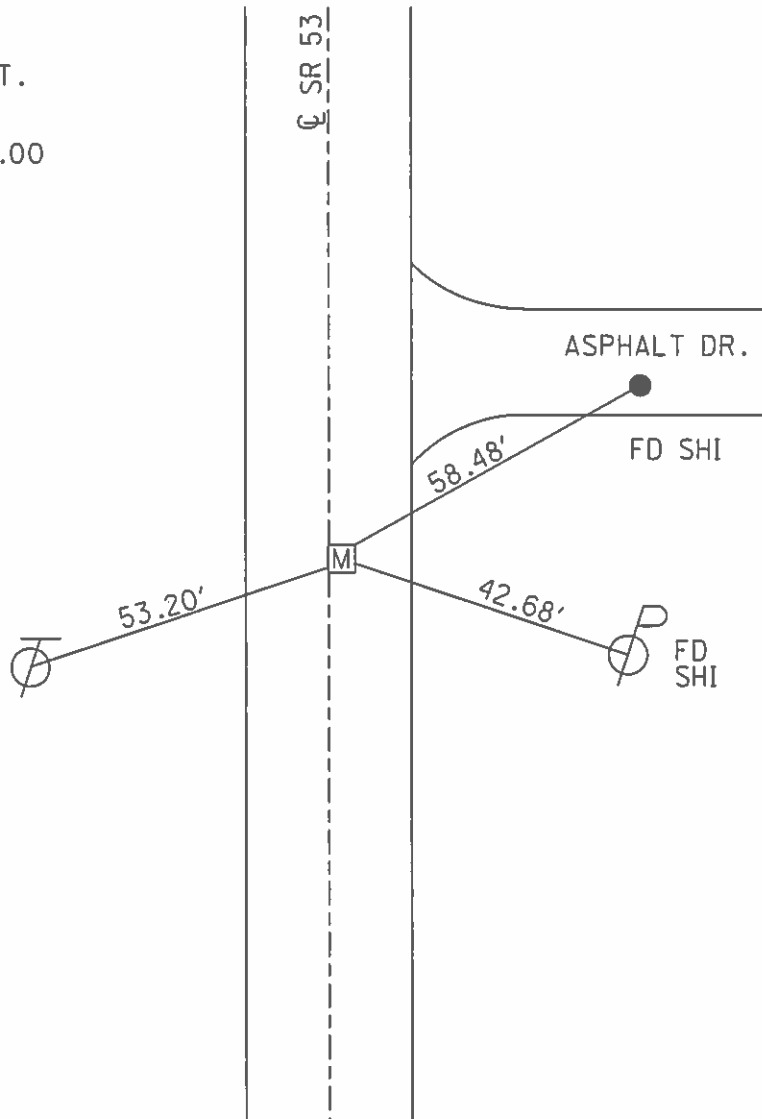
NOTES VAN DUSEN DATE 8/19/00 ROUTE SR 53
 H.C. ROUSOS WEATHER CLOUDY COUNTY OTTAWA
 R.C. BROWN TEMP. 72° TOWNSHIP PORTAGE
 _____ SECTION 2
 _____ T 6 N R 17 E

TYPE MONUMENT MON BOX
 ON SURFACE - ~~BELOW~~ ON
~~LEFT~~ - Q PAV'T - RIGHT 2.7'
10.7' TO RT EDGE PAVEMENT
 S.L.M. 666+61.53



GRID: NORTHING: 673617.28 EASTING: 1870340.90

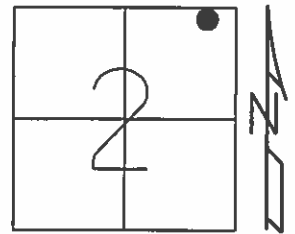
RECORD: P.I.
 $\Delta = 02^\circ 03' 00''$ LT.
 MEAS AND REC
 5/30/90, CRONIN
 PLAN STA: 24+00.00
 GPS, 13
 6/14/04, MB



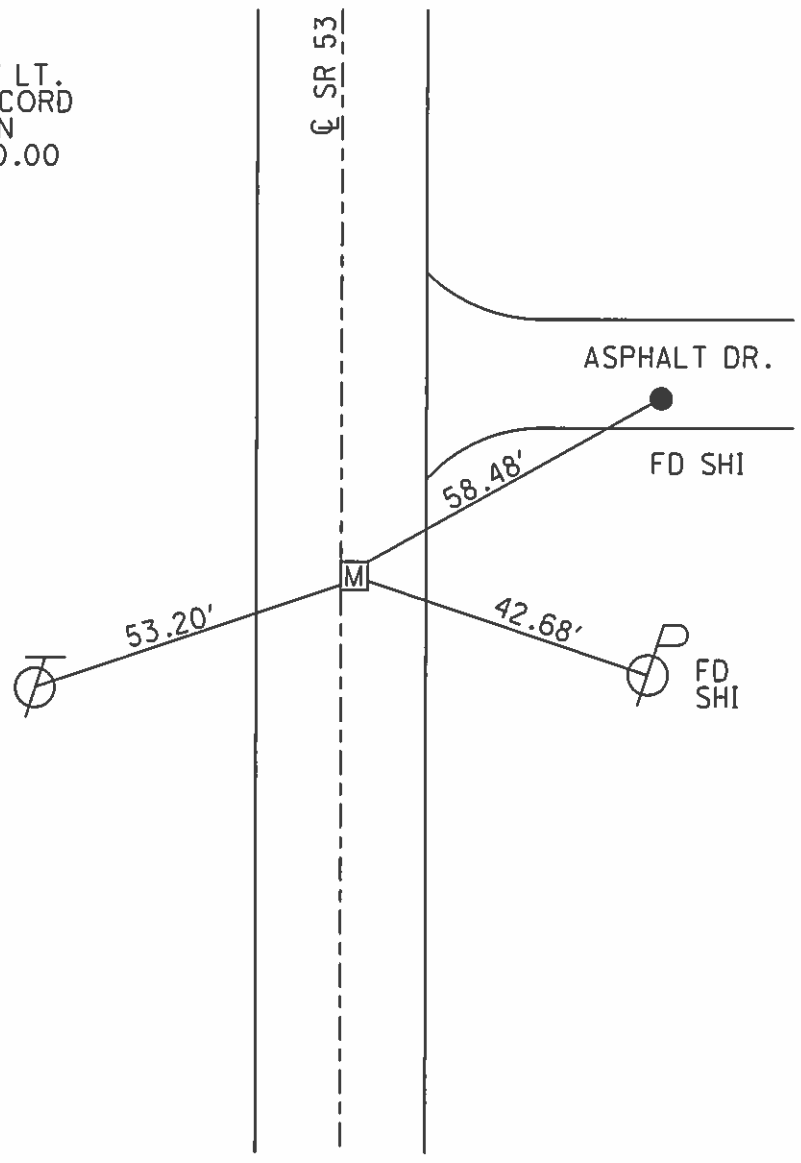
O.D.O.T. DISTRICT 2 SURVEY OFFICE (USE ONLY)

PERSONNEL	REFERENCE NO. <u>29</u>	SHEET <u>6</u> OF <u>11</u>
NOTES <u>VAN DUSEN</u>	DATE <u>8/19/00</u>	ROUTE <u>SR 53</u>
H.C. <u>ROUSOS</u>	WEATHER <u>CLOUDY</u>	COUNTY <u>OTTAWA</u>
R.C. <u>BROWN</u>	TEMP. <u>72°</u>	TOWNSHIP <u>PORTAGE</u>
		SECTION <u>2</u>
		T <u>6</u> N R <u>17</u> E

TYPE MONUMENT MONBOX
 ON SURFACE - ~~BELOW~~ ON
~~LEFT~~ - CL PAV'T - RIGHT 2.7'
10.7' TO RT EDGE PAVEMENT
 S.L.M. 666+61.53
 Grid: Northing: 673617.28 Easting: 1870340.90



RECORD: P.I.
 $\Delta = 02^\circ 03' 00''$ LT.
 MEASURE AND RECORD
 5/30/90, CRONIN
 PLAN STA: 24+00.00
 GPS, 13
 6/14/04, MB



O.D.O.T. DISTRICT 2 SURVEY OFFICE

PERSONNEL

REFERENCE NO. 29

SHEET 5 OF 8

NOTES Van Dusen

H.C. Rousos

R.C. Brown

DATE 8-19-00

WEATHER Cloudy

TEMP. 72°

ROUTE SR 53

COUNTY OTTAWA

TOWNSHIP PORTAGE

SECTION 2

T6 N R 17 E

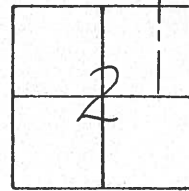
TYPE MONUMENT Iron Pin in Monument Box

ON SURFACE - ~~BELOW~~ Yes

LEFT - & PAW'T. - RIGHT 2.7

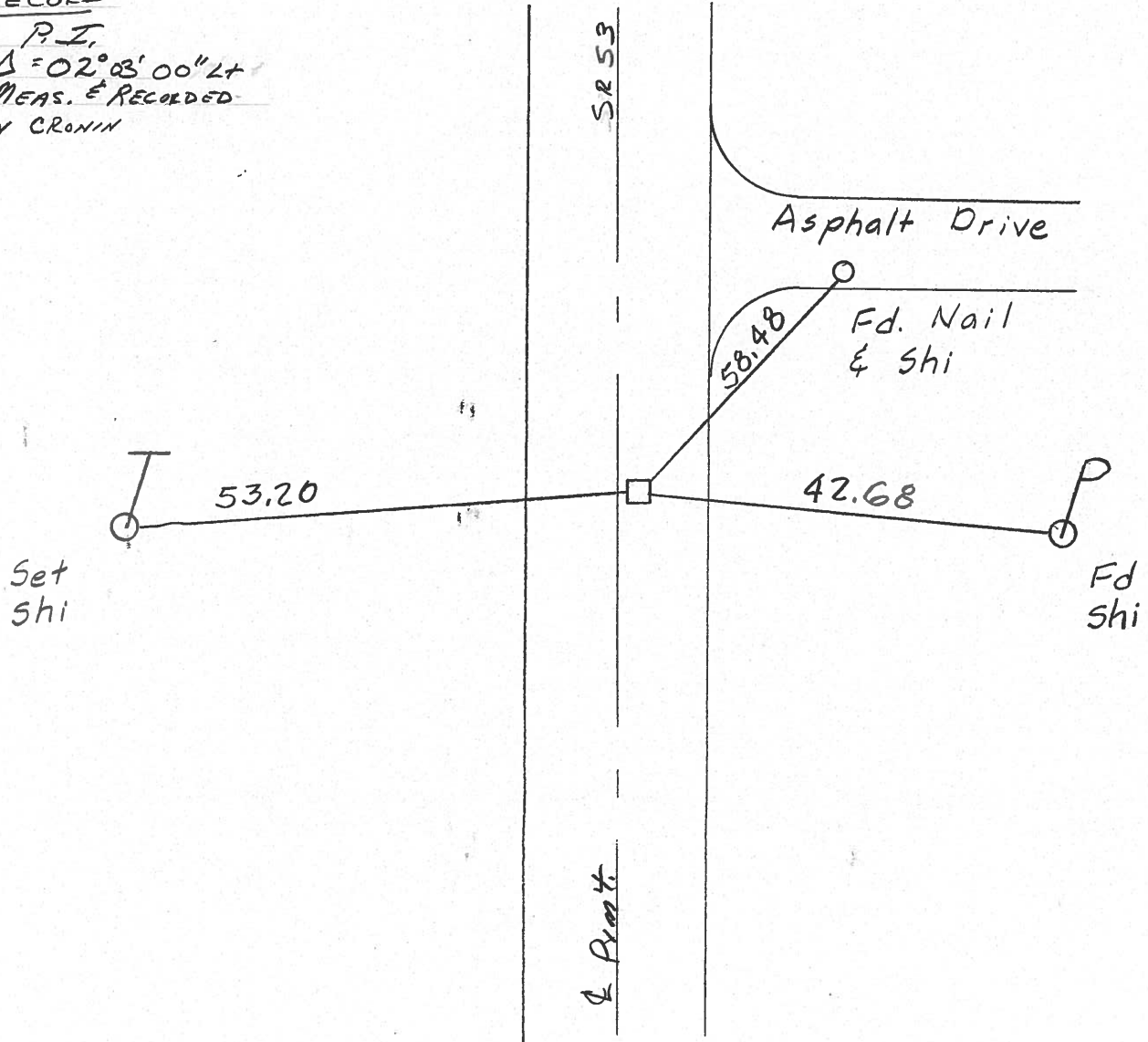
10.7 TO RT. EDGE PAVEMENT

S.L.M. 648+37.44



RECORD:

P.I.
 $\Delta = 02^{\circ}03'00'' \pm$
 MEAS. & RECORDED
 by CRONIN



O.D.O.T. DISTRICT 2 SURVEY OFFICE

PERSONNEL _____

REFERENCE NO. 24

SHEET _____ OF _____

NOTES BAENHISEL

H.C. _____

R.C. BAEBOUR

Ripple

DATE 9-14-90

WEATHER cloudy

TEMP. +75°

ROUTE SR 53

COUNTY OTTAWA

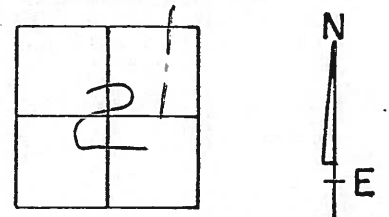
TOWNSHIP PORTAGE

SECTION 2

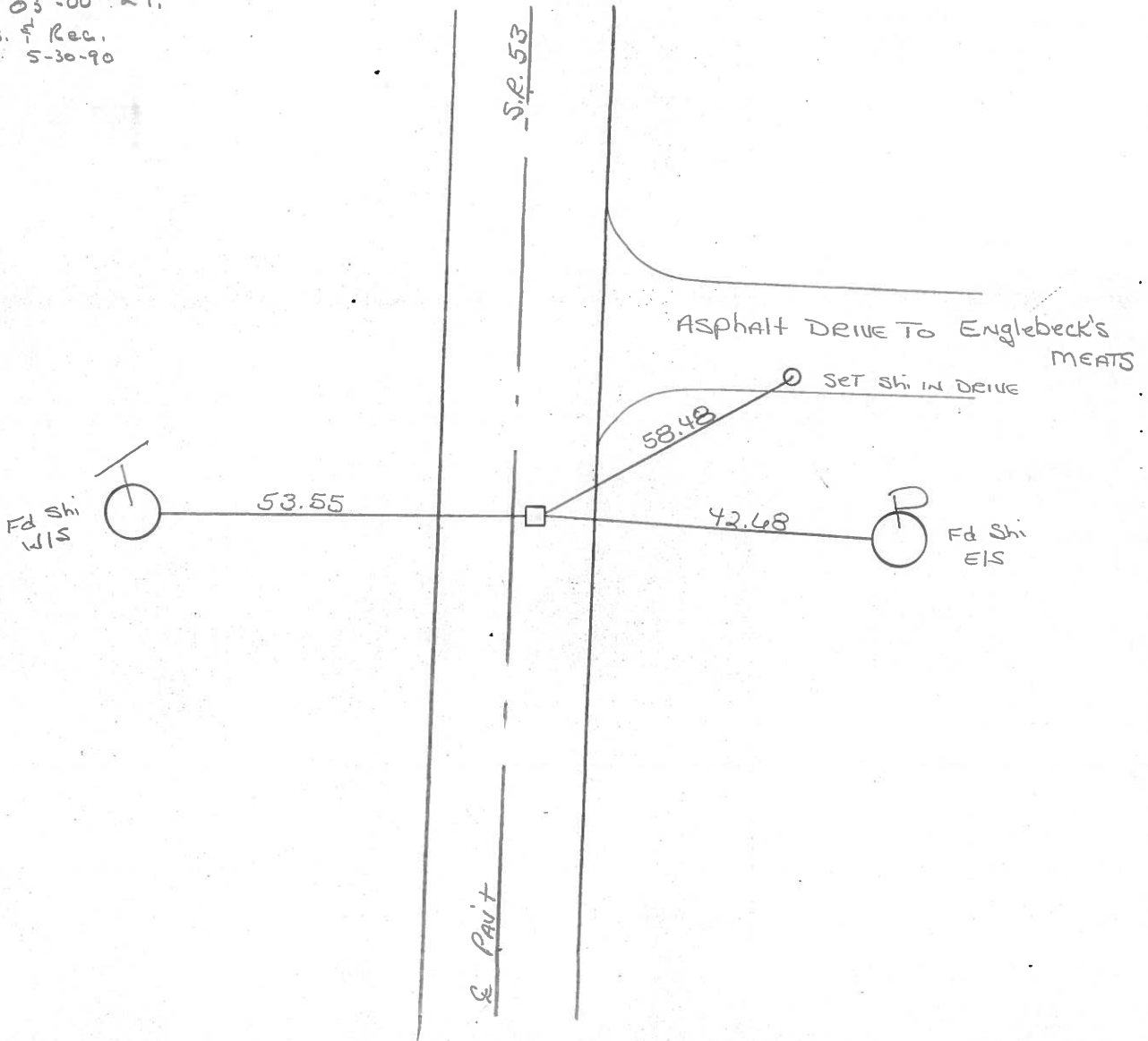
T 6 N R 17 E

NOTE: BOX IS FILLED WITH CONC. / 1" I. PIPE BROUGHT TO SURFACE

TYPE MONUMENT I.P. IN MON. BOX
 ON SURFACE - BELOW Box at surface, I.P. is 0.28 below
 LEFT - & PAV'T. - RIGHT 2.7
10.7 TO RT EDGE PAVEMENT
 S.L.M. 648+37.44



RECORD:
 P.I.
 $\Delta = 00^\circ - 03' - 00''$ Lt.
 Meas. & Rec.
 by CRONIN 5-30-90



PERSONNEL TITLE PERSONNEL TITLE

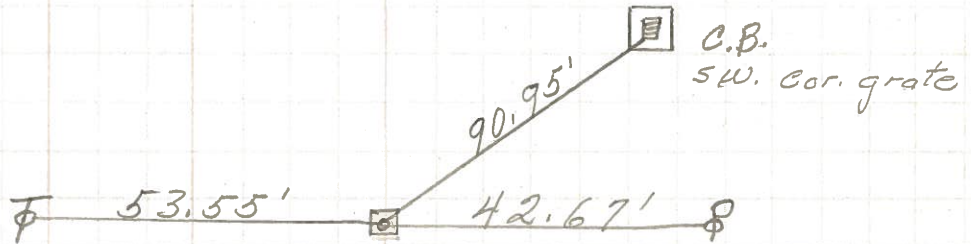
COUNTY Ottawa DATE 6-12-72

S. R. 53 WEATHER Fair

SEC. 11.85-12.90 TEMP. 70°

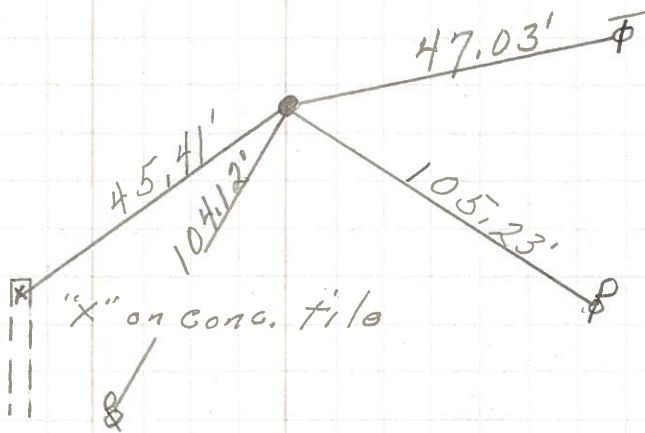
DESCRIPTION Portage Twp LEFT CENTER LINE RIGHT JOB NO.

Pipe in
P.I. Mon. Box
24+00.00
 $\Delta = 2^{\circ} 03' Lt$



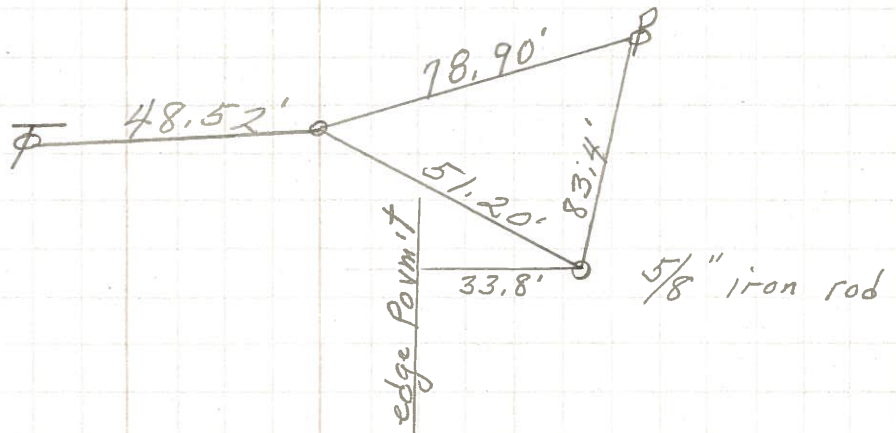
29

P.C. P.K. Nail
20+92.47



28

P.K. Nail
P.T. 14+96.88 Bk. =
14+97.09 Ahd.



27

PERSONNEL TITLE PERSONNEL TITLE

COUNTY Off. DATE 7/1/69

S. R. Old S.R. 357 WEATHER _____

SEC. _____ TEMP. _____

DESCRIPTION LEFT CENTER LINE RIGHT JOB NO. _____

MOTN. BOX

P.P. Spk.
P.I. 24+00.00
 $\Delta = 2^{\circ}-03'LT$

(29)

P.K.
P.C. 20+92.47

P.K.
P.T. 14+96.88 Bk. =
14+97.09 Hhd.

