

O.D.O.T. DISTRICT 2 SURVEY OFFICE (USE ONLY)

PERSONNEL

REFERENCE NO. 32

SHEET 8 OF 12

NOTES RHOADES DATE 8/22/22
 H.C. NIESE WEATHER CLOUDY
 R.C. AUBLE TEMP. 72°

ROUTE SR 53
 COUNTY OTTAWA
 TOWNSHIP PORTAGE
 SECTION 35
 T 7 N R 17 E

DWG BY RHOADES PID 102905

TYPE MONUMENT MONBOX W/1" IPIN

ON SURFACE - ~~BELOW~~ ON

OFFSET 0.4' LT : RT

13.3' TO RT EDGE PAVEMENT

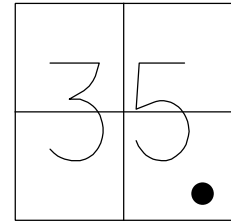
STATION: 658+08.02

HORZ.DATUM: NAD83 2011

GEOID: NAVD88 2018

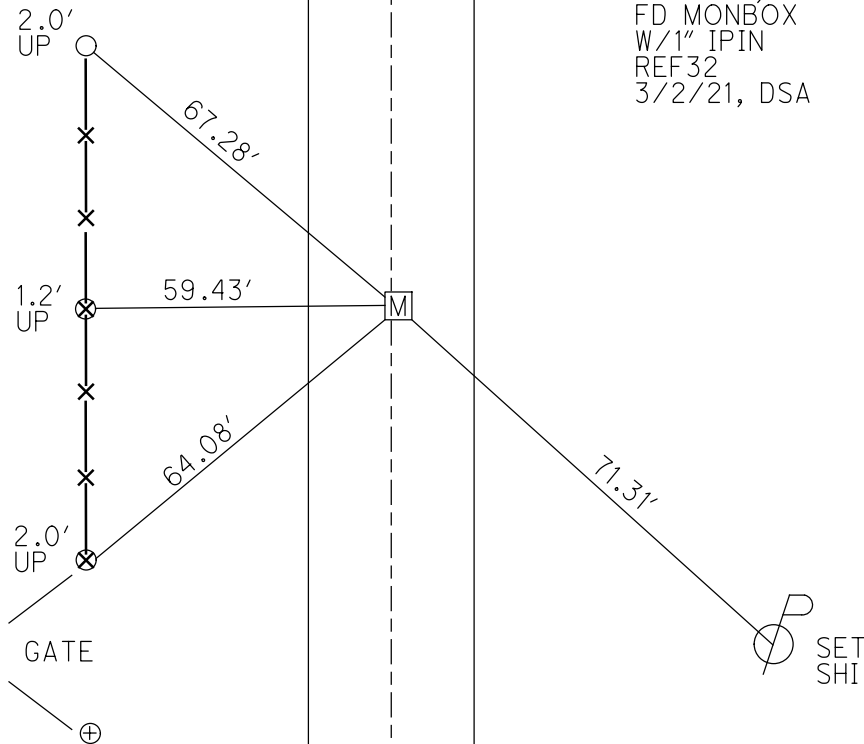
GRID: NORTHING: 674456.025

EASTING: 1870179.630



RECORD: P.I.
 $\Delta = 0^\circ 04' 00''$ LT.REC.
 $\Delta = 0^\circ 03' 45''$ LT.MEAS.
 PLAN STA: 33+09.6
 5/30/90, CRONIN
 FD MONBOX
 8/19/00, TMR
 REF14
 6/14/04, MB
 FD MONBOX
 W/1" IPIN
 REF32
 3/2/21, DSA

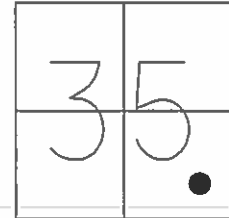
SET "+" IN
 METAL FENCE
 POSTS



O.D.O.T. DISTRICT 2 SURVEY OFFICE (USE ONLY)

PERSONNEL _____ REFERENCE NO. 32 SHEET 7 OF 11
 NOTES VANDUSEN DATE 8/19/00 ROUTE SR 53
 H.C. ROUSOS WEATHER CLOUDY COUNTY OTTAWA
 R.C. BROWN TEMP. 72° TOWNSHIP PORTAGE
 _____ SECTION 35
 _____ T 7 N R 17 E

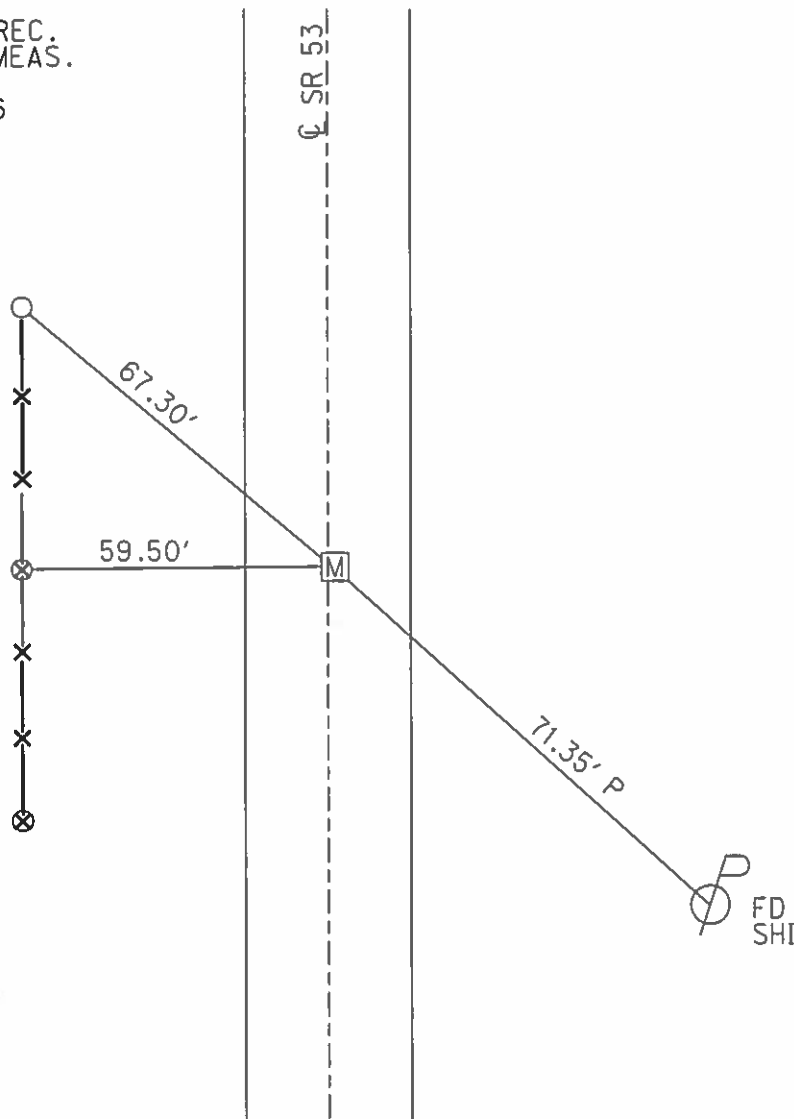
TYPE MONUMENT MON BOX
 ON SURFACE - ~~BELOW~~ ON
~~LEFT~~ - Q PAV'T - RIGHT 0.4'
13.3' TO RT EDGE PAVEMENT
 S.L.M. 675+70.99



GRID: NORTHING: 674526.25 EASTING: 4870530.18

RECORD: P.I.
 $\Delta = 0^\circ 04' 00''$ LT.REC.
 $\Delta = 0^\circ 03' 45''$ LT.MEAS.
 5/30/90, CRONIN
 PLAN STA: 33+09.6
 GPS, 14
 6/14/04, MB

CUT "+" IN
 METAL FENCE
 POSTS 1.5' UP



O.D.O.T. DISTRICT 2 SURVEY OFFICE (USE ONLY)

PERSONNEL

REFERENCE NO. 32

SHEET 7 OF 11

NOTES VANDUSEN

DATE 8/19/00

ROUTE SR 53

H.C. ROUSOS

WEATHER CLOUDY

COUNTY OTTAWA

R.C. BROWN

TEMP. 72°

TOWNSHIP PORTAGE

SECTION 35

T 7 N R 17 E

TYPE MONUMENT MONBOX

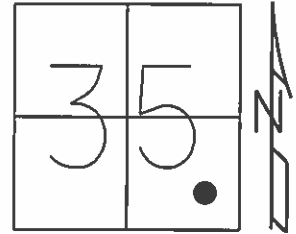
ON SURFACE - ~~BELOW~~ ON

~~LEFT~~ - Q PAV'T - RIGHT 0.4'

13.3' TO RT EDGE PAVEMENT

S.L.M. 675+70.99

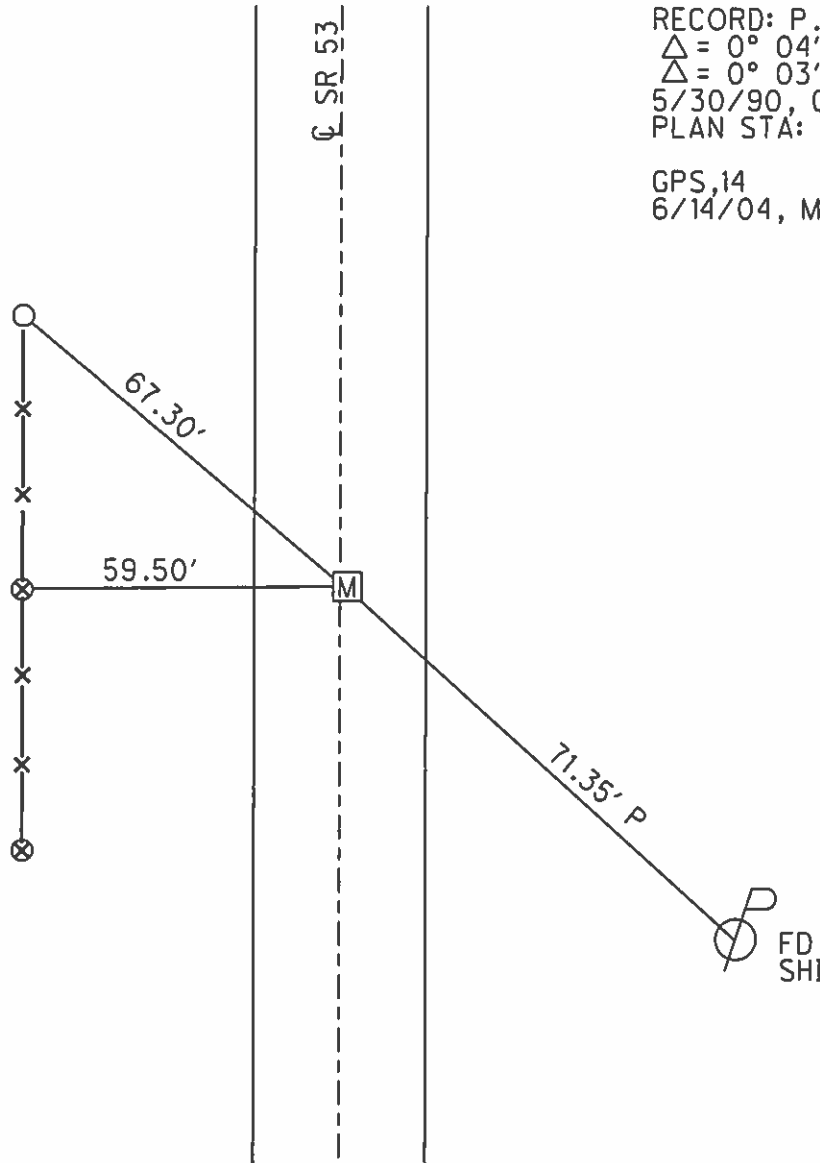
Grid: Northing: 674526.25 Easting: 4870530.18



RECORD: P.I.
 $\Delta = 0^\circ 04' 00''$ LT.REC.
 $\Delta = 0^\circ 03' 45''$ LT.MEAS.
 5/30/90, CRONIN
 PLAN STA: 33+09.6

GPS, 14
 6/14/04, MB

CUT "+" IN
 METAL FENCE
 POSTS. 1.5' UP



O.D.O.T. DISTRICT 2 SURVEY OFFICE

PERSONNEL

REFERENCE NO. 32

SHEET 6 OF 8

NOTES Van Dusen

H.C. Rousos

R.C. Brown

DATE 8-19-00

WEATHER Cloudy

TEMP. 72°

ROUTE SR 53

COUNTY OTTAWA

TOWNSHIP PORTAGE

SECTION 35

T7 N R17 E

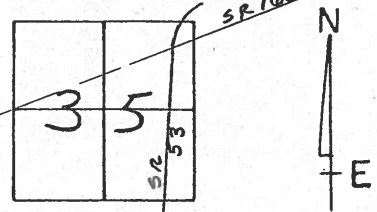
TYPE MONUMENT Iron Pin in Monument Box

ON SURFACE - BELOW Yes

LEFT - & PAW'T. - RIGHT 0.4

13.3 TO Rt. EDGE PAVEMENT

S.L.M. 657+46.85



RECORD:

P.I.

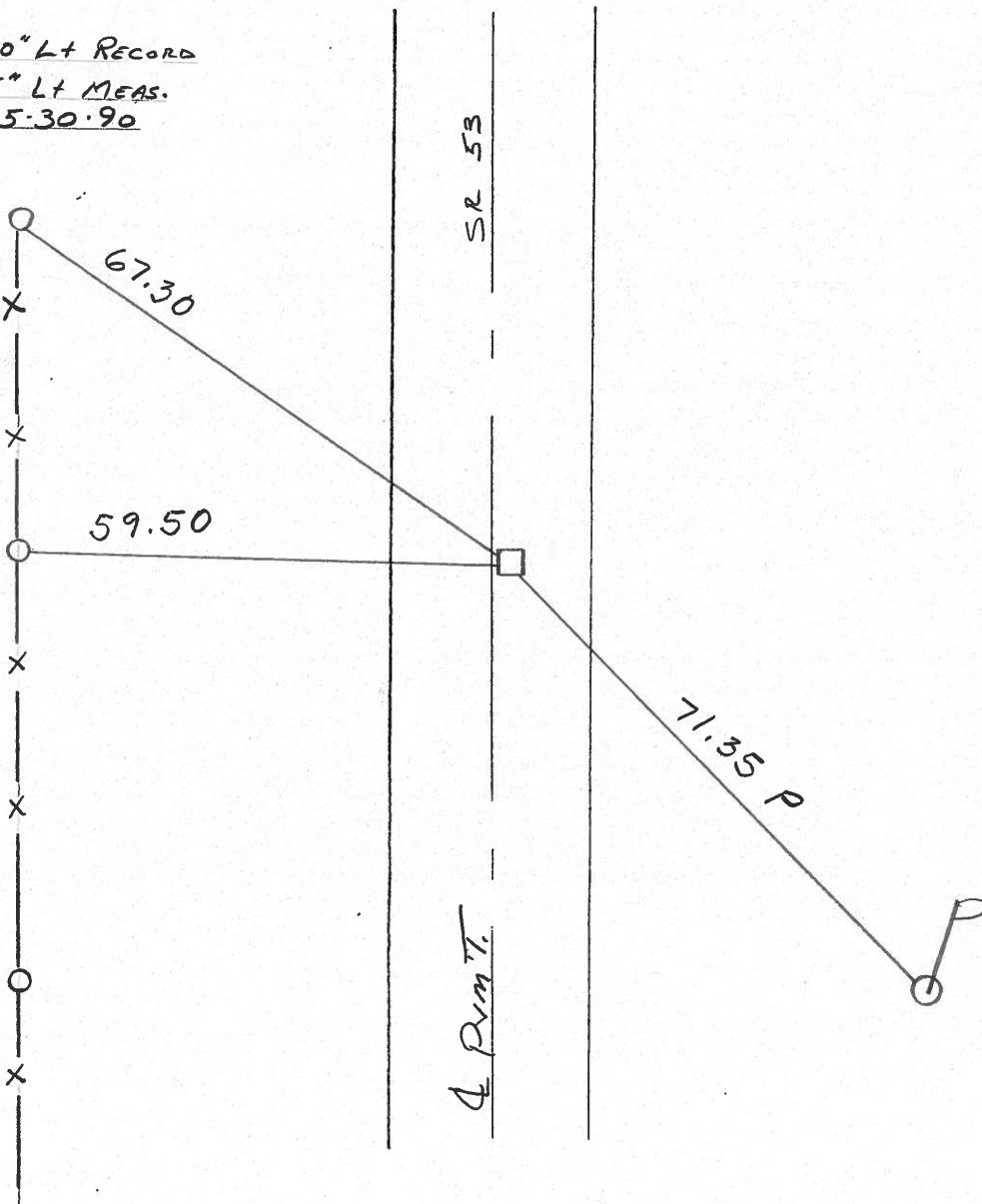
$\Delta = 0^\circ 04'00''$ Lt RECORD

$\Delta = 0^\circ 03'45''$ Lt MEAS.

BY CROWN 5-30-90

Cut "X"

Metal Fence
Post 1.5' up X



O.D.O.T. DISTRICT 2 SURVEY OFFICE

PERSONNEL _____

REFERENCE NO. 32

SHEET _____ OF _____

NOTES BAENHISEL

H.C. _____

DATE 9-14-90

ROUTE SR 53

R.C. BAEBOUR

WEATHER Cloudy

COUNTY OTTAWA

Ripple

TEMP. +75°

TOWNSHIP PORTAGE

SECTION 35

T 7 N R 17 E

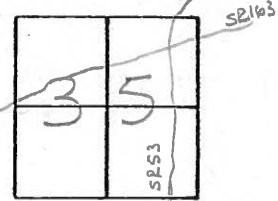
TYPE MONUMENT I. PIN IN MON. BOX

ON SURFACE - BELOW BOX AT SURFACE, I. P. IS BELOW

LEFT - 0 PAV'T. - RIGHT 0.4

13.3 TO RT EDGE PAVEMENT

S.L.M. 657+46.85



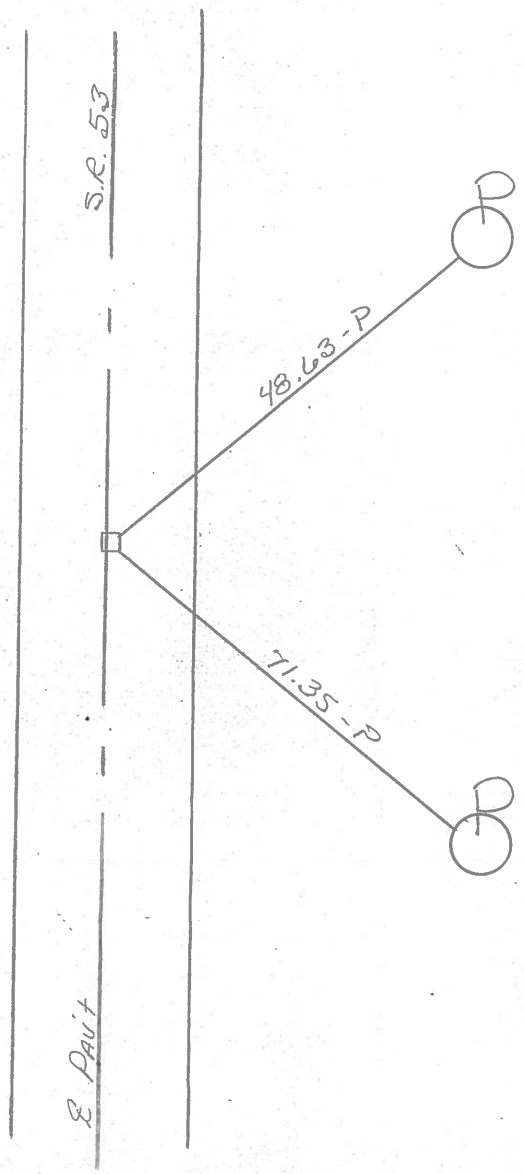
RECORD:

P.I.

$\Delta = 0^{\circ} - 04' - 00''$ Lt. - RECORD

$\Delta = 0^{\circ} - 03' - 45''$ Lt. MEAS.

by Cronin 5-30-90



PERSONNEL TITLE PERSONNEL TITLE

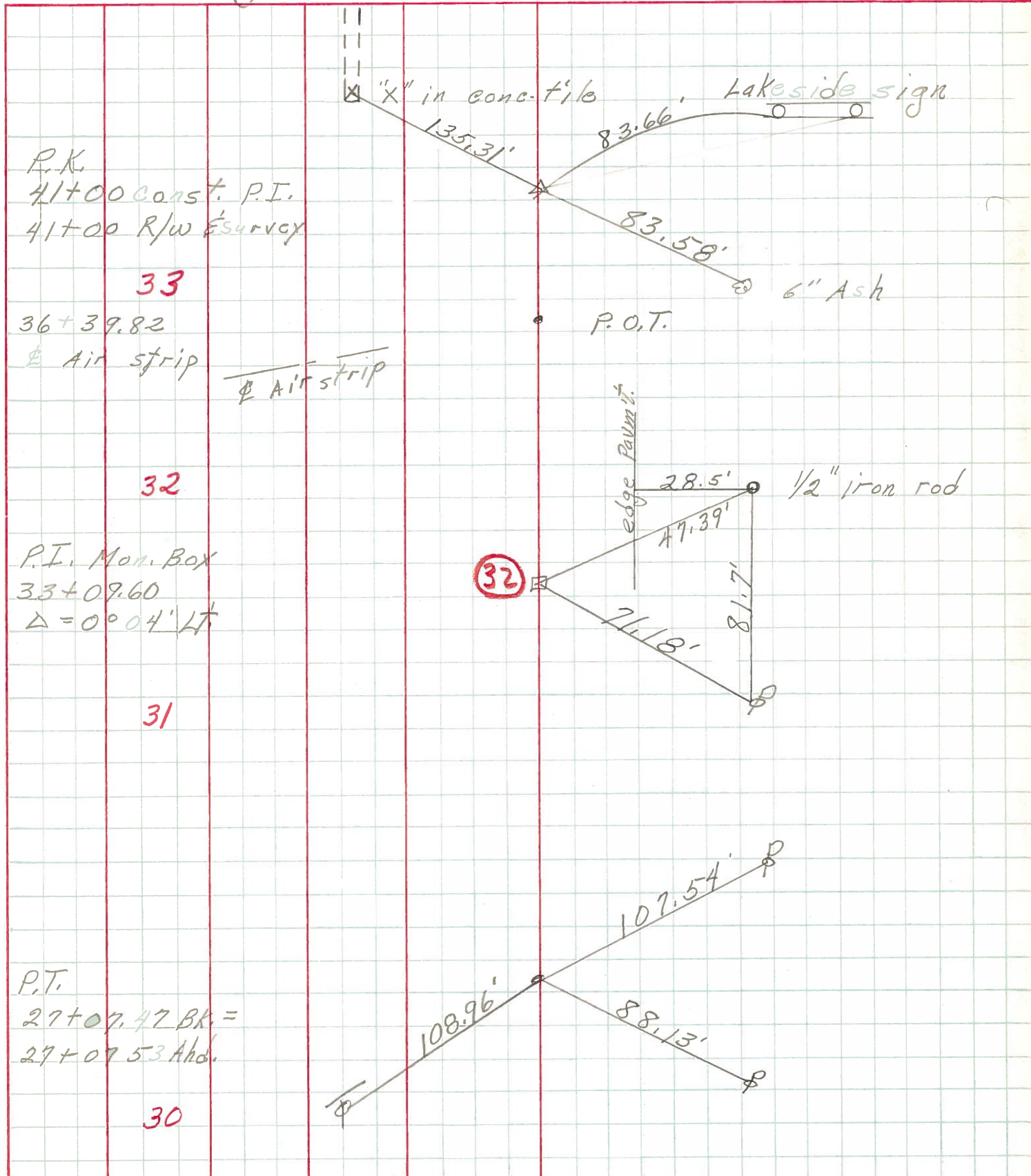
COUNTY Ottawa DATE 6-19-72

S. R. 53 WEATHER Fair

SEC. 11.85-12.90 TEMP. 75°

DESCRIPTION Portage Twp. JOB NO.

LEFT CENTER LINE RIGHT



PERSONNEL TITLE PERSONNEL TITLE

COUNTY OH. DATE 7-1-69

S. R. Old S. R. 357 WEATHER

SEC. TEMP.

DESCRIPTION LEFT CENTER LINE RIGHT JOB NO.

