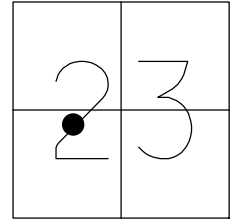


O.D.O.T. DISTRICT 2 SURVEY OFFICE (USE ONLY)

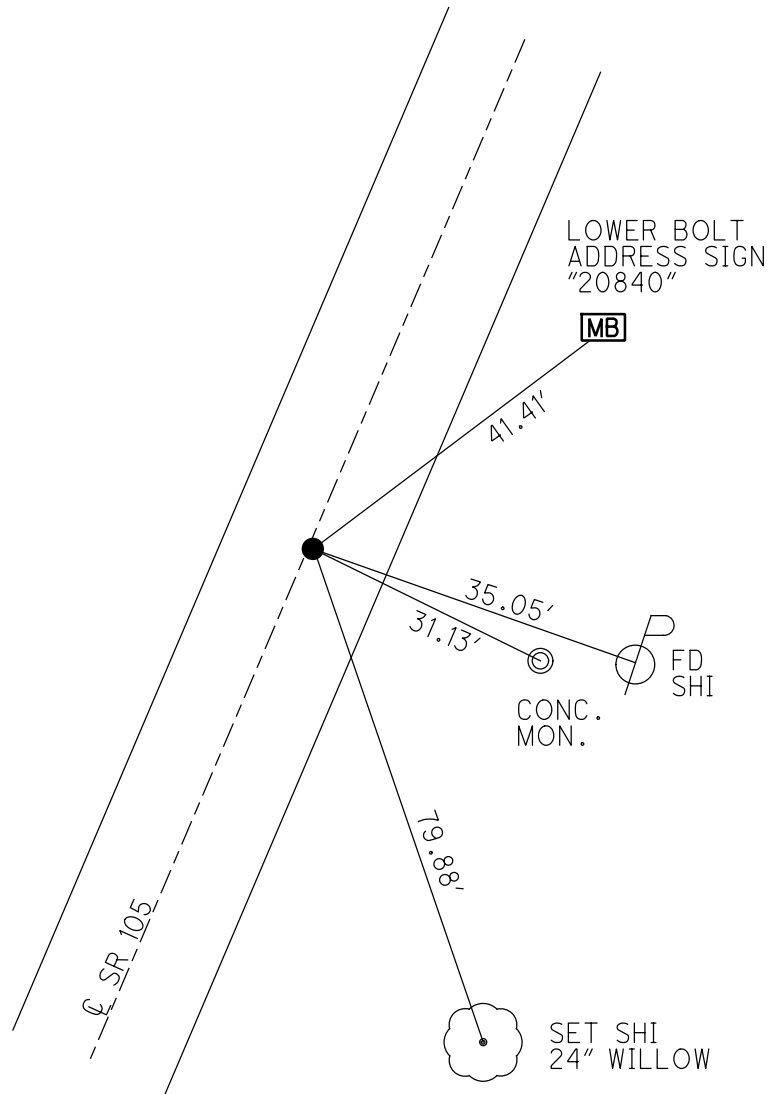
PERSONNEL _____ REFERENCE NO. 6 SHEET 7 OF 33
 NOTES RHOADES DATE 7/20/21 ROUTE SR 105
 H.C. O'DONNELL WEATHER HAZE COUNTY OTTAWA
 R.C. RHOADES TEMP. 71° TOWNSHIP HARRIS
 SECTION 23
 DWG BY RHOADES PID CHIP SEAL T 6 N R 13 E

TYPE MONUMENT MAG/WASHER
 ON SURFACE - ~~BELOW~~ ON _____
 OFFSET \varnothing PAVEMENT 0.5' ~~LT~~ : RT
9.5' TO RT EDGE PAVEMENT
 STATION: 12+34



HORIZ.DATUM: NAD83 2011 GEOID: NAVD88 2018
 GRID: NORTHING: 655657.889 EASTING: 1739519.802

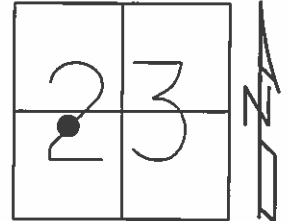
RECORD: P.I.
 SET P.K./WASHER
 9/26/94, MB
 FD P.K./WASHER
 OTTREF7
 5/3/13, DCH
 SET MAG/WASHER
 FINREFOTT6
 7/11/13, SDC
 FD MAG/WASHER
 REF6
 7/20/21, JFO
 10/20/21, JMR



O.D.O.T. DISTRICT 2 SURVEY OFFICE (USE ONLY)

PERSONNEL _____ REFERENCE NO. 6 SHEET 7 OF 33
 NOTES HOMAN DATE 5/3/13 ROUTE SR 105
 H.C. HOMAN WEATHER CLOUDY COUNTY OTTAWA
 R.C. ROUSOS TEMP. 60° TOWNSHIP HARRIS
 _____ SECTION 23
 _____ T 6 N R 13 E

TYPE MONUMENT P.K./WASHER
 ON SURFACE - ~~BELOW~~ ON
~~LEFT~~ - Q PAV'T - RIGHT 0.5'
9.5' TO RT EDGE PAVEMENT
 S.L.M. 12+34

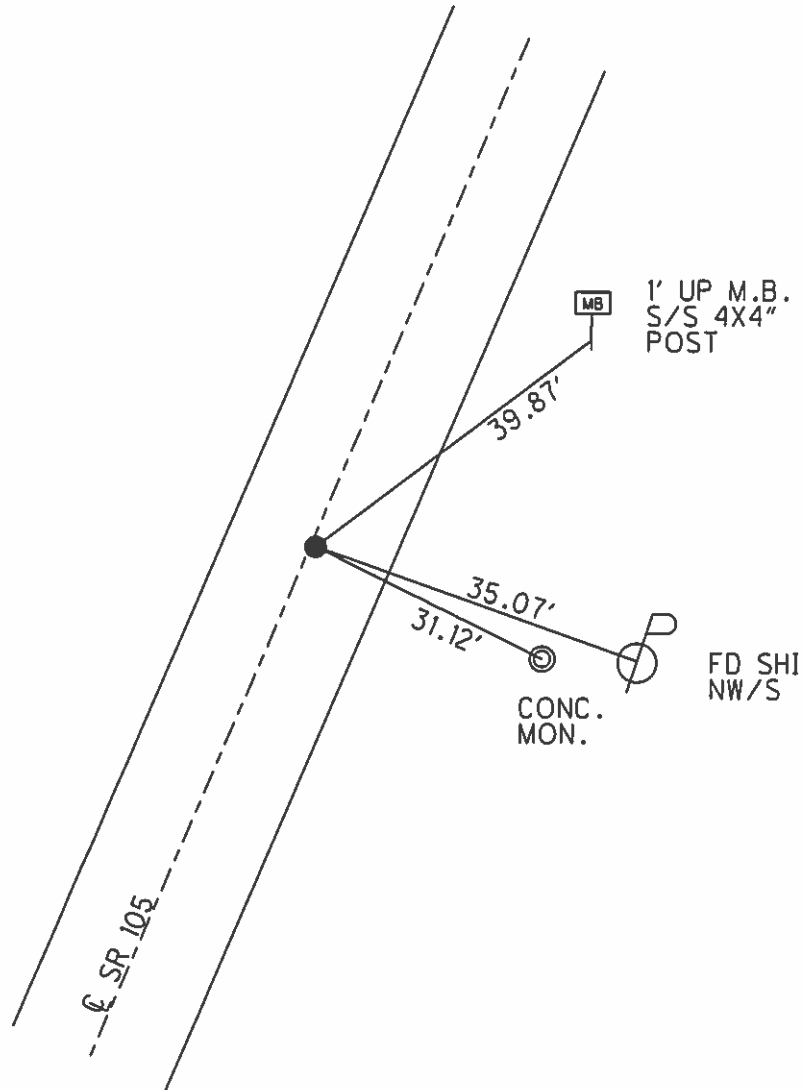


Grid: Northing: 655657.836 Easting: 1739519.716

RECORD: P.I.
 RESET P.K./WASHER
 9/26/94, MB

FD P.K.
 GPS, OTTREF7

SET MAG/WASHER
 7/9/13, SDC
 GPS, FINREFOTT6
 7/11/13, SDC



O.D.O.T. DISTRICT 2 SURVEY OFFICE

PERSONNEL

REFERENCE NO. 6, 7

SHEET 5 OF 26

NOTES BARNHISEL

H.C. CORDES

R.C. SLOVAK

DATE 9-14-94

WEATHER CLEAR

TEMP. +85°

ROUTE 105

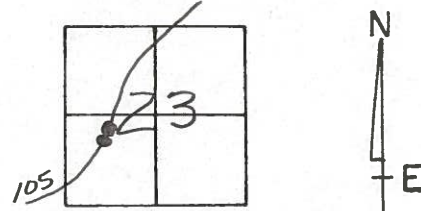
COUNTY OTTAWA

TOWNSHIP HARRIS

SECTION 23

T 6 N R 13 E

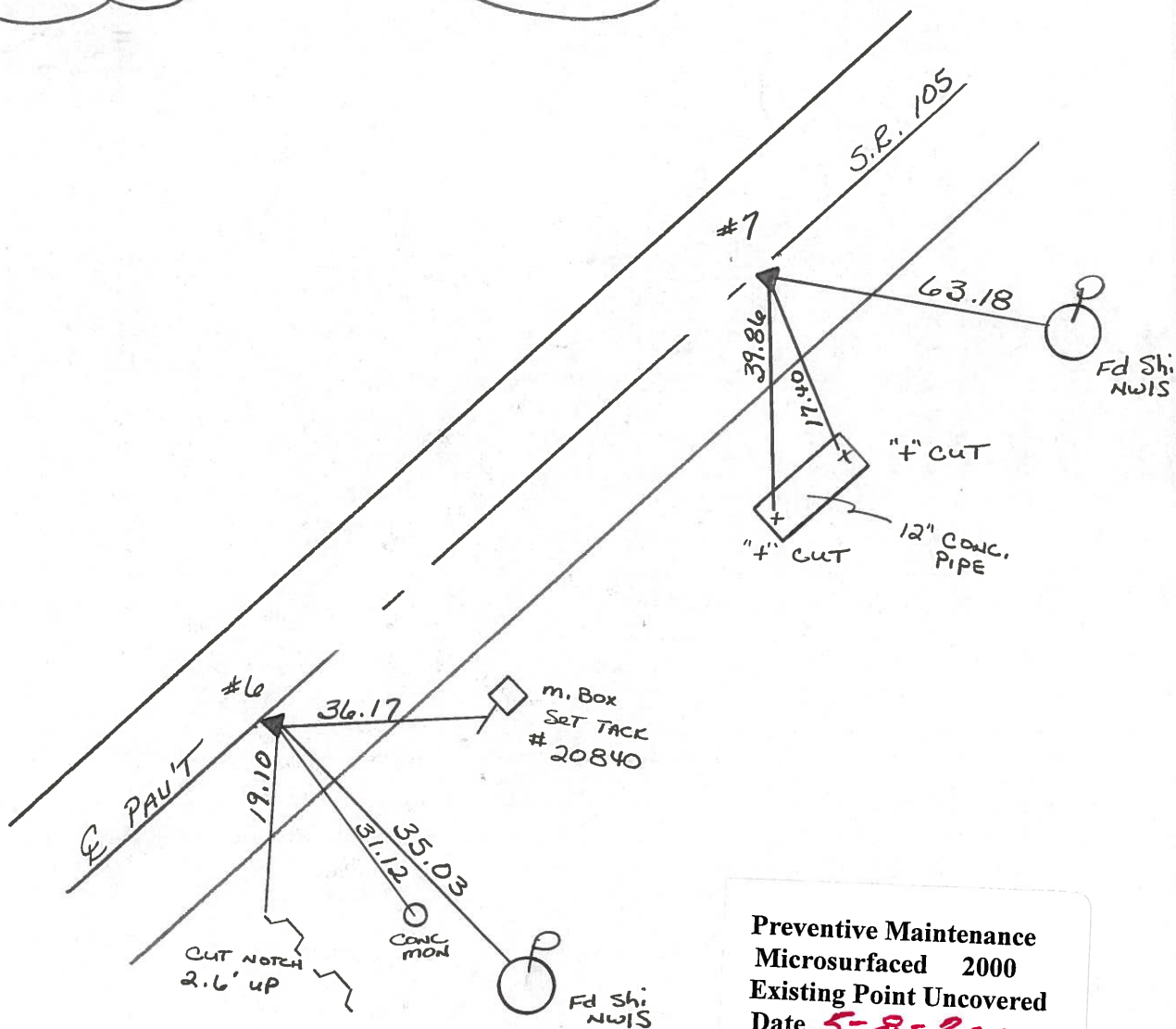
	#6	#7
TYPE MONUMENT	PK & WASHER	PK & WASHER
ON SURFACE - BELOW	1/2"	1/2"
SET - C PAV'T. - RIGHT	0.5	0.5
9.5 TO RT EDGE PAVEMENT	"BOTH"	
S.L.M.	12+34	16+18



Record: #6 P.I.

Record #7 P.I.

Reset PK'S & WASHERS
9-26-94
MB



Preventive Maintenance
Microsurfaced 2000
Existing Point Uncovered
Date 5-8-2000

PERSONNEL TITLE PERSONNEL TITLE

COUNTY Ottawa

DATE 8-2-74

S. R. 10.5

WEATHER Sunny

SEC. 23

TEMP. 80°

DESCRIPTION Harris Twp.

JOB NO.

