

O.D.O.T. DISTRICT 2 SURVEY OFFICE (USE ONLY)

PERSONNEL

REFERENCE NO. 50

SHEET 22 OF 63

NOTES MOSER

DATE 4/14/00

ROUTE SR 105

H.C. CANTERBURY

WEATHER SUNNY

COUNTY OTTAWA

R.C. BARNHISEL

TEMP. +60°

TOWNSHIP HARRIS

DWG BY BALBAUGH PID 92131

SECTION 8

T 6 N R 14 E

TYPE MONUMENT 3/4" IPIPE

~~ON SURFACE~~ - BELOW 4"

OFFSET \odot PAVEMENT 19.0' \perp : RT

8.3' TO RT EDGE PAVEMENT

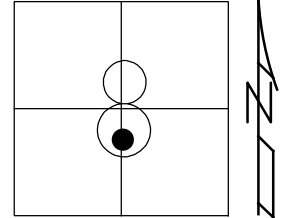
STATION: 231+25.49

HORZ.DATUM: NAD83 2011

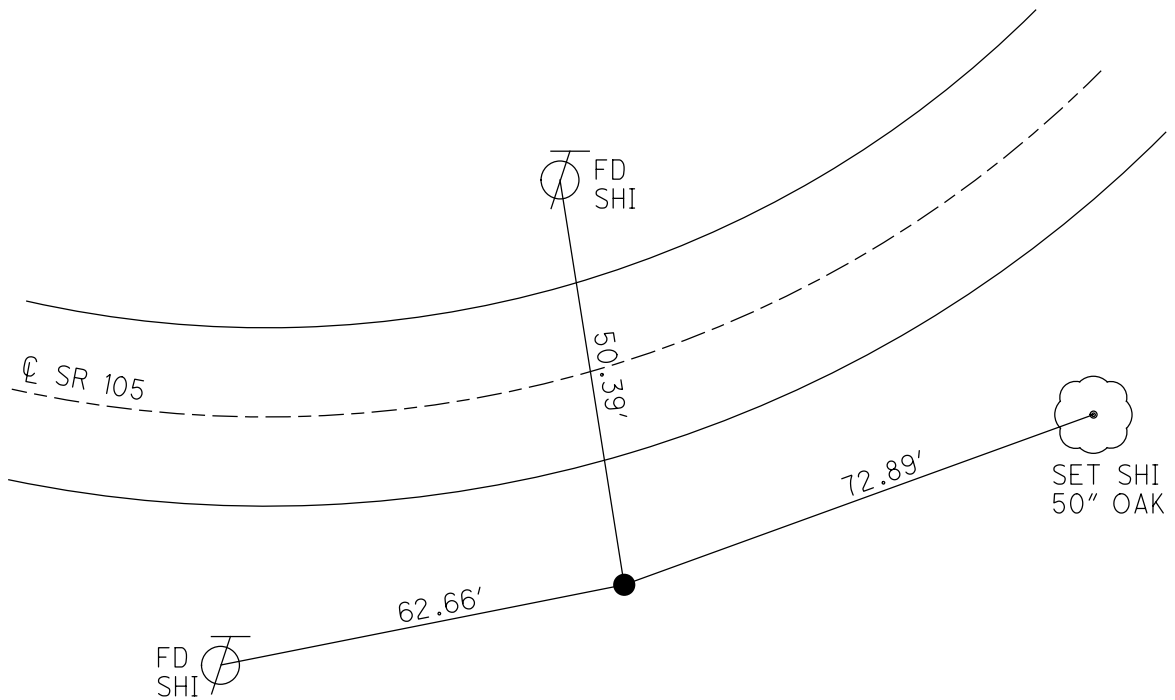
GEOID: 2012A

GRID: NORTHING: 665825.343

EASTING: 1757601.255



RECORD:
SET 3/4" IPIN
1974
FD 3/4" IPIPE
4/14/00, MC
FD 3/4" IPIN
6" DOWN
REF50
4/18/18, JFO



O.D.O.T. DISTRICT 2 SURVEY OFFICE

PERSONNEL

REFERENCE NO. 50

SHEET 18 OF 96

NOTES K. MOSER

H.C. M. CANTERBURY

DATE 4-14-00

ROUTE S.R. 105

R.C. M. BARNHISEL

WEATHER SUNNY

COUNTY OTTAWA

TEMP. +60°F

TOWNSHIP HARRIS

SECTION 8

TOWN R14 E

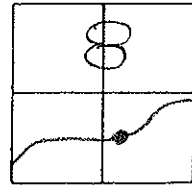
TYPE MONUMENT 3/4" I. PIPE

~~ON SURFACE~~ - BELOW 4" BELOW

LEFT ~~C. PAV'T.~~ - RIGHT 19.0' RT.

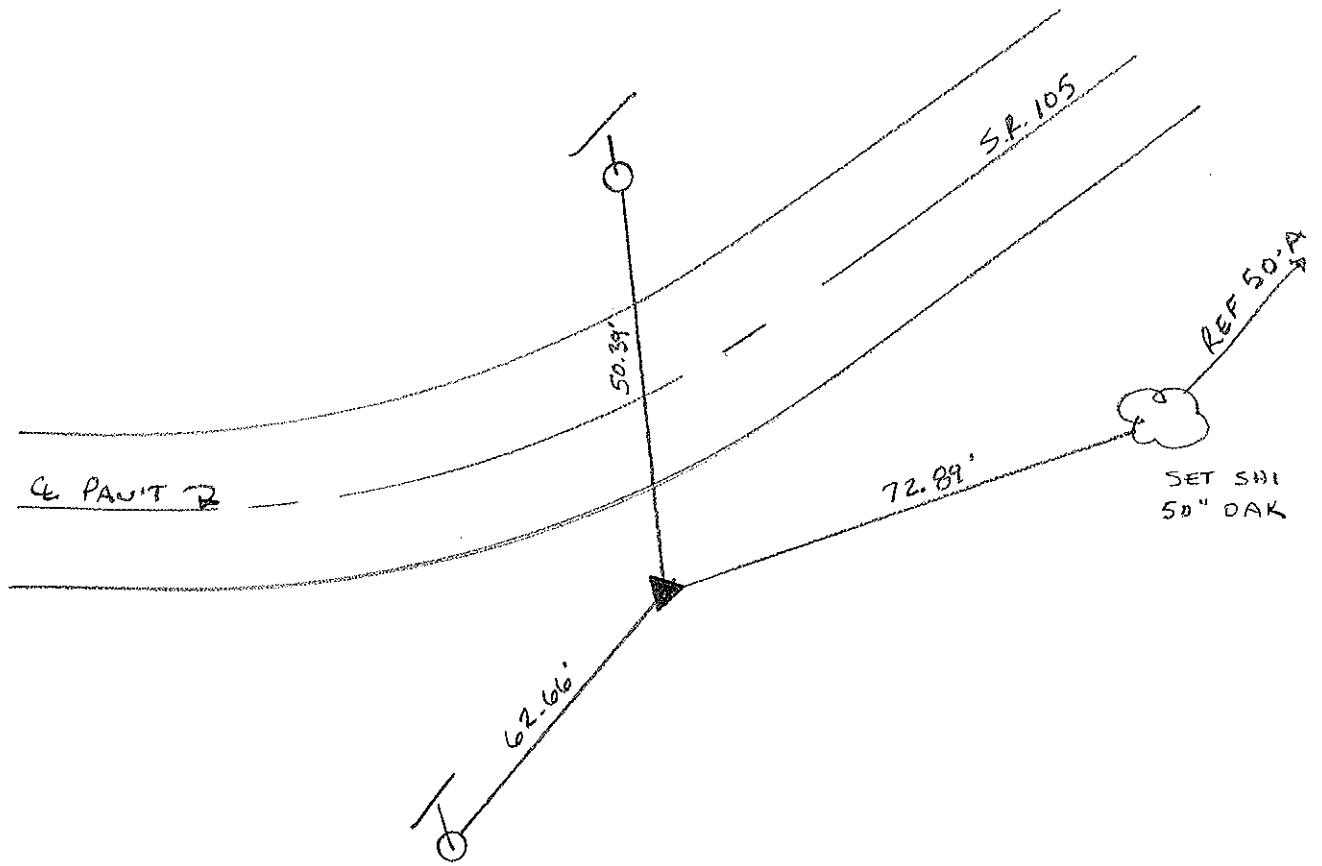
8.3 RT. OF RT. EDGE PAVEMENT

S.L.M. 231 + 82



RECORD: SET 3/4" I ROD
"1974"

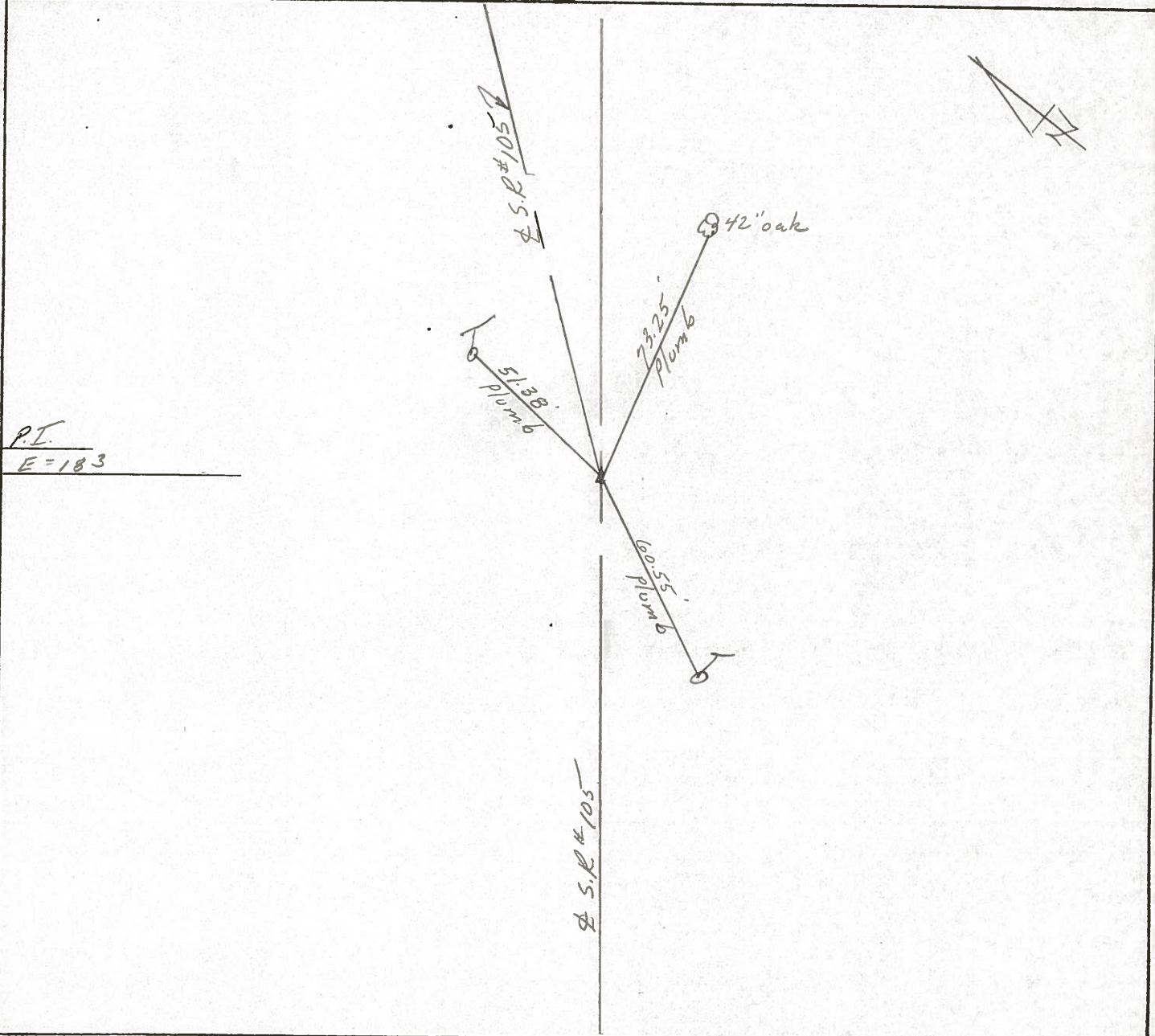
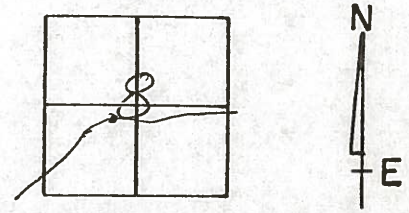
RESET PR WASHEN
6-21-00
12 PM



O.D.O.T. DISTRICT 2 SURVEY OFFICE

PERSONNEL _____ REFERENCE NO. 50 SHEET _____ OF _____
 NOTES Cronin DRAWN 9/25/87
 H.C. Ripple DATE 5/26/87 ROUTE 105
 R.C. Barbour WEATHER sunny COUNTY Ottawa
Geyman TEMP. 80 TOWNSHIP Harris
 SECTION 8
 T 6 N R 14 E

TYPE MONUMENT 3/4" I Rod
 ON SURFACE - BELOW 4" below surface
 LEFT - ☉ PAV'T. - RIGHT 18.5' ± R.L. & Pit
 TO _____ EDGE PAVEMENT
 S.L.M. 23/48



PERSONNEL TITLE PERSONNEL TITLE

COUNTY Ottawa

DATE 2-27-74

S. R. 105

WEATHER cold-wind

SEC. 8

TEMP. 30°

DESCRIPTION Harris Twp

LEFT

CENTER LINE

RIGHT

JOB NO.

