

O.D.O.T. DISTRICT 2 SURVEY OFFICE (USE ONLY)

PERSONNEL

REFERENCE NO. 63

SHEET 45 OF 63

NOTES RHOADES

DATE 7/30/19

ROUTE SR 105

H.C. O'DONNELL

WEATHER PARTLY CLOUDY

COUNTY OTTAWA

R.C. MILLER

TEMP. 80°

TOWNSHIP HARRIS

SECTION 9

DWG BY BALBAUGH PID 92131

T 6 N R 14 E

TYPE MONUMENT P.K./WASHER

ON SURFACE - ~~BELOW~~ ON

OFFSET \odot PAVEMENT 0.4' ~~ET~~ : RT

9.7' TO RT EDGE PAVEMENT

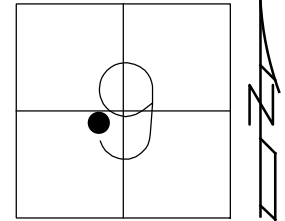
STATION: 279+90.64

HORZ.DATUM: NAD83 2011

GEOID: 2012A

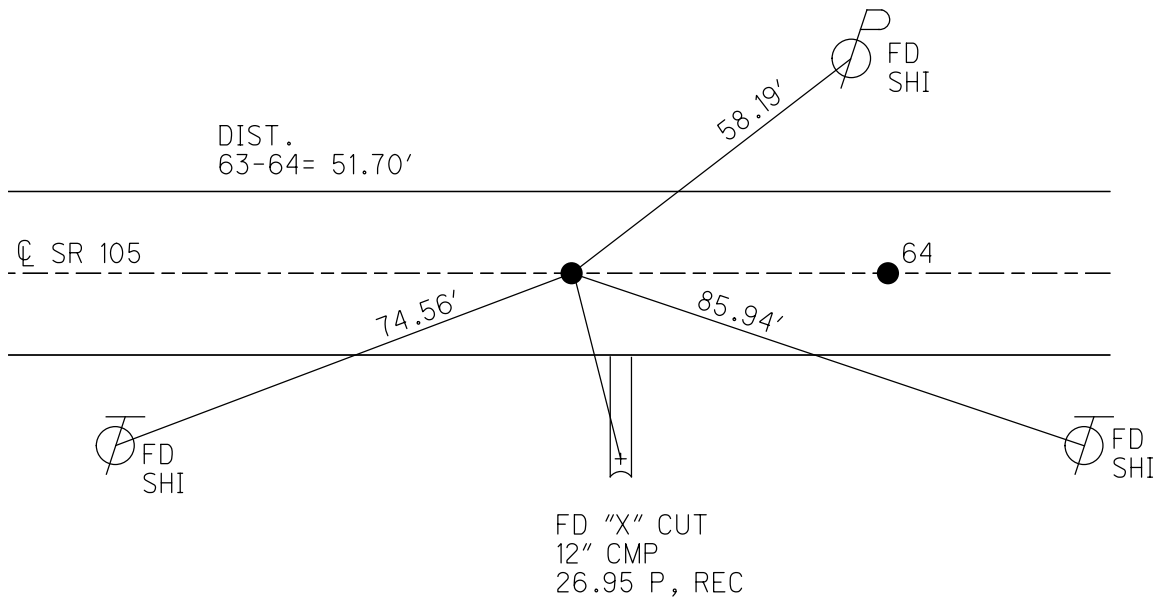
GRID: NORTHING: 666619.630

EASTING: 1762230.501



RECORD:

- FD P.K./WASHER
- 4/18/00, MC
- SET P.K./WASHER
- 6/22/00, KPM
- FD P.K./WASHER
- REF63
- 4/27/18, JFO
- FD P.K./WASHER
- 7/30/19, JFO
- SET MAG/WASHER
- 12/10/19, JFO



O.D.O.T. DISTRICT 2 SURVEY OFFICE

PERSONNEL

REFERENCE NO. 63

SHEET 36 OF 96

NOTES K. MOSER

H.C. M. CANTERBURY

DATE 4-18-00

ROUTE S.R. 105

R.C. M. BARNHISEL

WEATHER CLOUDY

COUNTY OTTAWA

TEMP. +55 °F

TOWNSHIP HARRIS

SECTION 9

T6 N R 14 E

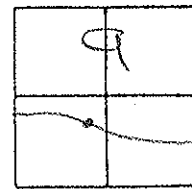
TYPE MONUMENT PK / WASHER

ON SURFACE - ~~BELOW~~ SURFACE

~~LEFT - C~~ PAV'T. - RIGHT 0.4' RT.

9.7' TO RT. EDGE PAVEMENT

S.L.M. 280 + 58



RESET PK/WASHER
 6:22-00
 K.P.M

