

O.D.O.T. DISTRICT 2 SURVEY OFFICE (USE ONLY)

PERSONNEL

REFERENCE NO. 70

SHEET 51 OF 63

NOTES RHOADES

DATE 7/30/19

ROUTE SR 105

H.C. O'DONNELL

WEATHER CLOUDY

COUNTY OTTAWA

R.C. MILLER

TEMP. 82°

TOWNSHIP HARRIS

SECTION 9

DWG BY BALBAUGH

PID 92131

T 6 N R 14 E

TYPE MONUMENT P.K./WASHER

ON SURFACE - ~~BELOW~~ ON

OFFSET \varnothing PAVEMENT 1.3' LT : ~~RT~~

10.2' TO LT EDGE PAVEMENT

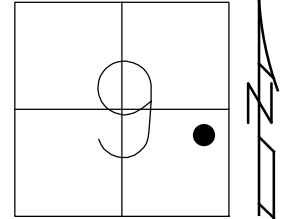
STATION: 305+37.06

HORZ.DATUM: NAD83 2011

GEOID: 2012A

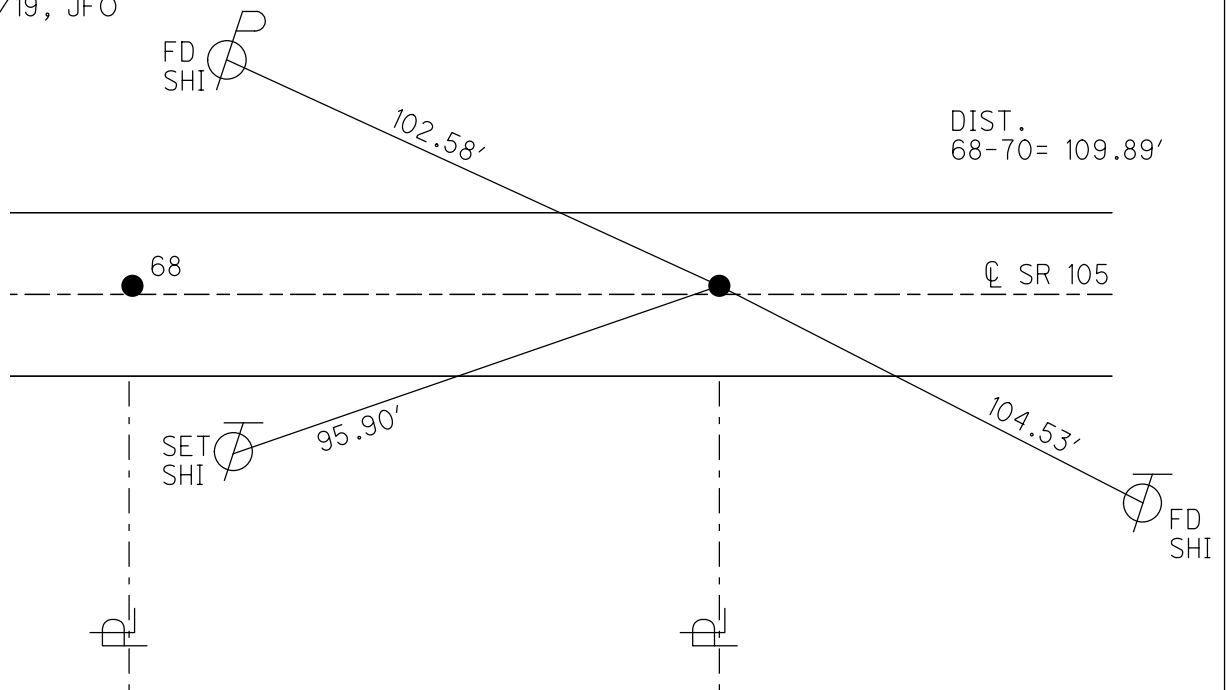
GRID: NORTHING: 666084.815

EASTING: 1764715.521



RECORD:

FD P.K.NAIL
 4/18/00, MC
 SET P.K./WASHER
 6/22/00, KPM
 FD P.K./WASHER
 REF70
 4/27/18, JFO
 FD P.K./WASHER
 7/30/19, JFO
 SET MAG/WASHER
 12/20/19, JFO



O.D.O.T. DISTRICT 2 SURVEY OFFICE

PERSONNEL

NOTES K. MOSER

H.C. M. CANTERBURY

R.C. M. BARNAISEL

REFERENCE NO. 68, 70
69 - D.N.F.

DATE 4-18-00

WEATHER CLOUDY

TEMP. +55 °F

SHEET 41 OF 96

ROUTE S.R. 105

COUNTY OTTAWA

TOWNSHIP HARRIS

SECTION _____

T6 N R 14 E

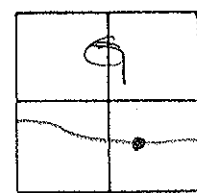
TYPE MONUMENT A = PK SHANK B = PK NAIL

ON SURFACE - BELOW A = 2" BELOW B = SURFACE

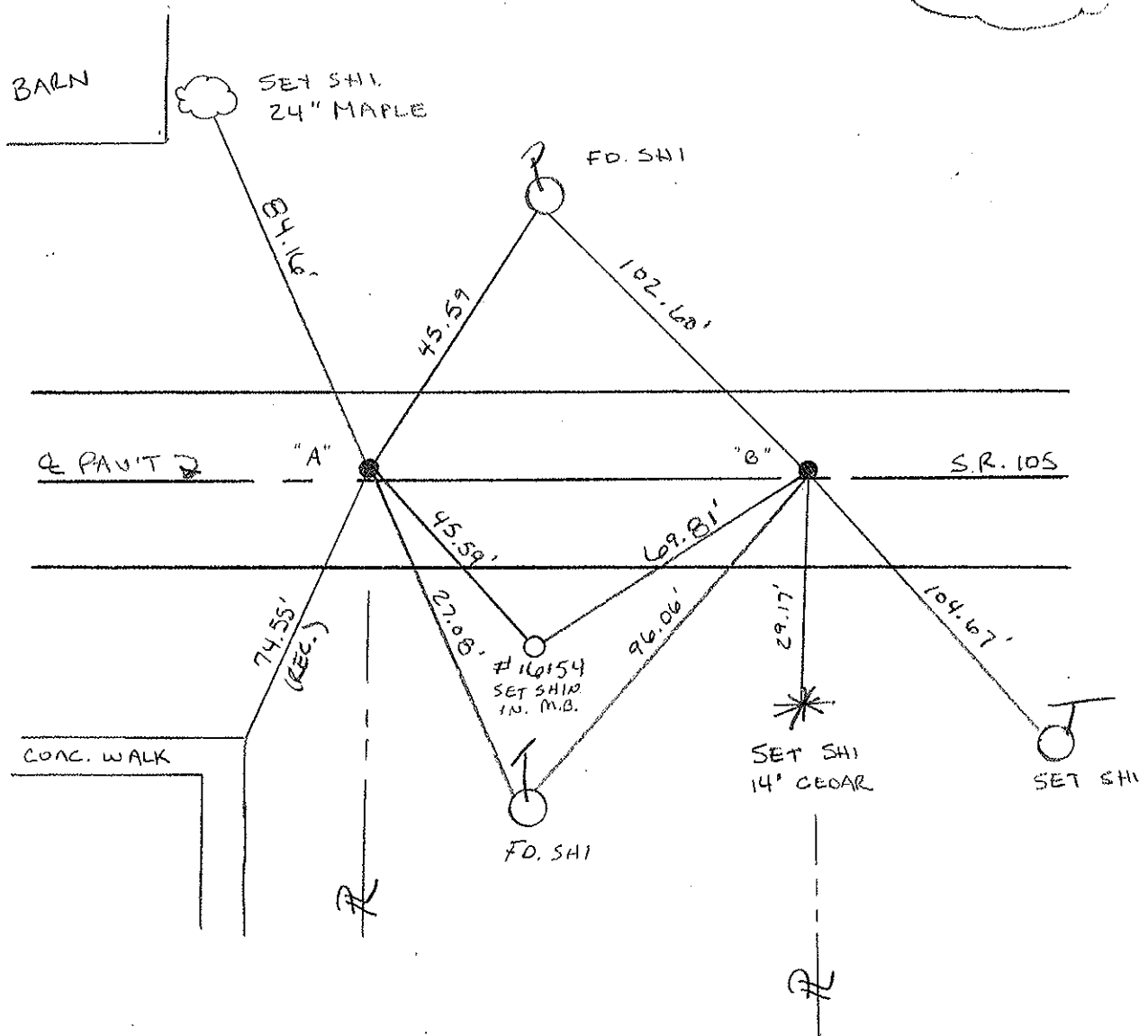
LEFT - C PAV'T - RIGHT A = 1.3' LT B = 1.3' LT

A = 9.7'
B = 10.2' TO LT. EDGE PAVEMENT

S.L.M. A = 305 + 01 B = 306 + 11



RESET PK/WASHER
6:22-00
K.P.M



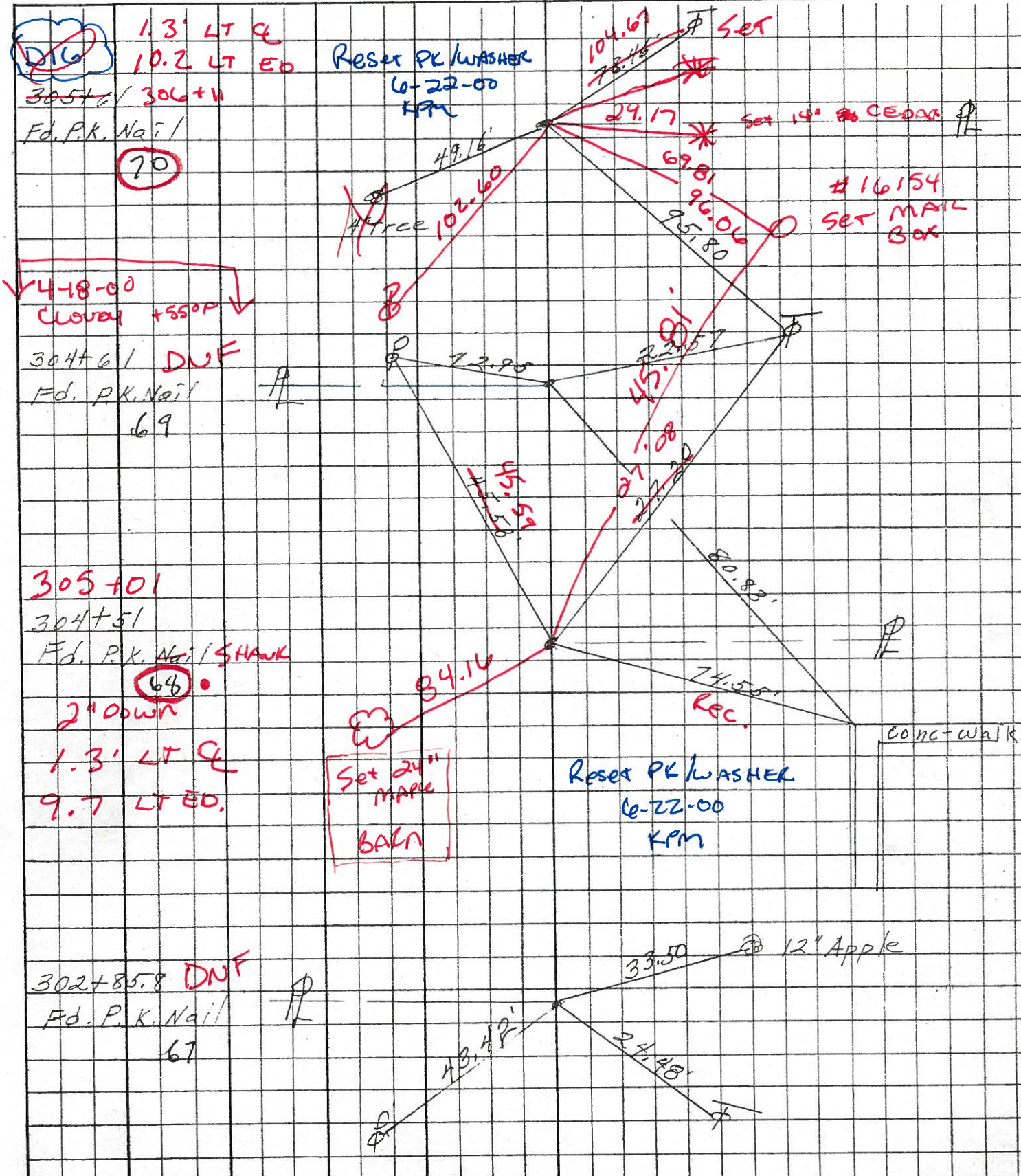
PERSONNEL TITLE PERSONNEL TITLE

COUNTY Ottawa DATE 3-13-74

S. R. 105 WEATHER Cold-windy

SEC. 4-19-00 CLOUDY +60°F TEMP. 25°

DESCRIPTION HARRIS TWP. LEFT CENTER LINE RIGHT JOB NO.



PERSONNEL TITLE PERSONNEL TITLE

COUNTY Ottawa

DATE 3-13-74

S. R. 105

WEATHER Cold-windy

SEC. 9

TEMP. 25°

DESCRIPTION Harris Twp.

JOB NO.

LEFT

CENTER LINE

RIGHT

