

O.D.O.T. DISTRICT 2 SURVEY OFFICE (USE ONLY)

PERSONNEL

REFERENCE NO. 89

SHEET 70 OF 70

NOTES RHOADES

DATE 7-31-2019

ROUTE SR 105

H.C. O'DONNELL

WEATHER CLOUDY

COUNTY OTTAWA

R.C. MILLER

TEMP. 76° F

TOWNSHIP HARRIS

DWG BY AUBLE

PID 92131

SECTION 10

T 6 N R 14 E

TYPE MONUMENT P.K.NAIL

~~ON SURFACE~~ - BELOW 4"

OFFSET 1.0' ~~RT~~ : RT

9.3' TO RT EDGE PAVEMENT

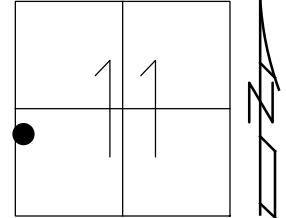
STATION: 369+17.67

HORZ.DATUM: NAD83 2011

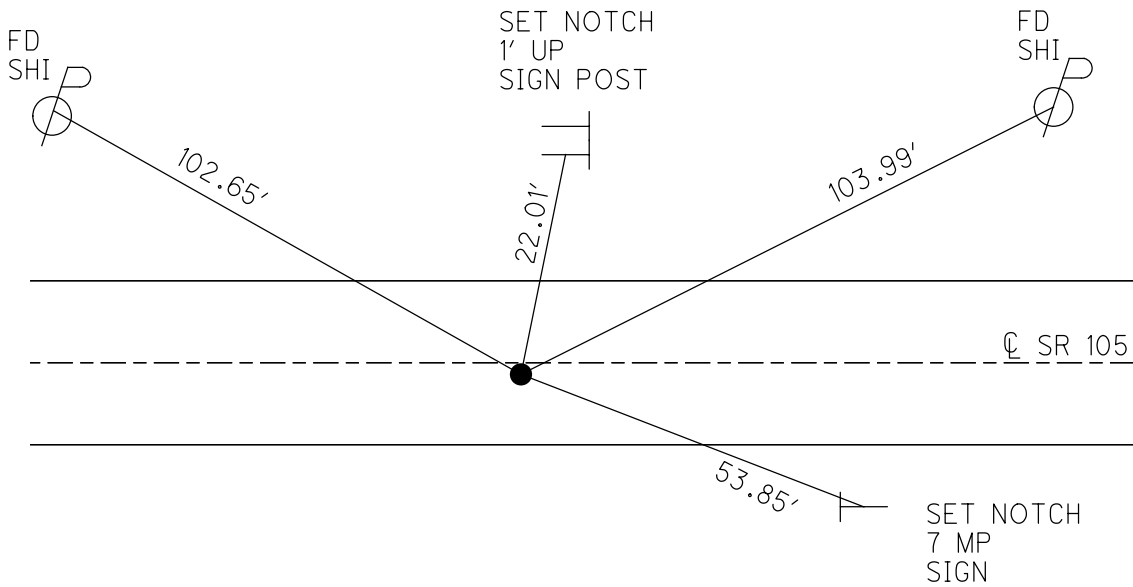
GEOID: 2012A

GRID: NORTHING: 666443.227

EASTING: 1771044.204



RECORD:
 FD P.K./WASHER
 4/21/00, MB
 SET P.K./WASHER
 6-14-00, KPM
 FD P.K.NAIL
 4" DOWN
 REF89
 4-30-18, JFO
 SET MAG/WASHER
 4-3-20, JFO



O.D.O.T. DISTRICT 2 SURVEY OFFICE

PERSONNEL

REFERENCE NO. 89

SHEET 56 OF 96

NOTES K. MOSER

H.C. M. CANTERBURY

DATE 4-21-00

ROUTE S.R. 105

R.C. M. BARNHISEL

WEATHER CLOUDY

COUNTY OTTAWA

TEMP. +55°F

TOWNSHIP HARRIS

SECTION 11

T 6 N R 14 E

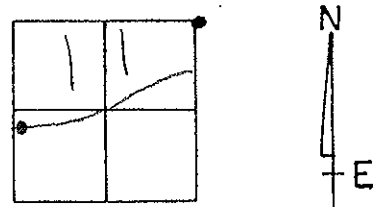
TYPE MONUMENT PK / WASHER

ON SURFACE - ~~BELOW~~ SURFACE

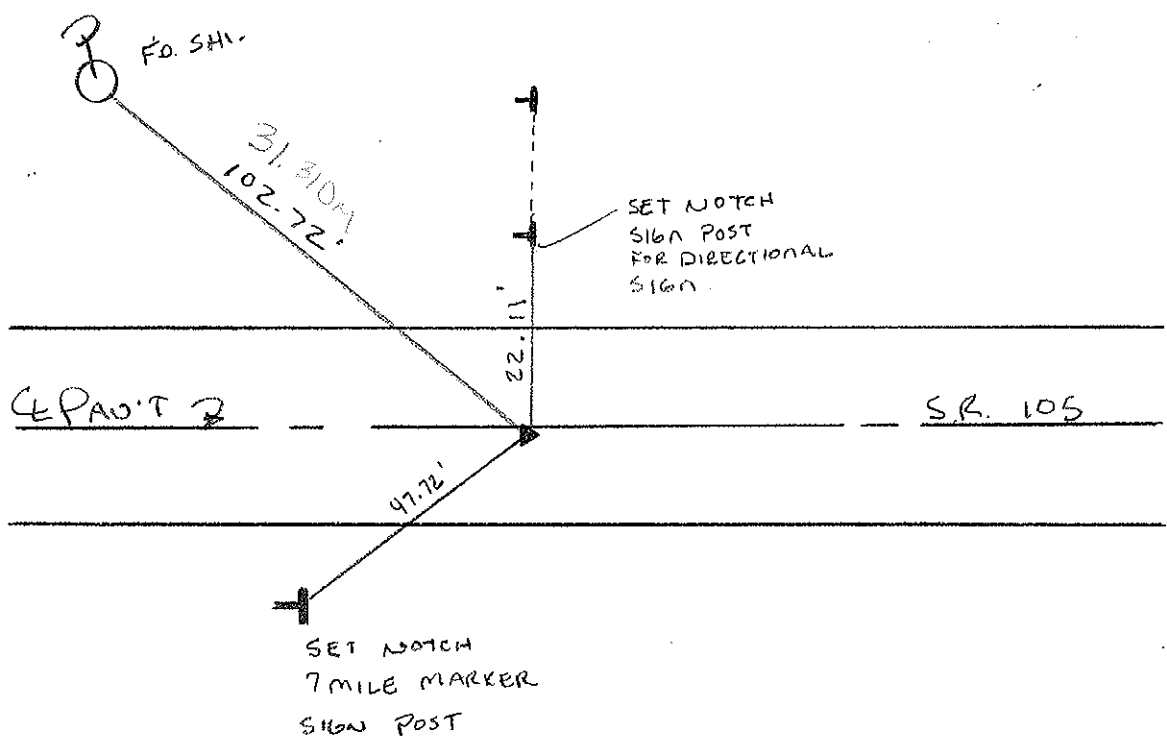
~~LEFT - C~~ PAV'T. - RIGHT L.O'RT

9.3 TO RT EDGE PAVEMENT

S.L.M. 370 + 18



RESET PK/WASHER
 6-14-00
 KPM



O.D.O.T. DISTRICT 2 SURVEY OFFICE

PERSONNEL

REFERENCE NO. 89

SHEET OF

NOTES Cronin

DRAWN 6/02/87

H.C. Ripple

DATE 8/20/87

ROUTE # 105

R.C. Barbour

WEATHER sunny

COUNTY Ottawa

Geyman

TEMP. 72°

TOWNSHIP Harris

SECTION 11

T 6 N R 14 E

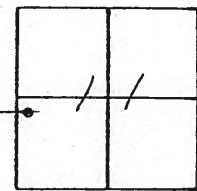
TYPE MONUMENT P.K. & washer

ON SURFACE - BELOW

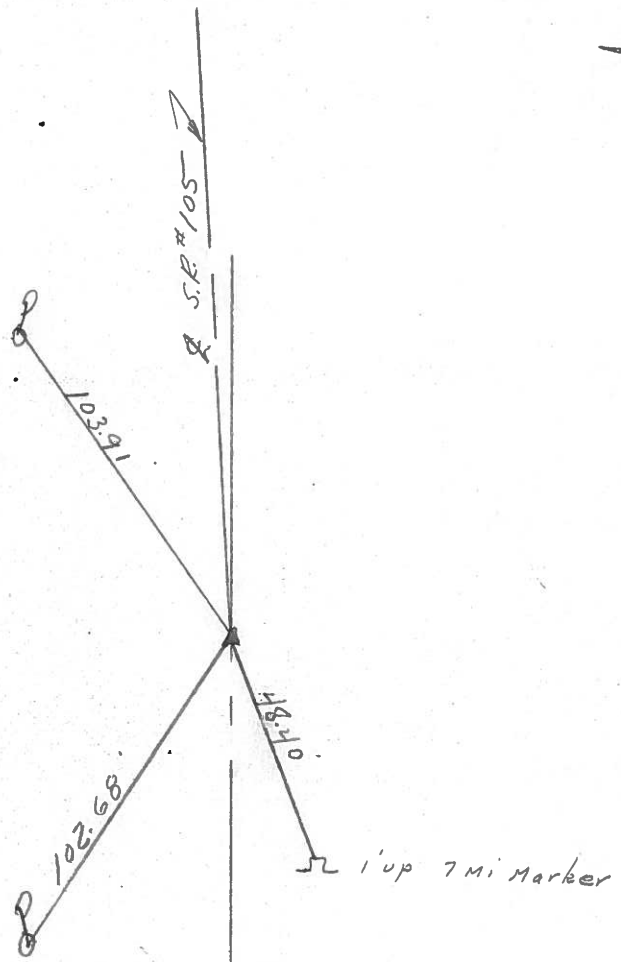
LEFT - PAV'T. - RIGHT

 TO EDGE PAVEMENT

S.L.M. 369+41



P.K. at top P.K. below
P.K. & washer



Resurfaced 2000

SHEET NO. 18

PERSONNEL TITLE PERSONNEL TITLE

COUNTY Ottawa DATE 4-17-74

S. R. 105 WEATHER Fair

SEC. 105 11 TEMP. 60°

DESCRIPTION Harris Twp. JOB NO. _____

LEFT CENTER LINE RIGHT

