

O.D.O.T. DISTRICT 2 SURVEY OFFICE (USE ONLY)

PERSONNEL

REFERENCE NO. 118

SHEET 30 OF 42

NOTES RHOADES

DATE 8-5-19

ROUTE SR 105

H.C. O'DONNELL

WEATHER SUNNY

COUNTY OTTAWA

R.C. MILLER

TEMP. 74°F

TOWNSHIP SALEM

SECTION 6

DWG BY MAHLER PID 92131

T 6 N R 14 E

TYPE MONUMENT P.K./WASHER

ON SURFACE - ~~BELOW~~ ON

OFFSET 0 PAVEMENT ON LT : RT

10.2' TO LT EDGE PAVEMENT

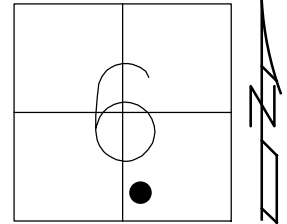
STATION: 502+07.48

HORIZ.DATUM: NAD83 (2011)

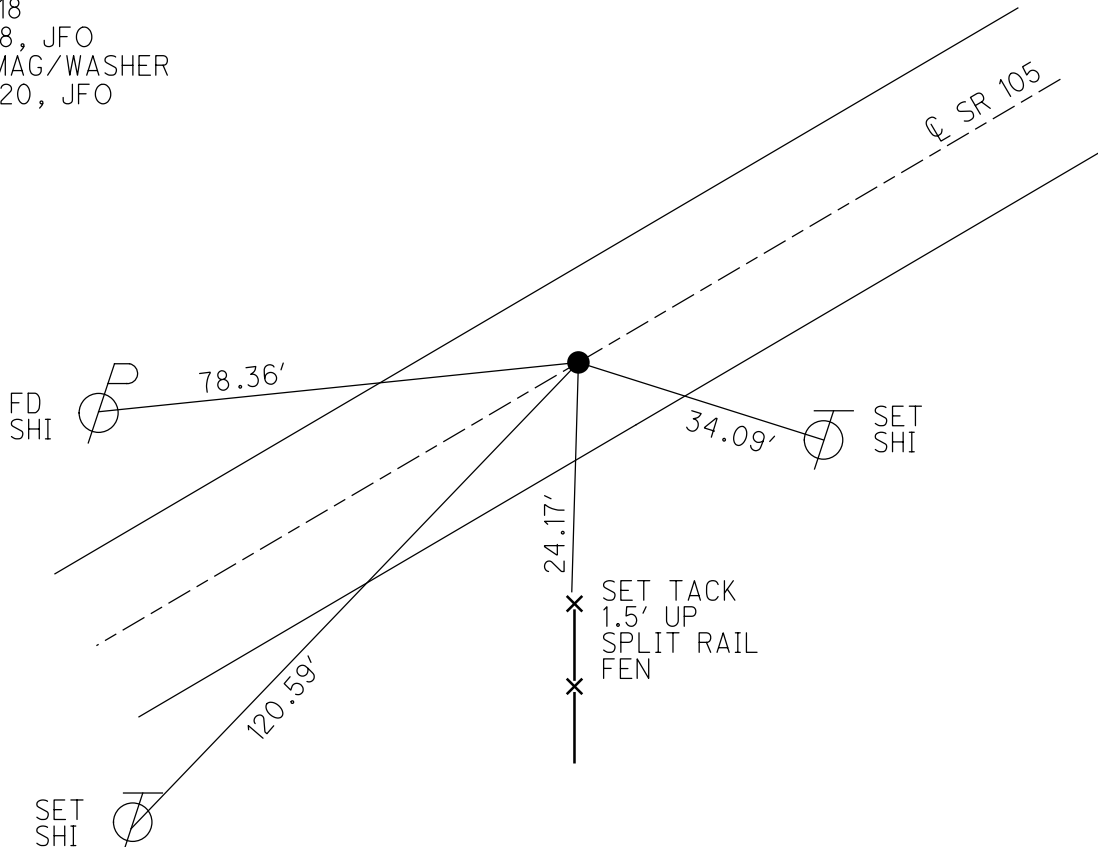
GEOID: 2012A

GRID: NORTHING: 669425.566

EASTING: 1783953.791



RECORD:
 FD P.K./WASHER
 4/26/00, MB
 SET P.K./WASHER
 6-13-00, KPM
 FD P.K./WASHER
 REF 118
 5-8-18, JFO
 SET MAG/WASHER
 4-13-20, JFO



O.D.O.T. DISTRICT 2 SURVEY OFFICE

PERSONNEL

REFERENCE NO. 118

SHEET 87 OF 96

NOTES K. Moser

H.C. M. CANTERBURY

R.C. M. BALNISEL

DATE 4-26-00

WEATHER SUNNY

TEMP. +60°F

ROUTE S.R. 105

COUNTY OTTAWA

TOWNSHIP SALEM

SECTION 6

T6 N R 14 E

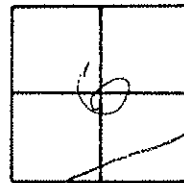
TYPE MONUMENT PK WASHER

ON SURFACE - BELOW SURFACE

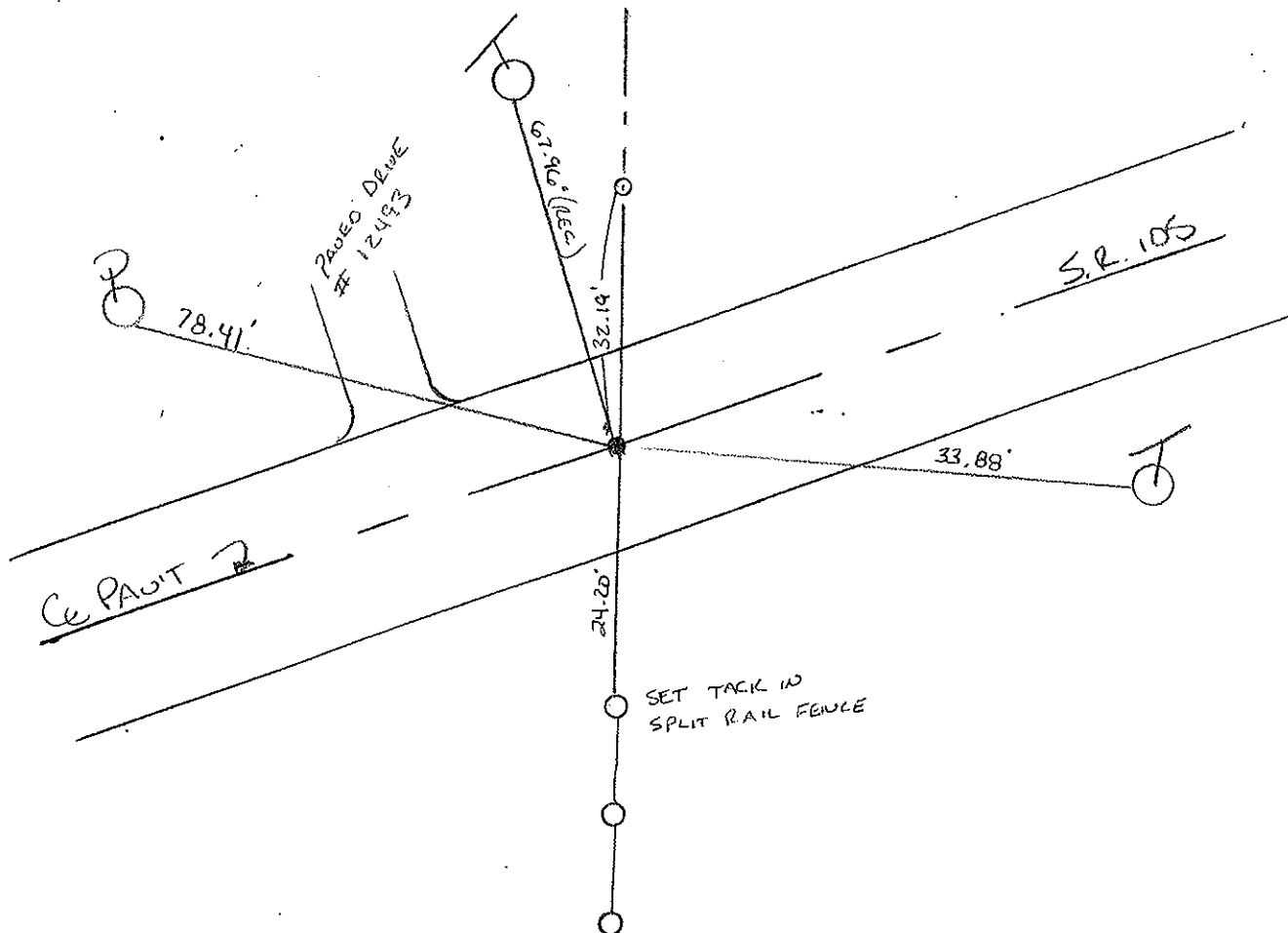
LEFT - C. PAV'T. - RIGHT C. PAV'T

10.2' TO LT. EDGE PAVEMENT

S.L.M. 503+43



RESET PK WASHER
 6-13-00
 K.P.M.



O.D.O.T. DISTRICT 2 SURVEY OFFICE

PERSONNEL

REFERENCE NO. 118

SHEET OF

NOTES Cronin

DRAWN 6/06/88 (92°)

H.C. Ripple

DATE 8/20/87

ROUTE #105

R.C. Borbour

WEATHER sunny

COUNTY Ottawa

Geyman

TEMP. 84°

TOWNSHIP Salem

SECTION 6

T 6 N R 14 E

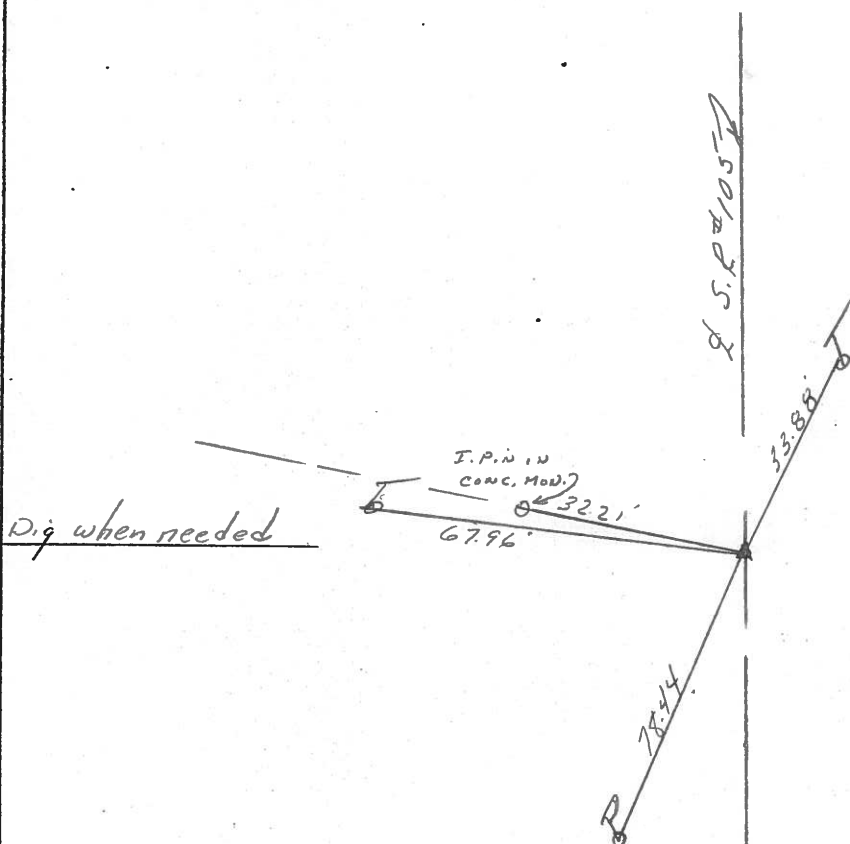
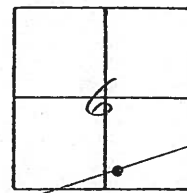
TYPE MONUMENT P.K. atop P.K.

ON SURFACE - BELOW

LEFT - & PAV'T. - RIGHT

 TO EDGE PAVEMENT

S.L.M. 502+32



PERSONNEL	TITLE	PERSONNEL	TITLE	COUNTY	DATE
Schneider				Ottawa	
Mosser				S. R. 105	WEATHER Cloudy
Barbour				SEC.	TEMP. 76°
Rippl					

DESCRIPTION Salem Twp. LEFT CENTER LINE RIGHT JOB NO.

