

O.D.O.T. DISTRICT 2 SURVEY OFFICE (USE ONLY)

PERSONNEL

REFERENCE NO. 129

SHEET 42 OF 43

NOTES NIESE

DATE 6/20/23

ROUTE SR 105

H.C. NIESE

WEATHER SUNNY

COUNTY OTTAWA

R.C. AUBLE

TEMP. 39°

TOWNSHIP SALEM

SECTION 5

DWG BY RHOADES

PID 102952

T 6 N R 14 E

TYPE MONUMENT HARROW TOOTH

~~ON SURFACE~~ - BELOW 2"

OFFSET  $\varnothing$  PAVEMENT 16.7' LT : ~~RT~~

- TO - EDGE PAVEMENT

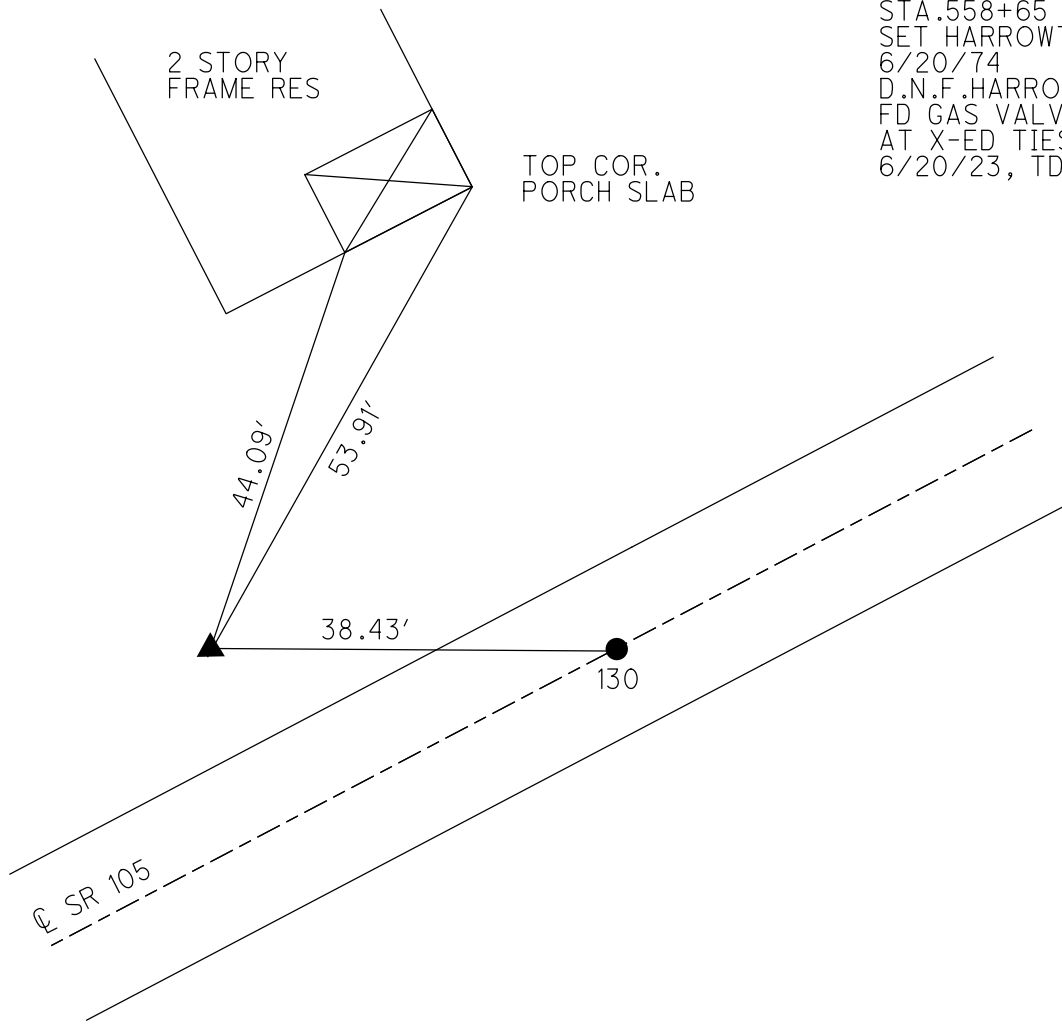
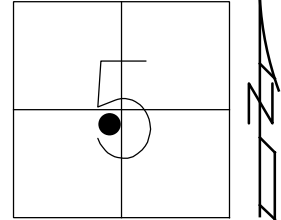
STATION: ± 557+96.97

HORZ.DATUM: \_\_\_\_\_

GEOID: \_\_\_\_\_

GRID: NORTHING: \_\_\_\_\_

EASTING: \_\_\_\_\_



RECORD: P.I.  
 STA. 558+65  
 SET HARROWTOOTH  
 6/20/74  
 D.N.F. HARROWTOOTH  
 FD GAS VALVE  
 AT X-ED TIES  
 6/20/23, TDN

# O.D.O.T. DISTRICT 2 SURVEY OFFICE

PERSONNEL

NOTES

H.C.

R.C.

REFERENCE NO. 129

Draw 6/06/88

DATE 8/25/87

WEATHER overcast

TEMP. 53°

SHEET      OF     

ROUTE # 105

COUNTY Ottawa

TOWNSHIP Salem

SECTION 5

T. 6 N. 14 E.

TYPE MONUMENT Harrow tooth

ON SURFACE - BELOW 2'

LEFT - 16.7' PAV'T. - RIGHT

JG EDGE PAVEMENT

S.L.M. 558+65

