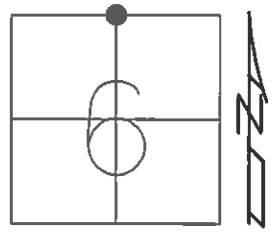


O.D.O.T. DISTRICT 2 SURVEY OFFICE (USE ONLY)

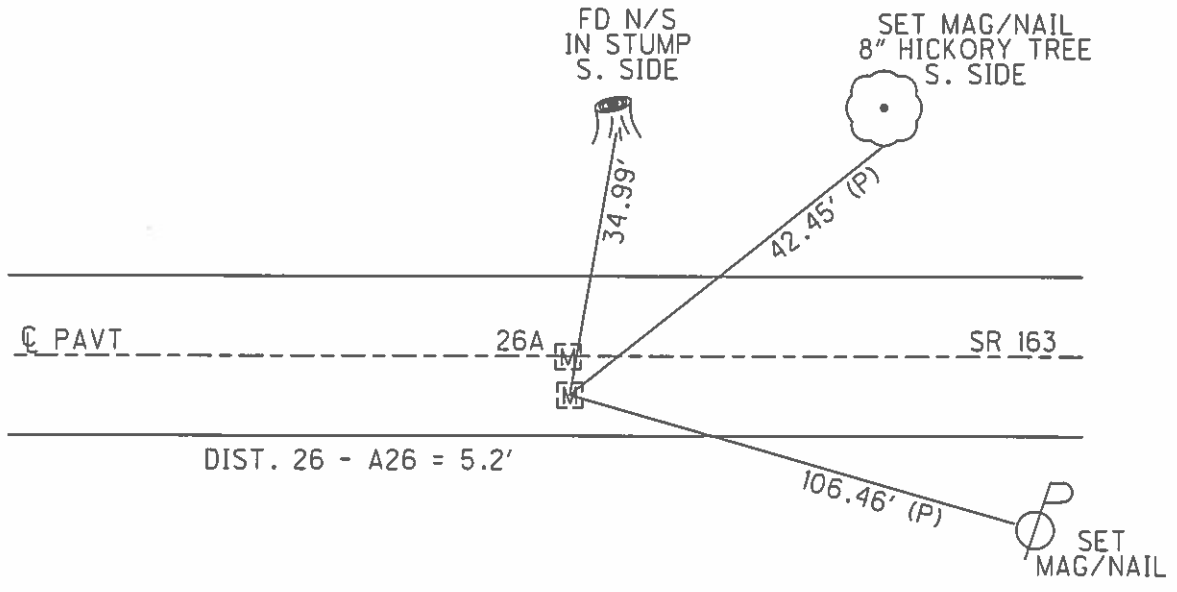
PERSONNEL _____ REFERENCE NO. 26 SHEET 9 OF 20
 NOTES RHOADES DATE 5/7/13 ROUTE SR 163
 H.C. CODER WEATHER FAIR COUNTY OTTAWA
 R.C. RHOADES TEMP. 70° F TOWNSHIP HARRIS
 _____ SECTION 6
 _____ T 6 N R 14 E

TYPE MONUMENT MONBOX
 ON SURFACE - ~~BELOW~~ ON _____
~~LEFT~~ - ☉ PAV'T - RIGHT 5'
5.5' TO RT EDGE PAVEMENT
 S.L.M. 342+37
 Grid: Northing: 674817.1115 Easting: 1752216.2887



RECORD: P.I.
 STA 342+06.06
 PK/WASHER ATOP
 P.K.NAIL
 7-23-85
 MONBOX
 9-24-93, RCC
 FD MONBOX
 7-26-02, MB
 FD MONBOX
 1-3-12, M.C.

NOTE:
 ON ☉ SR 163 SURVEY & CONSTRUCTION
 341+83.69 PER OTT-163-5.98 PLAN (1992)



O.D.O.T. DISTRICT 2 SURVEY OFFICE

PERSONNEL _____

REFERENCE NO. 26

SHEET 7 OF 24

NOTES CHENEY

H.C. RIPPLE

R.C. BARBOUR

DATE 6-17-1993

WEATHER FAIR

TEMP. 80°

ROUTE #163

COUNTY OTAWA

TOWNSHIP HARRIS

SECTION 6

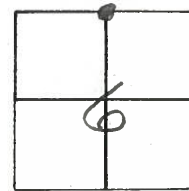
T. 6 N R. 14 E

TYPE MONUMENT MONUMENT BOXES

ON SURFACE - ~~BELOW~~ ON

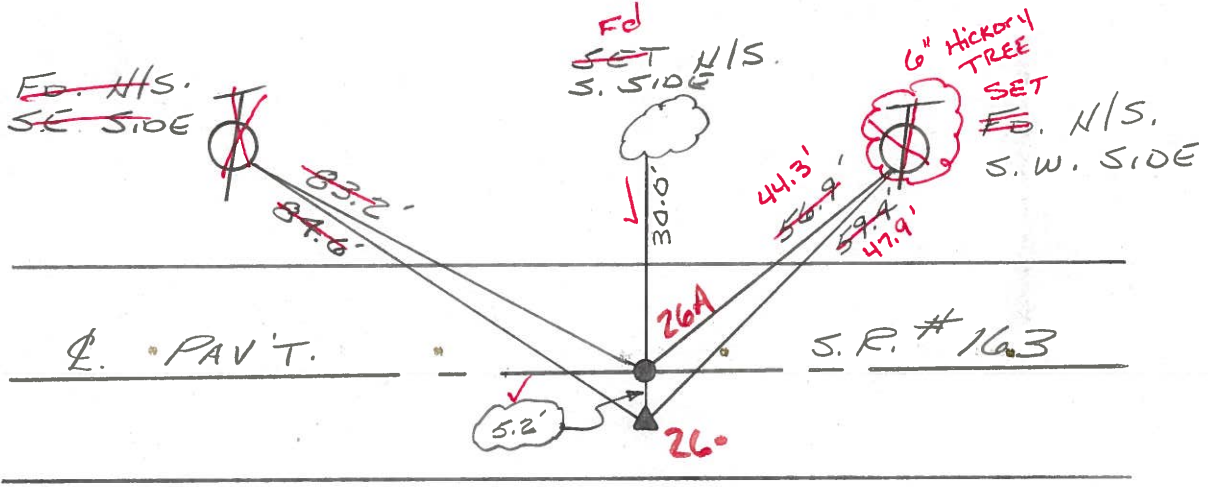
LEFT- $\&$ PAV'T. - RIGHT P.I. IS 5' RT. OTHER IS ON $\&$
~~P.I. 5.5'~~
10.7' TO RT. EDGE PAVEMENT

S.L.M. 342+37



RECORD: 7-23-1985
P.I. STA. 342+06.06
PK/WASHER ATOP P.K.

Boxes @ Surface
 9-24-1993
 RCC



Fd Mon. Boxes
 7-26-02
 MB

Preventive Maintenance
 Microsurfaced 2002
 Existing Point Uncovered
 Date 11-29-02

O.D.O.T. DISTRICT 2 SURVEY OFFICE

Ⓟ

PERSONNEL

NOTES CRONIN
H.C. RIPPLE
R.C. BARBOUR
GEYMAN

REFERENCE NO. 26

DRAWN 7/30/85

DATE 7/23/85

WEATHER SUNNY

TEMP. 71°

SHEET OF

ROUTE 163

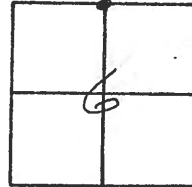
COUNTY OTTAWA

TOWNSHIP HARRIS

SECTION 6

T 6 N R 14 E

TYPE MONUMENT P.K. & WASHER ATOP P.K.
ON SURFACE - BELOW ON SURFACE
LEFT - PAV'T. - RIGHT S' RT. & PAV'T.
TO EDGE PAVEMENT
S.L.M. 6.48 ±



P.I
342+06.06

