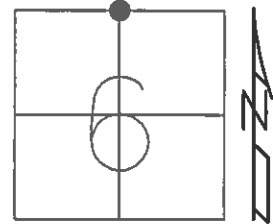


O.D.O.T. DISTRICT 2 SURVEY OFFICE (USE ONLY)

PERSONNEL _____ REFERENCE NO. 26 A SHEET 10 OF 20
 NOTES RHOADES DATE 5/7/13 ROUTE SR 163
 H.C. CODER WEATHER FAIR COUNTY OTTAWA
 R.C. RHOADES TEMP. 70° F TOWNSHIP HARRIS
 _____ SECTION 6
 _____ T 6 N R 14 E

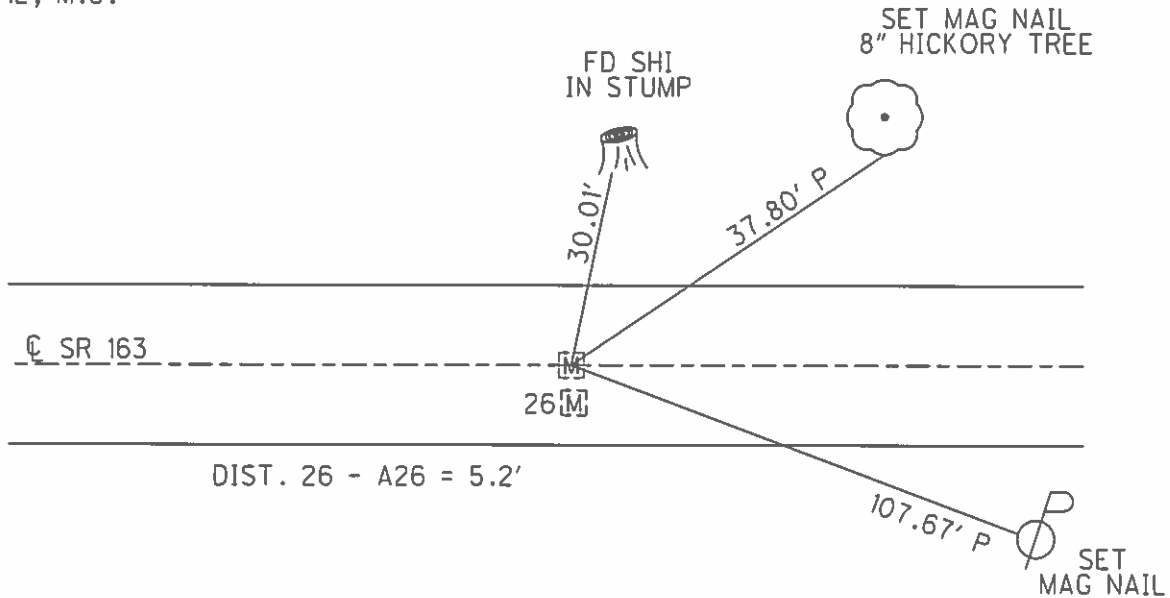
TYPE MONUMENT MONBOX
 ON SURFACE - ~~BELOW~~ ON
~~LEFT~~ - Q PAV'T - ~~RIGHT~~ ON
10.7' TO RT EDGE PAVEMENT
 S.L.M. 342+37



Grid: Northing: 674822.0481 Easting: 1752216.4920

RECORD: P.I.
 STA 342+06.06
 PK/WASHER ATOP
 P.K.NAIL
 7-23-85
 FD MONBOX
 9-24-93, RCC
 FD MONBOX
 7-26-02, MB
 FD MONBOX
 1-3-12, M.C.

NOTE:
 SE/CORNER, SW 1/4 SECTION 31



O.D.O.T. DISTRICT 2 SURVEY OFFICE

PERSONNEL _____

REFERENCE NO. 26

SHEET 7 OF 24

NOTES CHENEY

H.C. RIPPLE

R.C. BARBOUR

DATE 6-17-1993

WEATHER FAIR

TEMP. 80°

ROUTE #163

COUNTY OTTAWA

TOWNSHIP HARRIS

SECTION 6

T. & N. R. 14 E

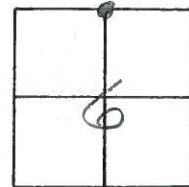
TYPE MONUMENT MONUMENT BOXES

ON SURFACE - ~~BELOW~~ ON

LEFT- & PAV'T. - RIGHT P.I. IS 5' RT.; OTHER IS ON &

P.I. 5.5'
10.7' TO RT. EDGE PAVEMENT

S.L.M. 342+37

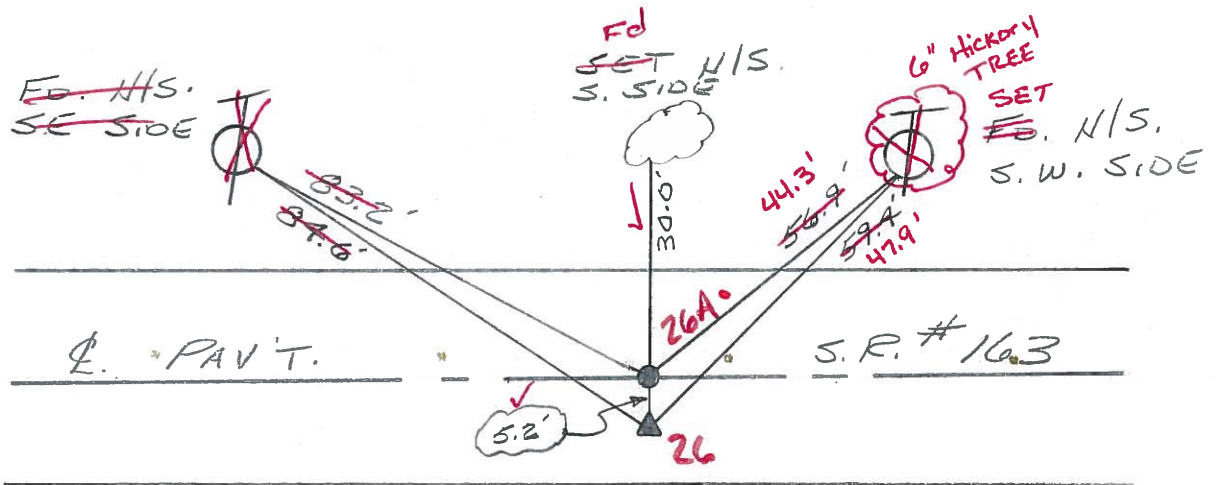


RECORD: 7-23-1985

P.I. STA. 342+06.06

PK/WASHER ATOP P.K.

Boxes @ Surface
9-24-1993
RCC



Fd Mon. Boxes
7-26-02
MB

Preventive Maintenance
Microsurfaced 2002
Existing Point Uncovered
Date 11-29-02

PERSONNEL TITLE PERSONNEL TITLE

COUNTY Ottawa DATE Jan. 1961

S. R. 163 WEATHER

SEC. 3.24 TEMP.

DESCRIPTION Control Points JOB NO.

LEFT CENTER LINE RIGHT

