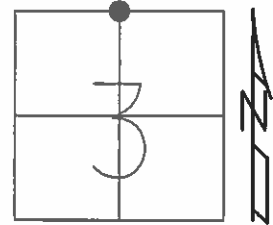


O.D.O.T. DISTRICT 2 SURVEY OFFICE (USE ONLY)

PERSONNEL	REFERENCE NO.	<u>32 A</u>	SHEET	<u>18</u>	OF	<u>20</u>
NOTES	<u>RHOADES</u>	DATE	<u>5/15/13</u>	ROUTE	<u>SR 163</u>	
H.C.	<u>CODER</u>	WEATHER	<u>WINDY</u>	COUNTY	<u>OTTAWA</u>	
R.C.	<u>ROUSOS</u>	TEMP.	<u>78° F</u>	TOWNSHIP	<u>HARRIS</u>	
				SECTION	<u>3</u>	
				T	<u>6</u>	R
					<u>N</u>	<u>14</u>
					<u>E</u>	

TYPE MONUMENT MAG SPIKE
 ON SURFACE - ~~BELOW~~ ON _____
~~LEFT~~ - ℄ PAV'T - ~~RIGHT~~ _____
8.5' TO RT EDGE PAVEMENT
 S.L.M. 501+05

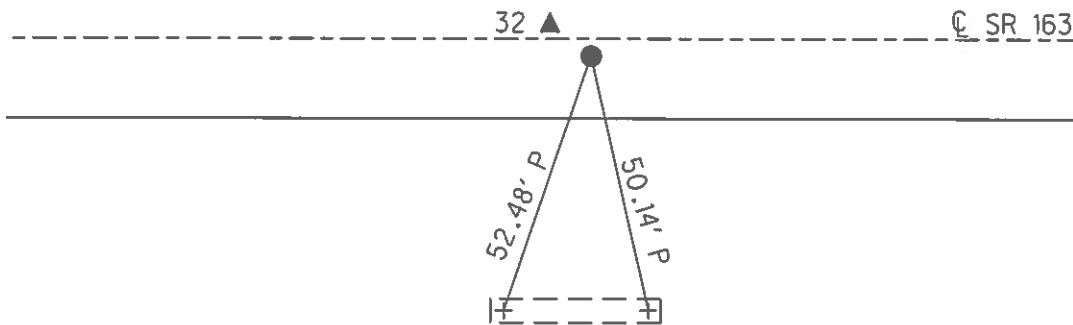


Grid: Northing: 674764.515 Easting: 1768048.010

FD MONBOX
 NEWREFA32
 5-01-14, TMR

$\frac{1}{4}$ SECTION CORNER

DIST. 32-32A = 0.52'



FD DRILLED HOLE IN CTR.
 OF OLD "+S" FD IN
 8" WIDE CONC. BLOCK HDWL