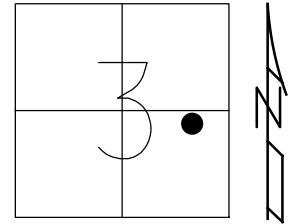


O.D.O.T. DISTRICT 2 SURVEY OFFICE (USE ONLY)

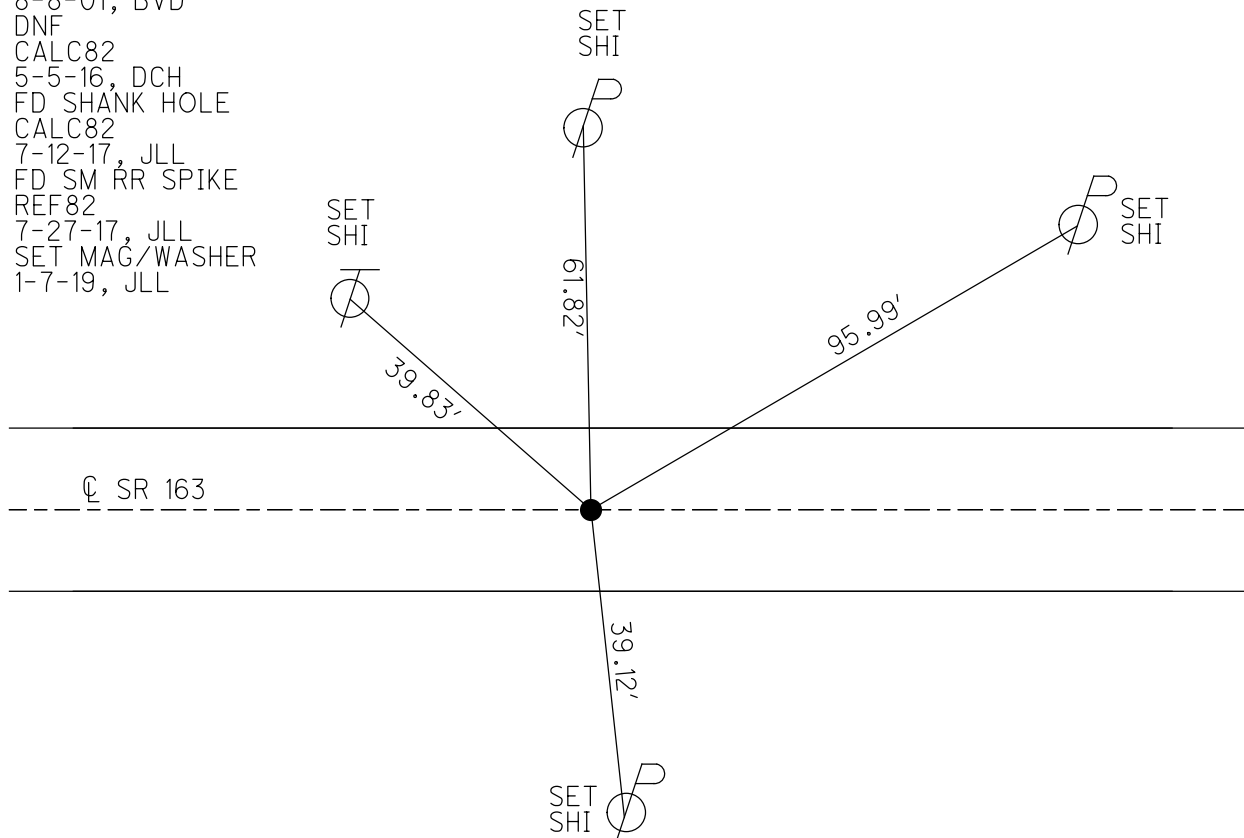
PERSONNEL \_\_\_\_\_ REFERENCE NO. 82 SHEET 51 OF 74  
 NOTES HOMAN DATE 7-27-17 ROUTE SR 163  
 H.C. LEU WEATHER CLOUDY COUNTY OTTAWA  
 R.C. CARSON TEMP. 76° TOWNSHIP SALEM  
 DWG BY JAMES PID 95757 SECTION 3  
 T 6 N R 15 E

TYPE MONUMENT FD SM RR SPIKE  
~~ON SURFACE~~ - BELOW 0.41'  
 OFFSET ☐ PAVEMENT ON \_\_\_\_\_ LT : RT  
 \_\_\_\_\_ TO \_\_\_\_\_ EDGE PAVEMENT  
 STATION: 851+23



HORIZ.DATUM: NAD83 2011 GEOID: NAVD88 2012A  
 GRID: NORTHING: 671083.018 EASTING: 1801517.506

RECORD: P.T.  
 STA 125+50.71  
 SM RR SPK  
 FD P.K./WASHER  
 8-8-01, BVD  
 DNF  
 CALC82  
 5-5-16, DCH  
 FD SHANK HOLE  
 CALC82  
 7-12-17, JLL  
 FD SM RR SPIKE  
 REF82  
 7-27-17, JLL  
 SET MAG/WASHER  
 1-7-19, JLL



# O.D.O.T. DISTRICT 2 SURVEY OFFICE

PERSONNEL

REFERENCE NO. 82

SHEET 41 OF 63

NOTES Cordes

H.C. VanDusen

DATE 8-8-01

ROUTE 163

R.C. Karger

WEATHER cldy

COUNTY Ottawa

Brown

TEMP. 80° F

TOWNSHIP Salem

SECTION 3

T 6 N R 15 E

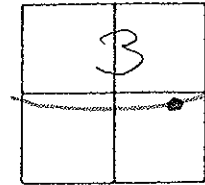
TYPE MONUMENT PK/W

ON SURFACE - BELOW Small RR Spk

LEFT- & PAV'T. - RIGHT E Pavt.

TO EDGE PAVEMENT

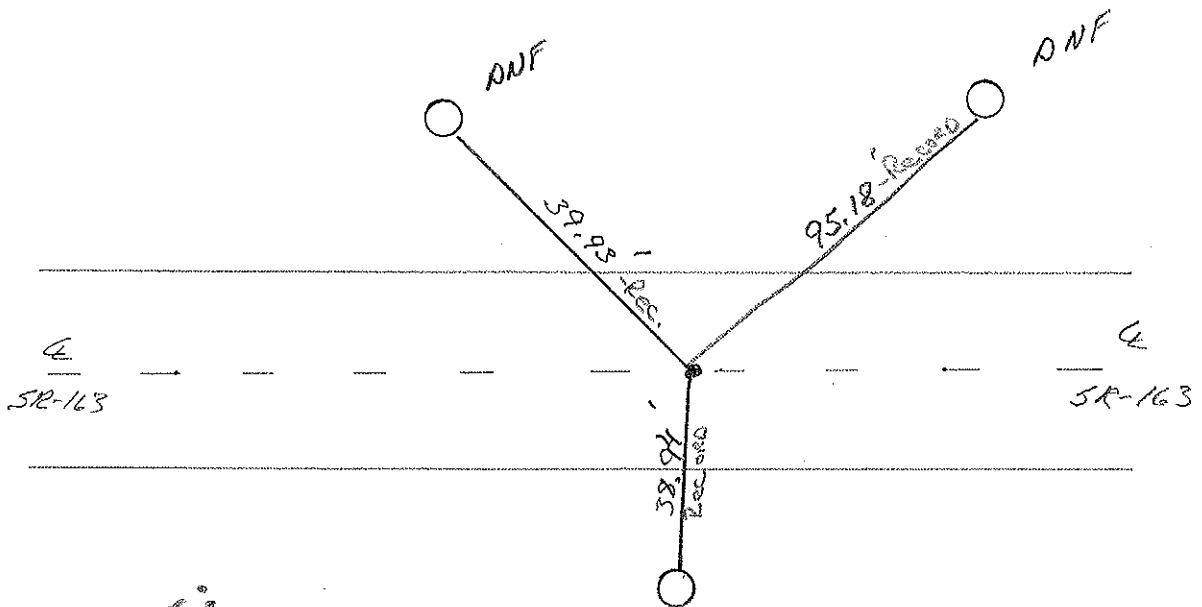
S.L.M. 851423



Record:

PT - 125+50.71

Small RR Spk



NOTE:

Unable to locate - 2 of 3 ties are gone will have to dig

FD  
N/S/i

O.D.O.T. DISTRICT 2 SURVEY OFFICE

PERSONNEL

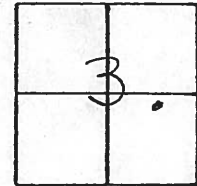
NOTES Cronin  
H.C. Ripple  
R.C. BARBOUR  
Geyman

REFERENCE NO. 82  
DRAWN 7/06/88  
DATE 5/24/90  
WEATHER Cloudy  
TEMP. 70°

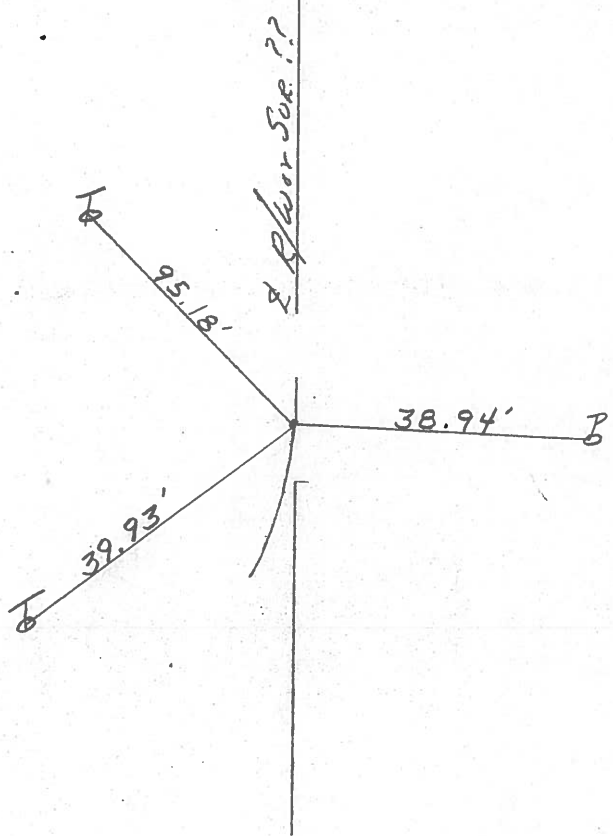
SHEET 33 OF     

ROUTE #163  
COUNTY Ottawa  
TOWNSHIP Salem  
SECTION 3  
T.6 N R.15 E

TYPE MONUMENT SET PK. NAIL WASHER  
ON SURFACE - BELOW Small R/R spike  
LEFT - & PAV'T. - RIGHT & PAV'T.  
TO      EDGE PAVEMENT  
S.L.M. Sta. 125+50.71



P.T.  
125+50.71  
Small R/R spike



PERSONNEL TITLE PERSONNEL TITLE

COUNTY Ottawa

DATE March 1972

S. R. 163

WEATHER

SEC. Oak Harbor-East

TEMP.

DESCRIPTION sec 3 Salem Twp

JOB NO.

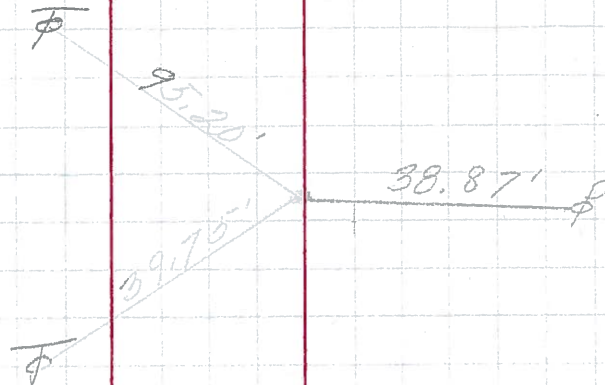
LEFT

CENTER LINE

RIGHT

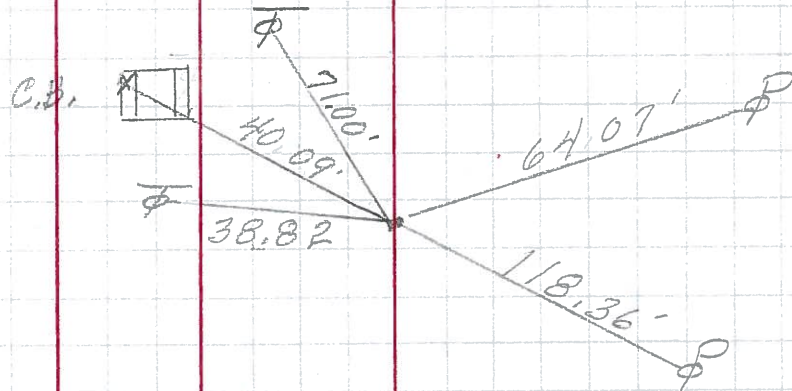
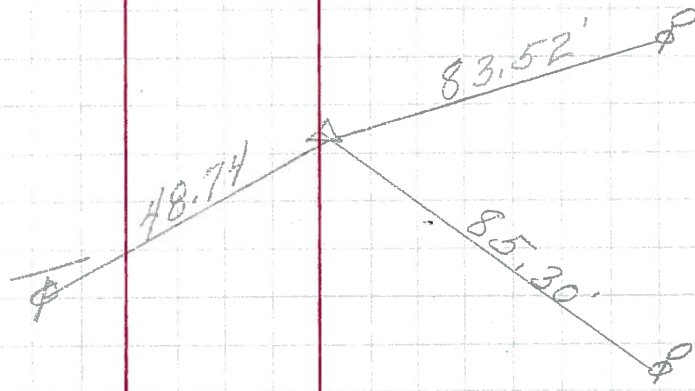
P.T.  
125+50.71  
Small R.R. Spk.

82



P.I.  
122+90.71  
Δ = 6°56'30" Lt.  
Small R.R. Spk.

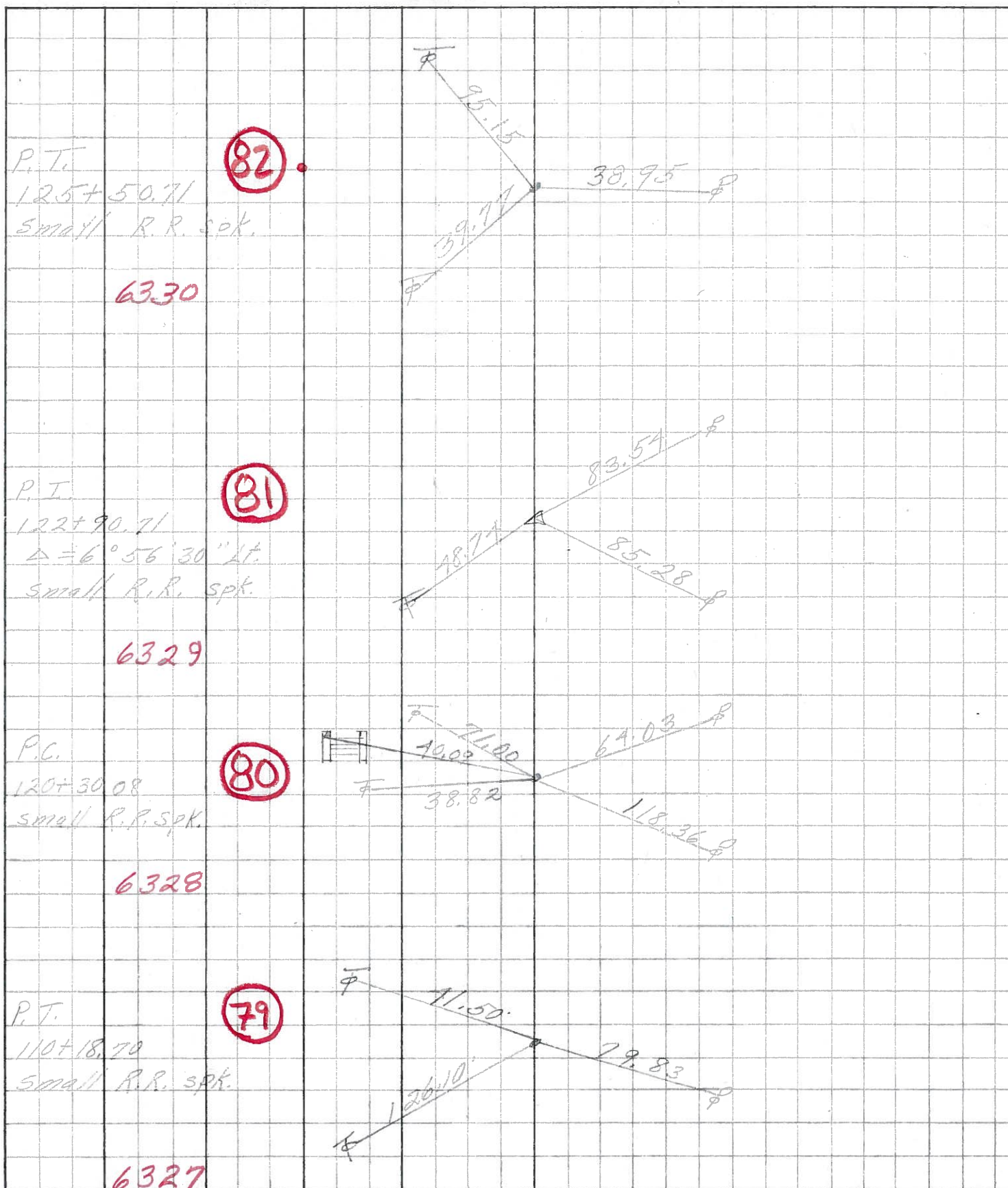
81



P.C.  
120+30.08  
Small R.R. Spk.

80

PERSONNEL	TITLE	PERSONNEL	TITLE	COUNTY	DATE
<u>Schneider</u>		<u>Potts</u>		<u>Ottawa</u>	<u>Aug. 1968</u>
<u>Mosser</u>				S. R. <u>163</u>	WEATHER
<u>Barboar</u>				SEC. <u>Oak Harbor-East</u>	TEMP.
<u>Redding</u>					
DESCRIPTION <u>Ties for Control Points</u>				JOB NO.	



PERSONNEL TITLE PERSONNEL TITLE

Krabill  
Kowaleski  
Geyman  
Bruggeman

COUNTY Ottawa DATE 2-19-64

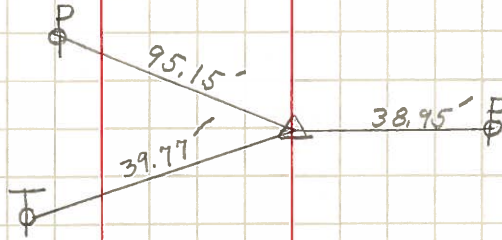
S. R. # 163 WEATHER

SEC. F 2 (pt.) TEMP.

DESCRIPTION LEFT CENTER LINE RIGHT JOB NO.

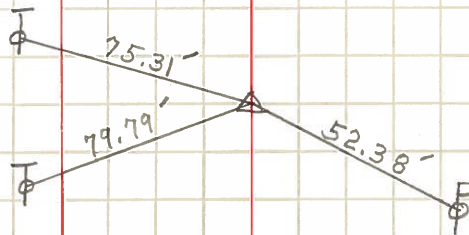
STA. 125+50.71  
R.R. Spike #28  
P.T.

82



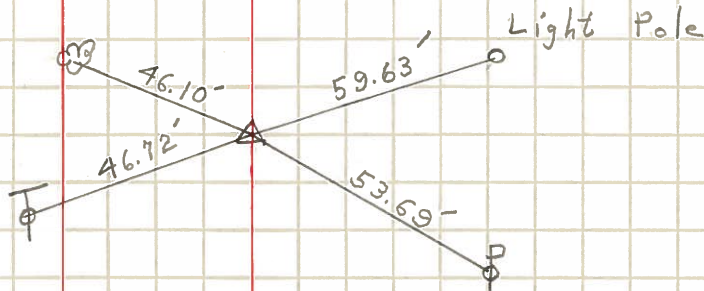
STA. 132+36.76  
R.R. Spike #29  
P.C.

83



STA. 134+26.78  
R.R. Spike #30  
P.I.

84



STA. 136+16.76  
R.R. Spike #35

85

