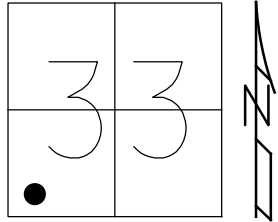


O.D.O.T. DISTRICT 2 SURVEY OFFICE (USE ONLY)

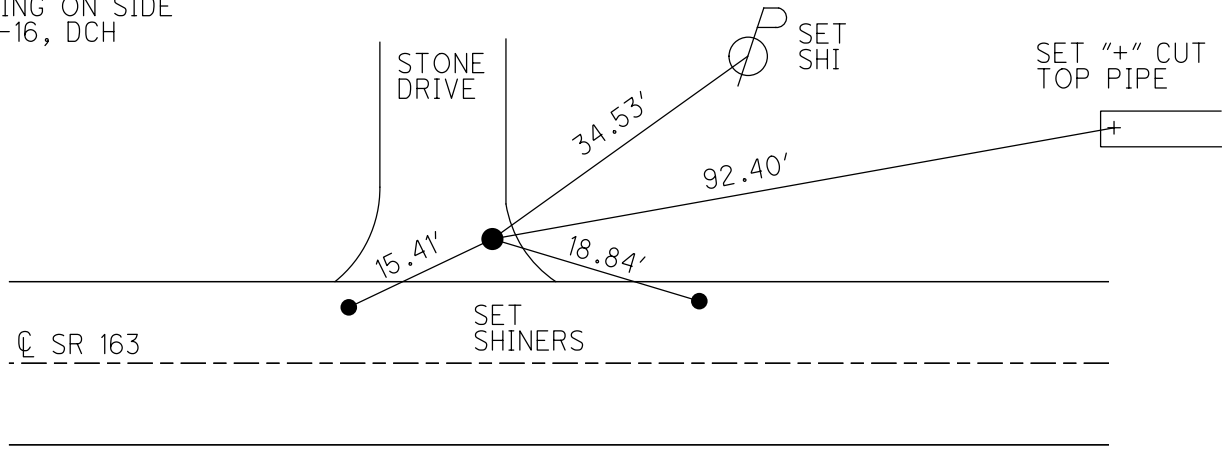
PERSONNEL \_\_\_\_\_ REFERENCE NO. 103 SHEET 73 OF 74  
 NOTES HUSS DATE 8-9-00 ROUTE SR 163  
 H.C. CORDES WEATHER CLOUDY, FAIR COUNTY OTTAWA  
 R.C. KARGEN TEMP. 79° TOWNSHIP ERIE  
 DWG BY JAMES PID 95757 SECTION 33  
 T 7 N R 16 E

TYPE MONUMENT 5/8" IPIN  
~~ON SURFACE~~ - BELOW BELOW  
 OFFSET  $\text{C}$  PAVEMENT 18' LT : ~~RT~~  
- TO - EDGE PAVEMENT  
 STATION: 1077+94



HORZ. DATUM: \_\_\_\_\_ GEOID: \_\_\_\_\_  
 GRID: NORTHING: \_\_\_\_\_ EASTING: \_\_\_\_\_

RECORD: P.I.  
 $\Delta = 12^\circ 1' \text{ RT}$   
 STA. 1021+52.3  
 FD 5/8" IPIN  
 8-9-00, SAH  
 SET P.K./WASHER  
 6-7-01, SAH  
 FD 5/8" REBAR  
 LAYING ON SIDE  
 5-5-16, DCH



# O.D.O.T. DISTRICT 2 SURVEY OFFICE

PERSONNEL

REFERENCE NO. 103

SHEET 62 OF 63

NOTES Huss

H.C. Condes

R.C. Kavgen

DATE 8-9-00

WEATHER Cldy-Fair

TEMP. +79°F

ROUTE SR-163

COUNTY Ottawa

TOWNSHIP Eric

SECTION 33

T 7 N R 16 E

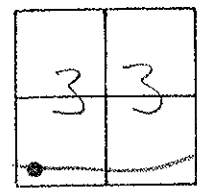
TYPE MONUMENT 5/8 Rod

~~ON SURFACE~~ - BELOW Below

LEFT - ~~C~~ PAV'T - RIGHT 18' 2"

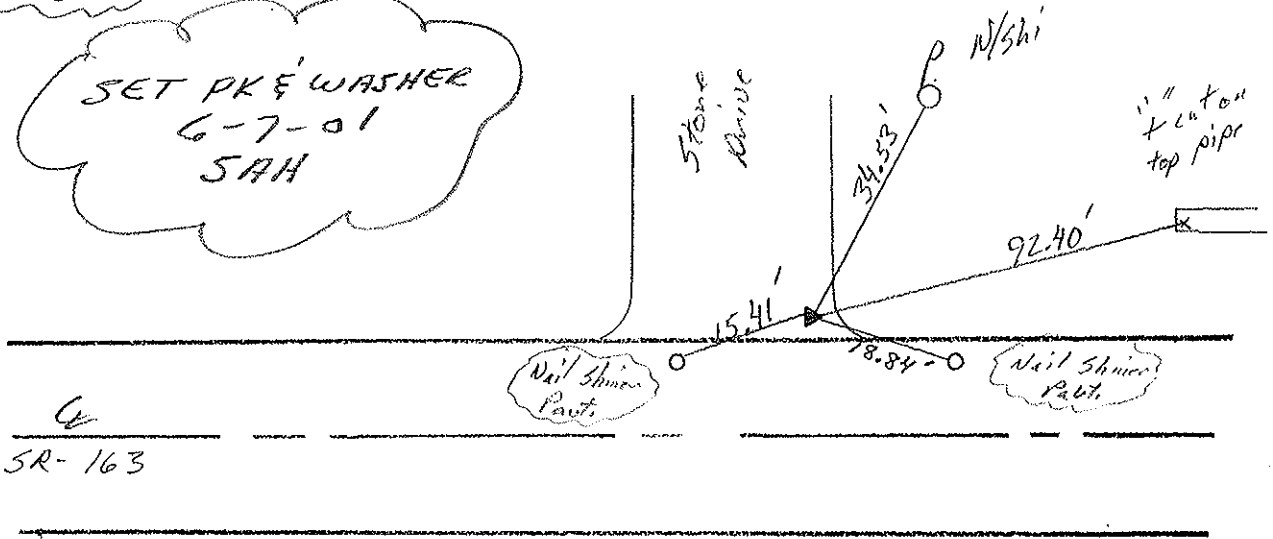
JO - EDGE PAVEMENT

S.L.M. Sta 1077+94



Record: PI  
 $\Delta = 12^\circ - 1' \text{ Rt}$   
1021 + 52.3

SET PK & WASHER  
 6-7-01  
 SAH



# O.D.O.T. DISTRICT 2 SURVEY OFFICE

PERSONNEL

REFERENCE NO. 103

SHEET 54 OF \_\_\_\_\_

NOTES RIPPLE

H.C. BARBOUR

DATE 9/28/90 <sup>DRAWN</sup> 1/09/91

ROUTE SR# 163

R.C. GEYMAN

WEATHER Cloudy

COUNTY OTTAWA

TEMP. 70°

TOWNSHIP ERIC

SECTION 33

T 7 N R 16 E

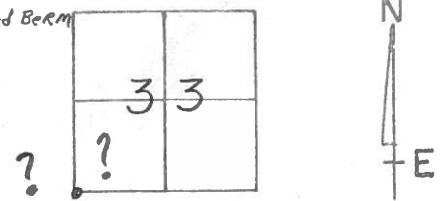
TYPE MONUMENT P.I. - Found 5/8" Rod - 4' off stabilized berm

ON SURFACE - BELOW \_\_\_\_\_

LEFT- & PAV'T. - RIGHT 18' LT. & PAV'T

TO \_\_\_\_\_ EDGE PAVEMENT

S.L.M. 1021 + 52.3



P.I.  
Δ = 12° 1' RT.

