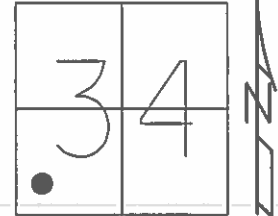


O.D.O.T. DISTRICT 2 SURVEY OFFICE (USE ONLY)

PERSONNEL _____ REFERENCE NO. 109 SHEET 2 OF 14
 NOTES CANTERBURY DATE 6/16/09 ROUTE SR 163
 H.C. HUSS WEATHER SUNNY COUNTY OTTAWA
 R.C. CANTERBURY TEMP. 75° TOWNSHIP ERIE
 _____ SECTION 34
 _____ T 7 N R 16 E

TYPE MONUMENT P.K./WASHER
 ON SURFACE - ~~BELOW~~ ON _____
 LEFT - ☉ PAV'T - ~~RIGHT~~ 2.0'
8.8' TO LT EDGE PAVEMENT
 S.L.M. 1144+20



GRID: NORTHING: 674954.808 EASTING: 1830218.415

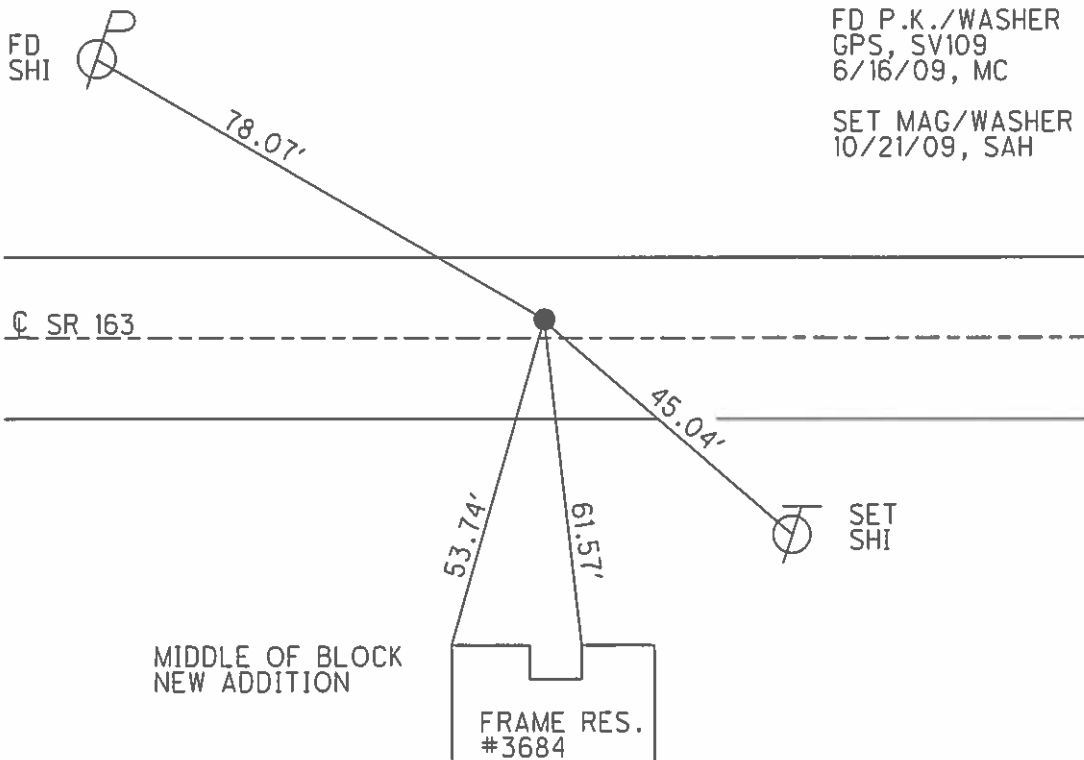
RECORD:
 STA. 153+29 PLAN
 FD P.K./WASHER
 9/11/95
 ATOP P.K./WASHER
 ATOP R.R.SPIKE

 FD P.K./WASHER
 8/2/95, MC

 SET P.K./WASHER
 6/8/96

 FD P.K./WASHER
 GPS, SV109
 6/16/09, MC

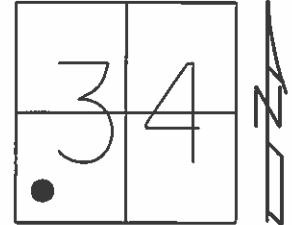
 SET MAG/WASHER
 10/21/09, SAH



O.D.O.T. DISTRICT 2 SURVEY OFFICE (USE ONLY)

PERSONNEL _____ REFERENCE NO. 109 SHEET 2 OF 14
 NOTES CANTERBURY DATE 6/16/09 ROUTE SR 163
 H.C. HUSS WEATHER SUNNY COUNTY OTTAWA
 R.C. CANTERBURY TEMP. 75° TOWNSHIP ERIE
 _____ SECTION 34
 _____ T 7 N R 16 E

TYPE MONUMENT P.K./WASHER
 ON SURFACE - ~~BELOW~~ ON
 LEFT - ☉ PAV'T - ~~RIGHT~~ 2.0'
8.8' TO LT EDGE PAVEMENT
 S.L.M. 1144+20, (153+29 PLAN)
 Grid: Northing: 674954.808 Easting: 1830218.415



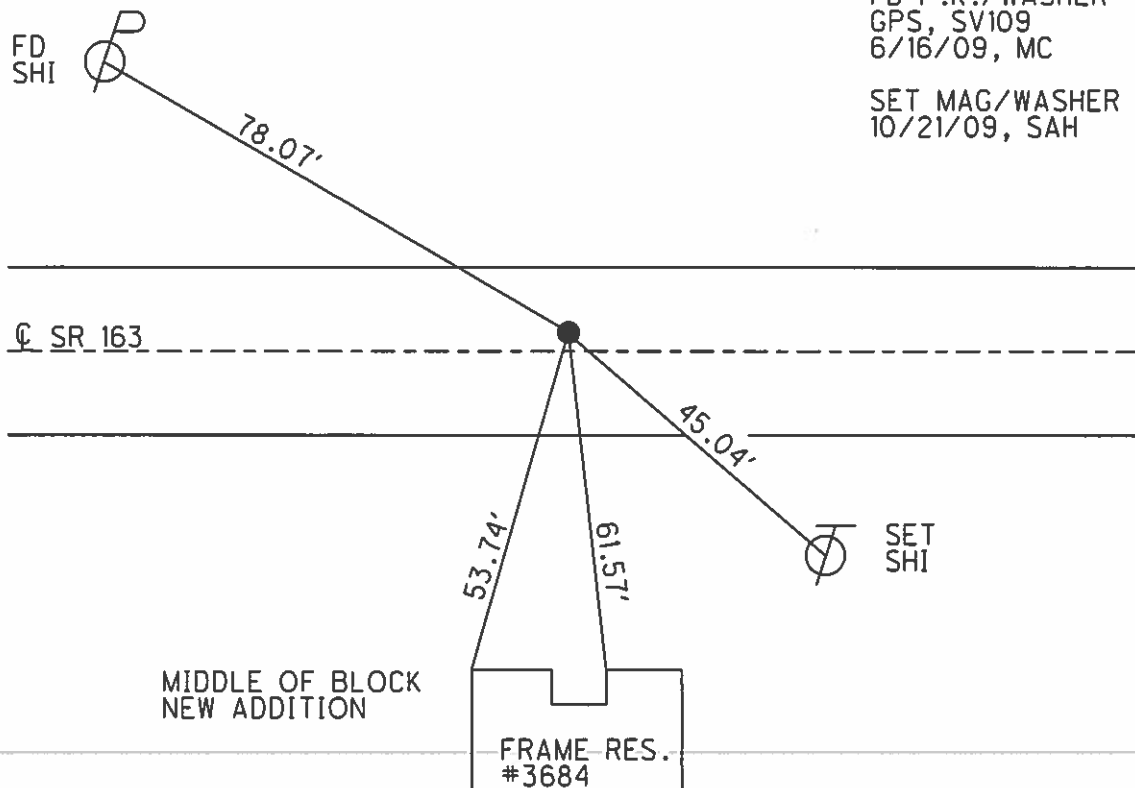
RECORD:
 FD P.K./WASHER
 9/11/95
 ATOP P.K./WASHER
 ATOP R.R.SPIKE

 FD P.K./WASHER
 8/2/95, MC

 SET P.K./WASHER
 6/8/96

 FD P.K./WASHER
 GPS, SV109
 6/16/09, MC

 SET MAG/WASHER
 10/21/09, SAH



O.D.O.T. DISTRICT 2 SURVEY OFFICE

PERSONNEL _____

REFERENCE NO. 109

SHEET 2 OF 16

NOTES ROUSOS

H.C. SLOVAK

R.C. CANTERBURY

DATE 8-2-95

WEATHER SUNNY

TEMP. 85°

ROUTE S.R. 163

COUNTY OTTAWA

TOWNSHIP ERIE

SECTION 34

T 7 N R 16 E

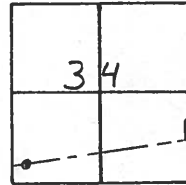
TYPE MONUMENT Reset PK & WASHER 6-18-96

ON SURFACE --BELOW-- ON SURFACE

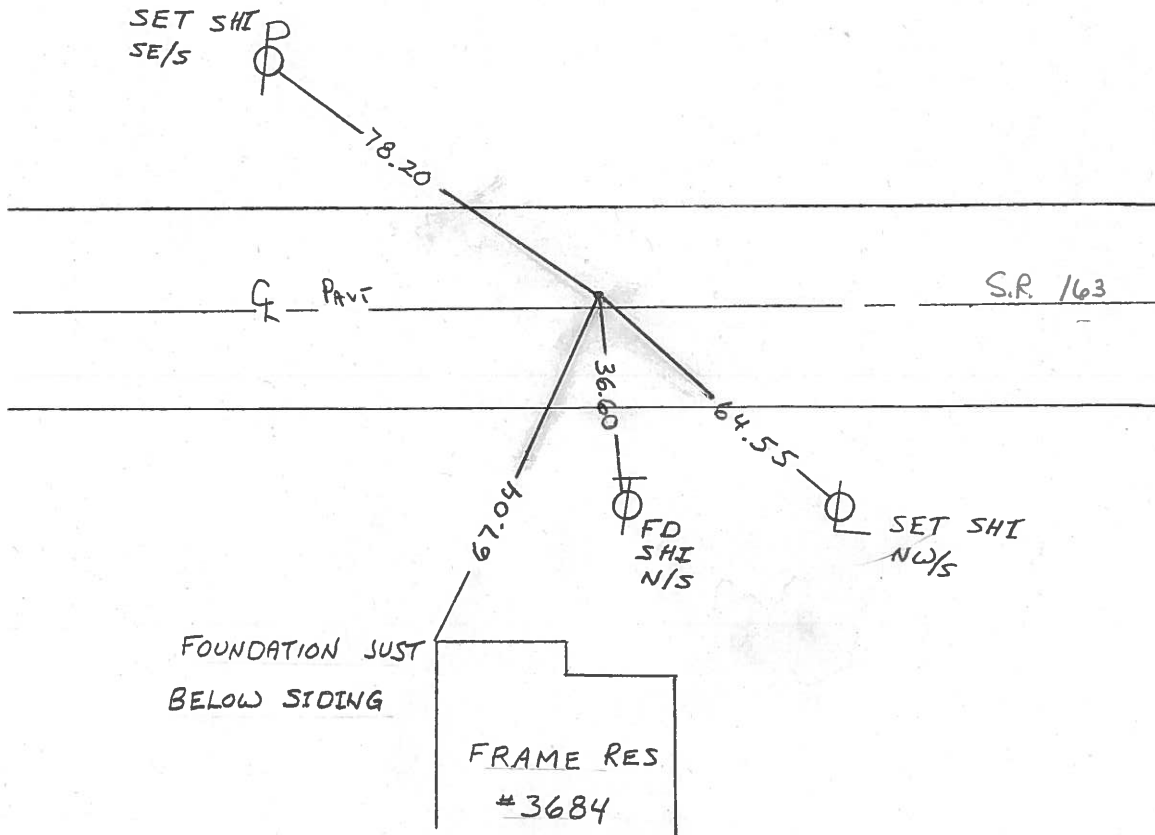
LEFT-☉ PAV'T. - RIGHT 2' LT ☉ PAVT

9.2' TO LEFT EDGE PAVEMENT

S.L.M. 1144 + 20



FD PK & WASHER ATOP PK & WASHER ATOP R.R. SPIKE
9/11/85



O.D.O.T. DISTRICT 2 SURVEY OFFICE

⑤

PERSONNEL _____

REFERENCE NO. 109

SHEET _____ OF _____

NOTES CROWIN

H.C. RIPPLE

R.C. BARBOUR

GEYMAN

DATE 9/11/85

WEATHER SUNNY

TEMP. 60°

ROUTE #163

COUNTY OTTAWA

TOWNSHIP ERIE

SECTION _____

T7 N R 16 E

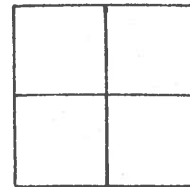
TYPE MONUMENT P.K. & WASHER ATOD P.K. & WASHER

ON SURFACE - BELOW A TOP R.R. SPIKE ON SURFACE

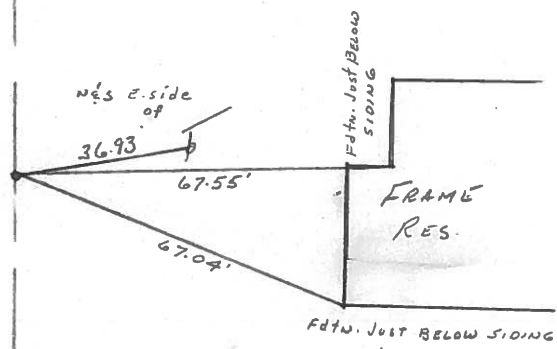
LEFT - ☉ PAV'T. - RIGHT 2' Lt. & Pav't

TO _____ EDGE PAVEMENT

S.L.M. _____

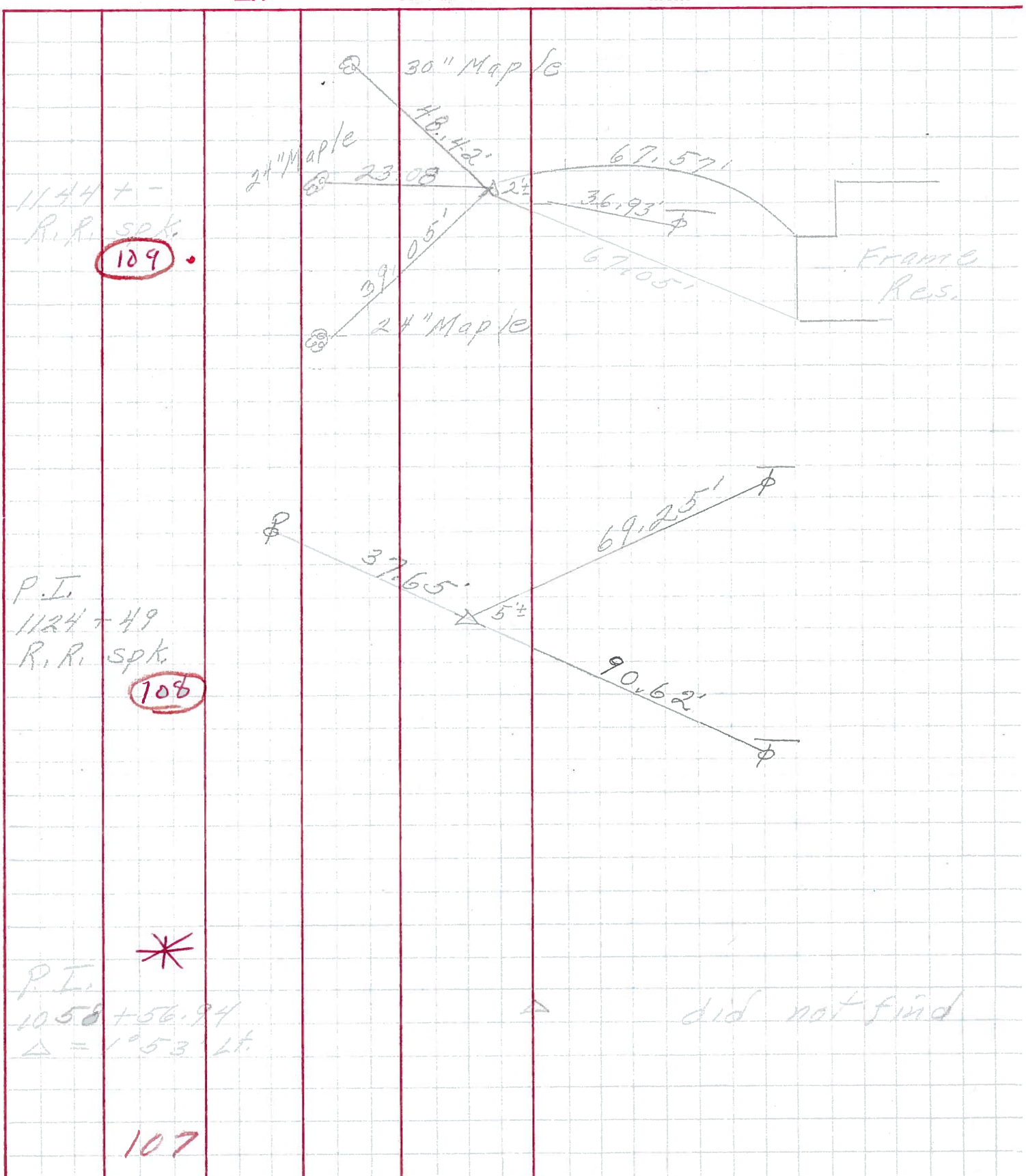


1144 ± ??



PERSONNEL	TITLE	PERSONNEL	TITLE
COUNTY <u>Ottawa</u> DATE <u>5-8-69</u>			
S. R. <u>163</u> WEATHER <u>Cloudy-windy</u>			
SEC. <u>33</u> TEMP. <u>60°</u>			

DESCRIPTION Erie Twp. JOB NO. _____



PERSONNEL	TITLE	PERSONNEL	TITLE	COUNTY	DATE
Schneider		Potts		Ottawa	9-3-68
Mosser				S. R. 163	WEATHER Fair
Barbour				SEC. Oak Harbor - East	TEMP. 80°
Relding					

DESCRIPTION Ties for Control Points JOB NO. _____

