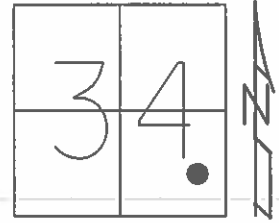


O.D.O.T. DISTRICT 2 SURVEY OFFICE (USE ONLY)

PERSONNEL _____ REFERENCE NO. 116 A SHEET 11 OF 14
 NOTES CANTERBURY DATE 6/16/09 ROUTE SR 163
 H.C. HUSS WEATHER CLOUDY COUNTY OTTAWA
 R.C. CANTERBURY TEMP. 77° TOWNSHIP ERIE
 _____ SECTION 34
 _____ T 7 N R 16 E

TYPE MONUMENT P.K.NAIL
 ON SURFACE - ~~BELOW~~ ON _____
 LEFT - ☉ PAV'T - ~~RIGHT~~ 3.7'
7.4' TO LT EDGE PAVEMENT
 S.L.M. 1175+56

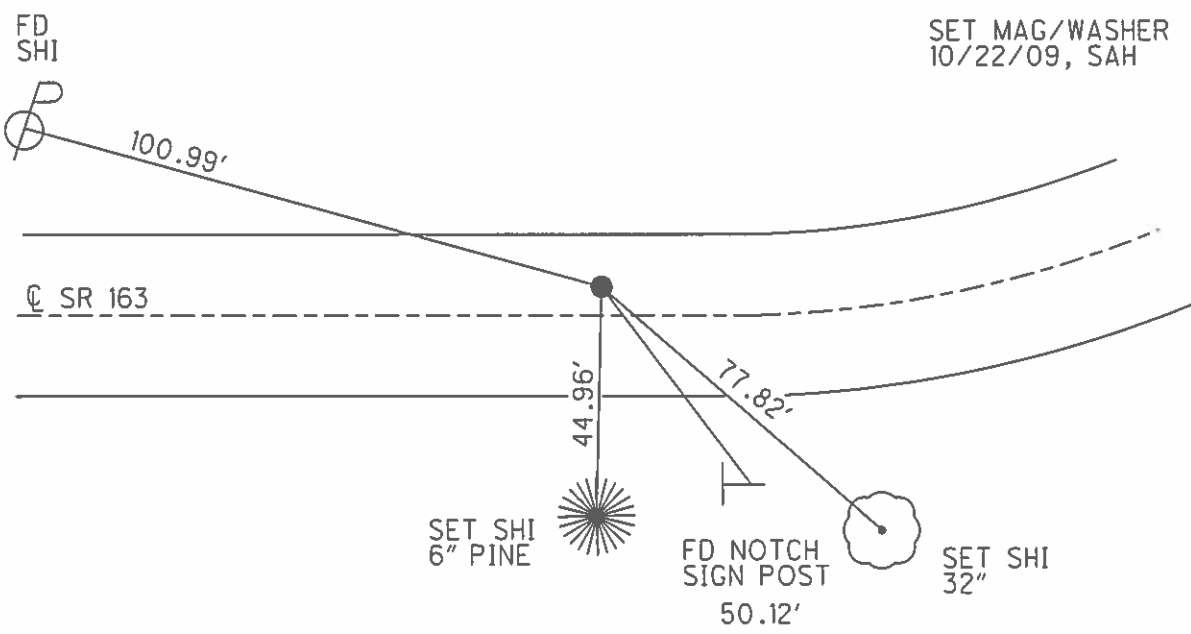


GRID: NORTHING: 675266.773 EASTING: 1833328.249

RECORD:
 STA. 184.55 PLAN
 FD P.K.NAIL
 ORIGIN UNKNOWN
 5/23/96, CL

 FD P.K.NAIL
 GPS, SV126
 6/16/09, MC

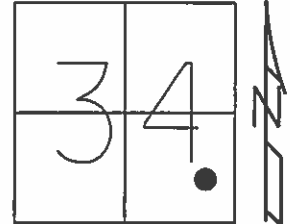
 SET MAG/WASHER
 10/22/09, SAH



O.D.O.T. DISTRICT 2 SURVEY OFFICE (USE ONLY)

PERSONNEL _____ REFERENCE NO. 116 A SHEET 11 OF 14
 NOTES CANTERBURY DATE 6/16/09 ROUTE SR 163
 H.C. HUSS WEATHER CLOUDY COUNTY OTTAWA
 R.C. CANTERBURY TEMP. 77° TOWNSHIP ERIE
 _____ SECTION 34
 _____ T 7 N R 16 E

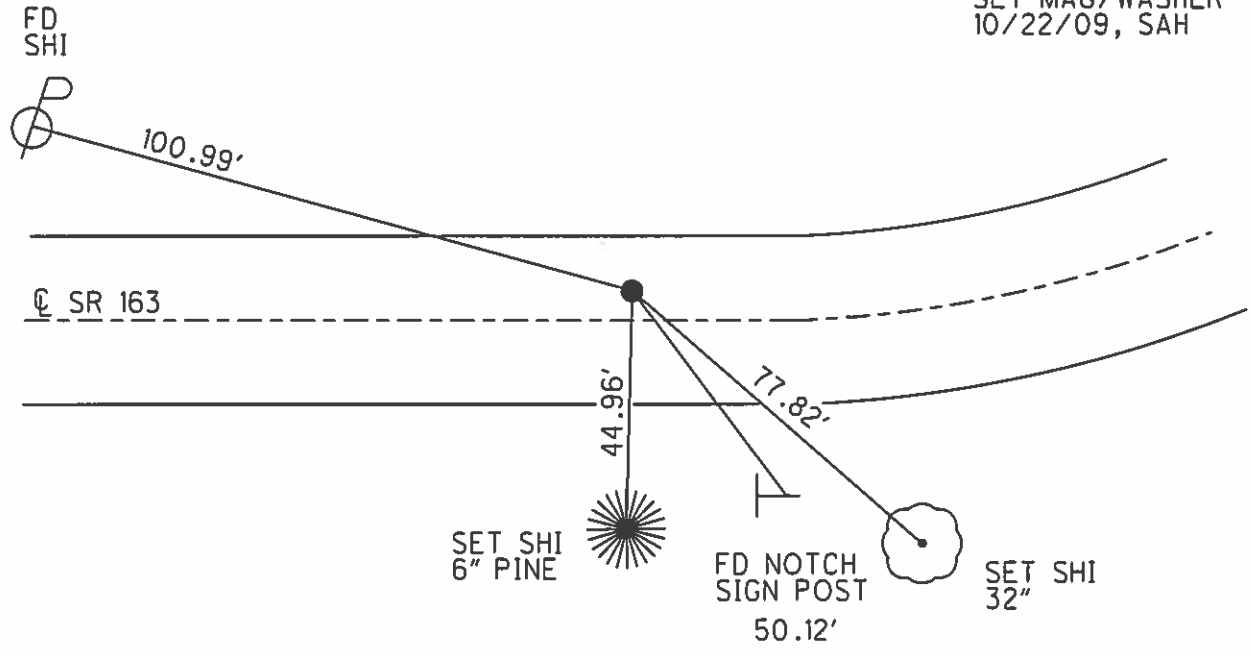
TYPE MONUMENT P.K.NAIL
 ON SURFACE - ~~BELOW~~ ON _____
 LEFT - ☉ PAV'T - ~~RIGHT~~ 3.7'
7.4' TO LT EDGE PAVEMENT
 S.L.M. 1175+56, (184+55 PLAN)
 Grid: Northing: 675266.773 Easting: 1833328.249



RECORD:
 FD P.K.NAIL
 ORIGIN UNKNOWN
 5/23/96, CL

 FD P.K.NAIL
 GPS, SV126
 6/16/09, MC

 SET MAG/WASHER
 10/22/09, SAH



O.D.O.T. DISTRICT 2 SURVEY OFFICE

PERSONNEL _____

REFERENCE NO. 116-A

SHEET 10 OF 16

NOTES LOHRKE

H.C. Rousos

R.C. CANTERBURY

DATE 5-23-56

WEATHER Cloudy

TEMP. +70

ROUTE S.R. 163

COUNTY OTTAWA

TOWNSHIP ERIE

SECTION 34

T 7 N R 16 E

TYPE MONUMENT 2 P.K NAILS - ORIGINAL UNK.

ON SURFACE - BELOW yes

LEFT - 0 PAV'T. - RIGHT 7.7 & 4.1

TO EDGE PAVEMENT

S.L.M. 1175+56

