

O.D.O.T. DISTRICT 2 SURVEY OFFICE (USE ONLY)

PERSONNEL

REFERENCE NO. 127 D

SHEET 1 OF 17

NOTES RHOADES

DATE 9/30/20

ROUTE SR 163

H.C. AUBLE

WEATHER CLOUDY

COUNTY OTTAWA

R.C. O'DONNELL

TEMP. 54°

TOWNSHIP PORTAGE

SECTION 33

DWG BY NIESE PID 107919_P

T 7 N R 17 E

TYPE MONUMENT P.K. SHANK/WASHER

ON SURFACE - ~~BELOW~~ ON

OFFSET ϕ PAVEMENT 4.5' ~~LT~~ : RT

7.0' TO RT EDGE PAVEMENT

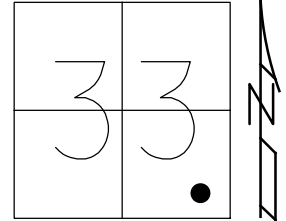
STATION: 1458+92.00

HORZ.DATUM: NAD83(2011)

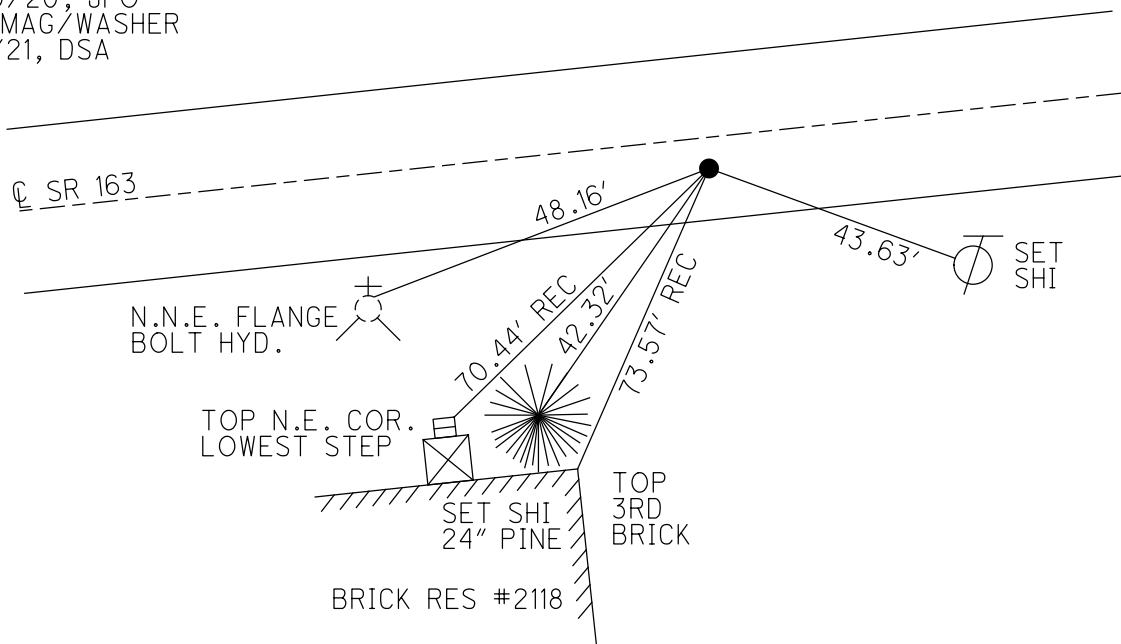
GEOID: NAVD88 2012A

GRID: NORTHING: 674183.429

EASTING: 1859596.504



RECORD: P.I.
 $\Delta = 4^\circ 22' LT$
 STA. 58+17.80
 9/16/85
 FD P.K./WASHER
 6/8/93, JLR
 SET P.K./WASHER
 7/13/93, JLR
 FD P.K./WASHER
 11/9/00
 FD P.K. NAIL
 REFD127
 9/17/18, JFO
 FD P.K. SHANK/WASHER
 9/30/20, JFO
 SET MAG/WASHER
 9/7/21, DSA



O.D.O.T. DISTRICT 2 SURVEY OFFICE (USE ONLY)

PERSONNEL

REFERENCE NO. 127 D SHEET 1 OF 18

NOTES CHENEY

DATE 6/08/93

ROUTE SR 163

H.C. RIPPLE

WEATHER CLOUDY

COUNTY OTTAWA

R.C. BARBOUR

TEMP. 80°

TOWNSHIP PORTAGE

GEYMAN

SECTION 33

T 7 N R 17 E

TYPE MONUMENT P.K./WASHER

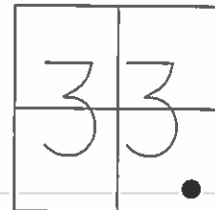
ON SURFACE - ~~BELOW~~ ON

~~LEFT~~ - CL PAV'T - RIGHT 4.5'

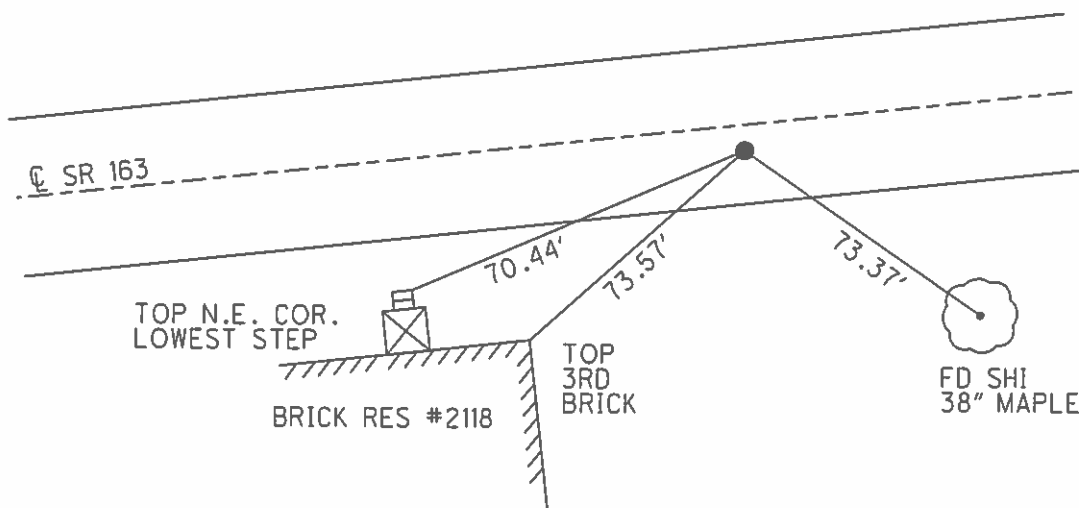
7' TO RT EDGE PAVEMENT

S.L.M. 1461+15

GRID: NORTHING: - EASTING: -



RECORD: P.I.
Δ = 4° 22' LT
STA. 58+17.80
9/16/85
SET P.K./WASHER
7/13/93, JLR

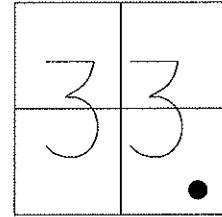


PREVENTIVE MAINTENANCE
MICROSURFACED 2000
EXISTING POINT UNCOVERED
DATE: 11/9/2000

O.D.O.T. DISTRICT 2 SURVEY OFFICE (Use Only)

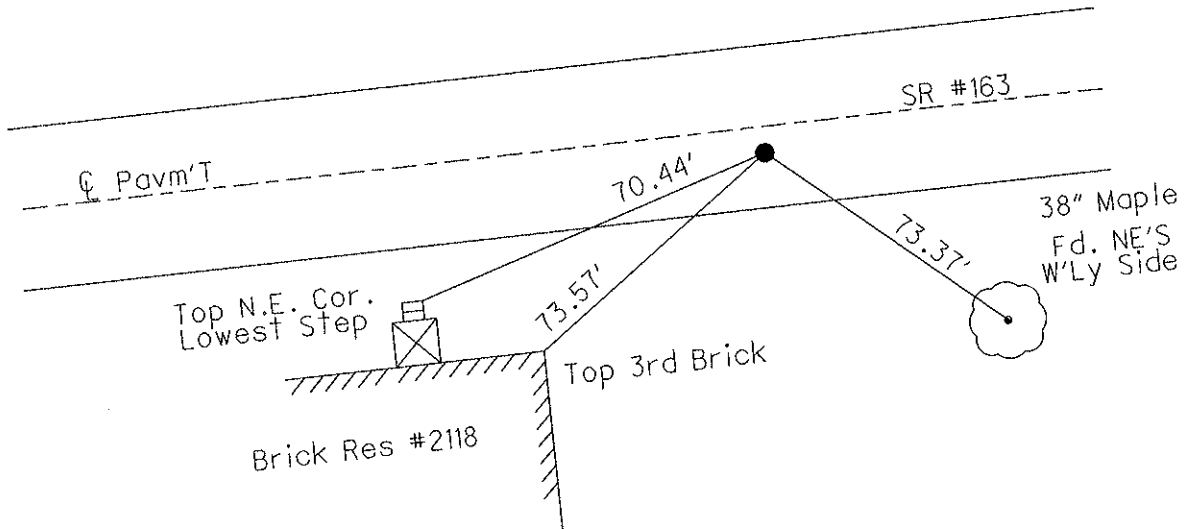
PERSONNEL _____ REFERENCE NO. 127 D SHEET 1 OF 18
 NOTES Cheney DATE 6-08-1993 ROUTE SR 163
 H.C. Ripple WEATHER Cloudy COUNTY OTTAWA
 R.C. Barbour TEMP. 80° TOWNSHIP PORTAGE
 _____ Geyman _____ SECTION 33
 _____ T 7 N R 17 E

TYPE MONUMENT Fd. P.K. and Washer
 ON SURFACE - ~~BELOW~~ On Surface
~~LEFT~~ - C/P AV'T - RIGHT 4.5'
7' TO RT. EDGE PAVEMENT
 S.L.M. 1461+15
 Grid: Northing: _____ Easting: _____



Record: 9-16-1985
 P.I.Δ = 04°22'-LT. Rec.
 58+17.80

Note: Set P.K and Washer
 7-13-1993 J.L.R



Preventive Maintenance
 Microsurfaced 2000
 Existing Point Uncovered
 Date: 11-9-2000

O.D.O.T. DISTRICT 2 SURVEY OFFICE

1 of

PERSONNEL

REFERENCE NO. 127D

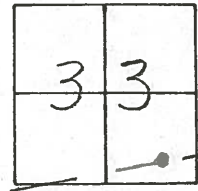
SHEET 5 OF 23

NOTES CHENEY
 H.C. RIPPLE
 R.C. BARBOUR
GEYMAN

DATE 6-08-1993
 WEATHER Cloudy
 TEMP. 80°

ROUTE SR#163
 COUNTY OTTAWA
 TOWNSHIP Portage
 SECTION 33
T7 N R 17 E

TYPE MONUMENT Fd. P.K. Washer
 ON SURFACE - ~~BELOW~~ ON
~~LEFT - & PAV'T. - RIGHT~~ 4.5'
7' TO RT. EDGE PAVEMENT
 S.L.M. 1461+15

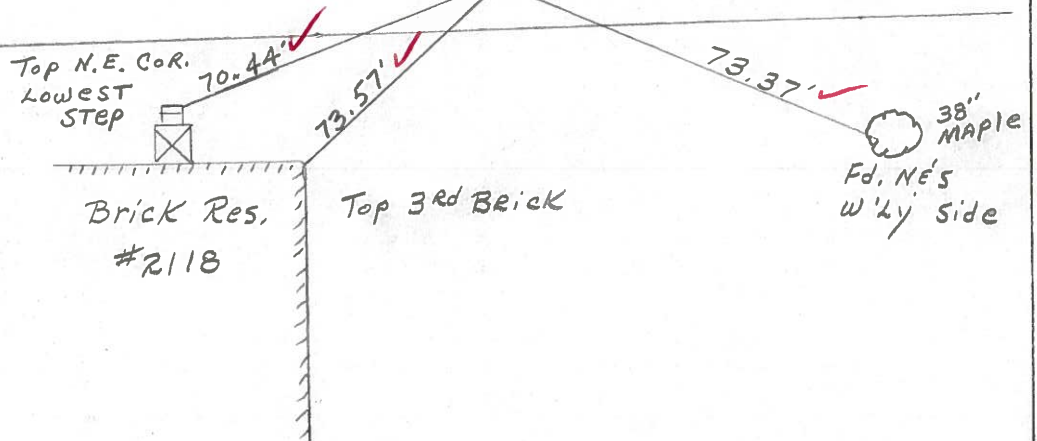


Record: 9-16-1985
P.I. Δ = 04° 22' - LT. Rec.
58+17.80

NOTE: SET P.K. WASHER
7-13-1993 J.L.R.

PAV'T.

SR#163



Preventive Maintenance
 Microsurfaced 2000
 Existing Point Uncovered
 Date 11-9-2000

O.D.O.T. DISTRICT 2 SURVEY OFFICE

PERSONNEL _____

REFERENCE NO. _____

SHEET 5 OF _____

NOTES CEONIN

H.C. RIPPLE

R.C. BARBOUR

GEYMAN

DATE 9/16/85

WEATHER SUNNY

TEMP. 60°

ROUTE # 163

COUNTY Ottawa

TOWNSHIP Portage

SECTION 33

T 7 N R 17 E

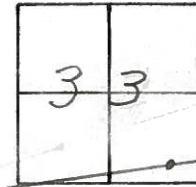
TYPE MONUMENT P.K. WASHER AT TOP P.K. WASHER

ON SURFACE - BELOW ON SURFACE

LEFT - CL. PAV'T. - RIGHT 4' RT. E PAV'T.

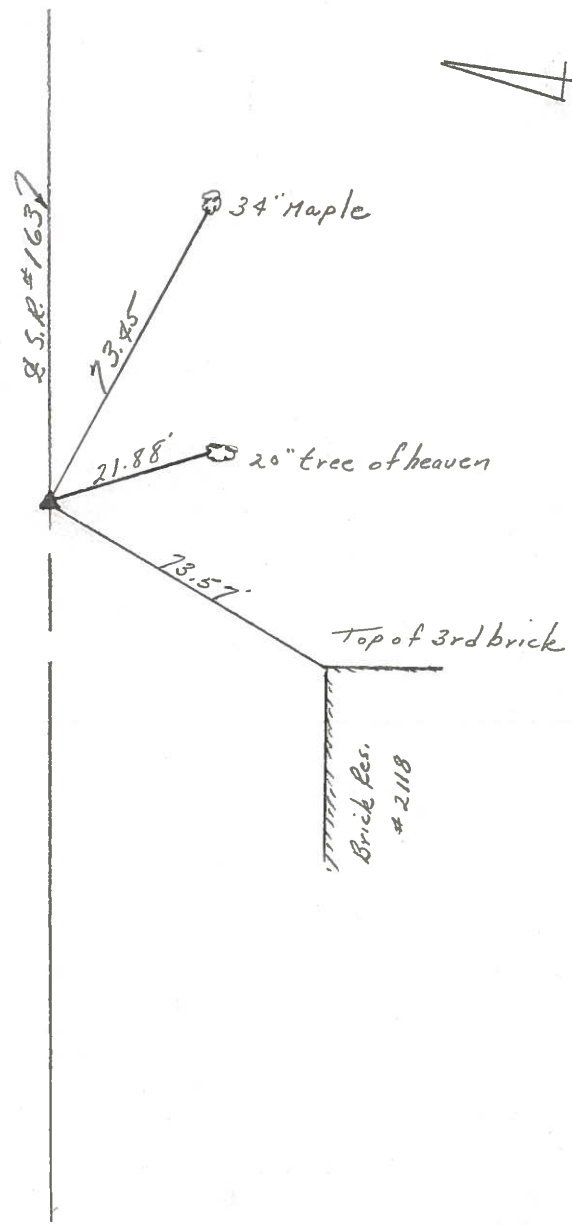
TO _____ EDGE PAVEMENT

S.L.M. _____



127D

P.I. A = 04°22' LT. Rec.
58+17.80



PERSONNEL TITLE PERSONNEL TITLE

Schneider

COUNTY Ottawa

DATE 3-2-70

Mosser

S. R. 163

WEATHER Cloudy

Potts

SEC. Port Clinton-East

TEMP. 35°

DESCRIPTION

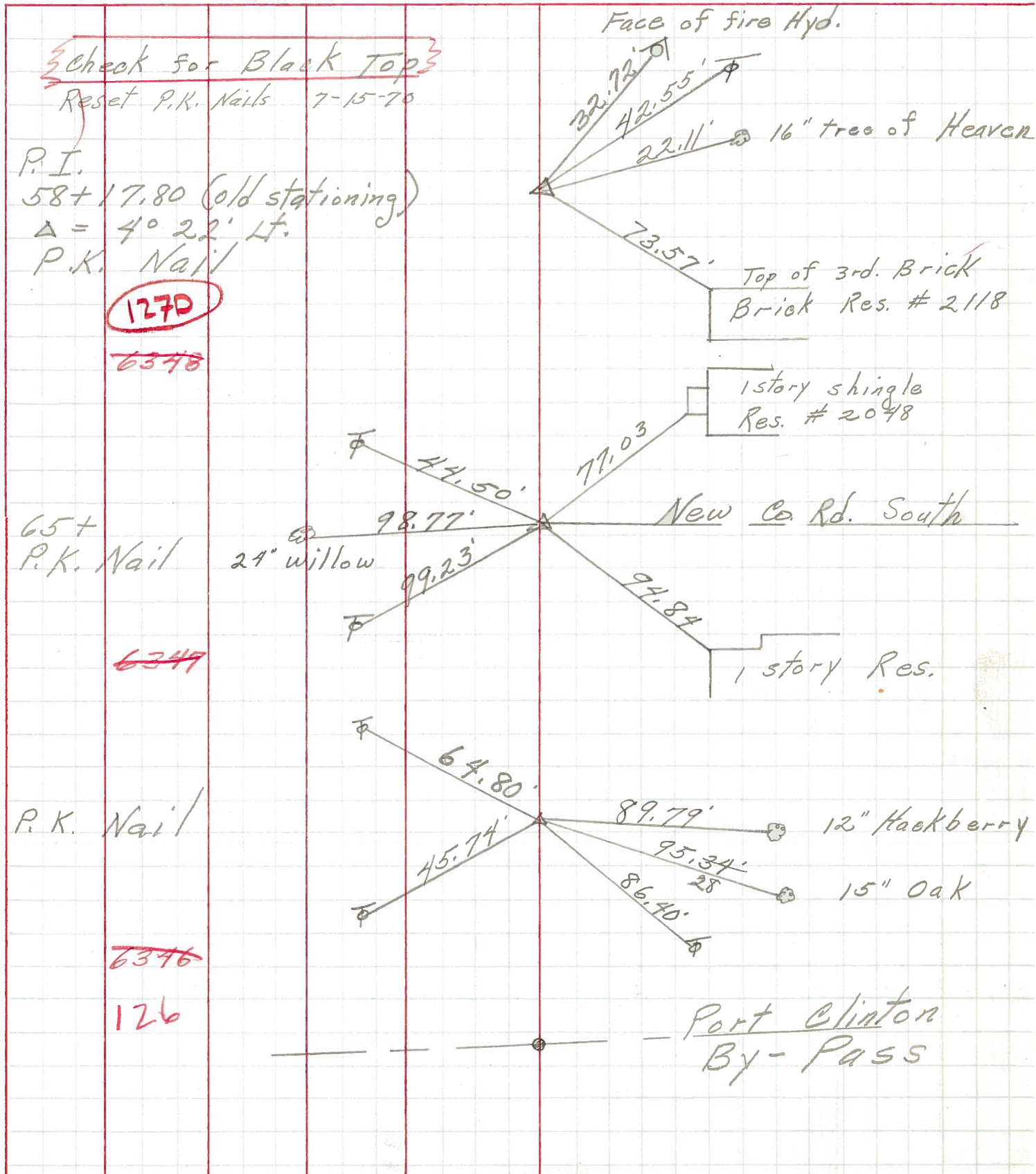
Ties for Control Points

JOB NO.

LEFT

CENTER LINE

RIGHT



Check for Black Top

Reset P.K. Nails 7-15-70

P.I.
58+17.80 (old stationing)
Δ = 4° 22' Lt.
P.K. Nail

1270

6348

65+
P.K. Nail

24" willow

6349

P.K. Nail

6346

126

Face of fire Hyd.

16" tree of Heaven

Top of 3rd. Brick
Brick Res. # 2118

1 story shingle
Res. # 2048

New Co. Rd. South

1 story Res.

12" Hackberry

15" Oak

Port Clinton
By-Pass

PERSONNEL TITLE PERSONNEL TITLE COUNTY Ottawa DATE 9-4-68
Schneider _____ Potts _____
Mosser _____ S. R. 163 WEATHER Fair
Barbour _____
Redding _____ SEC. Port Clinton-East TEMP. 70'
 DESCRIPTION Ties for Conto Points JOB NO. _____

