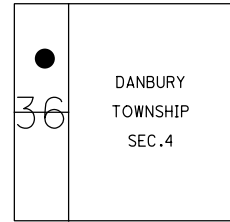


O.D.O.T. DISTRICT 2 SURVEY OFFICE (USE ONLY)

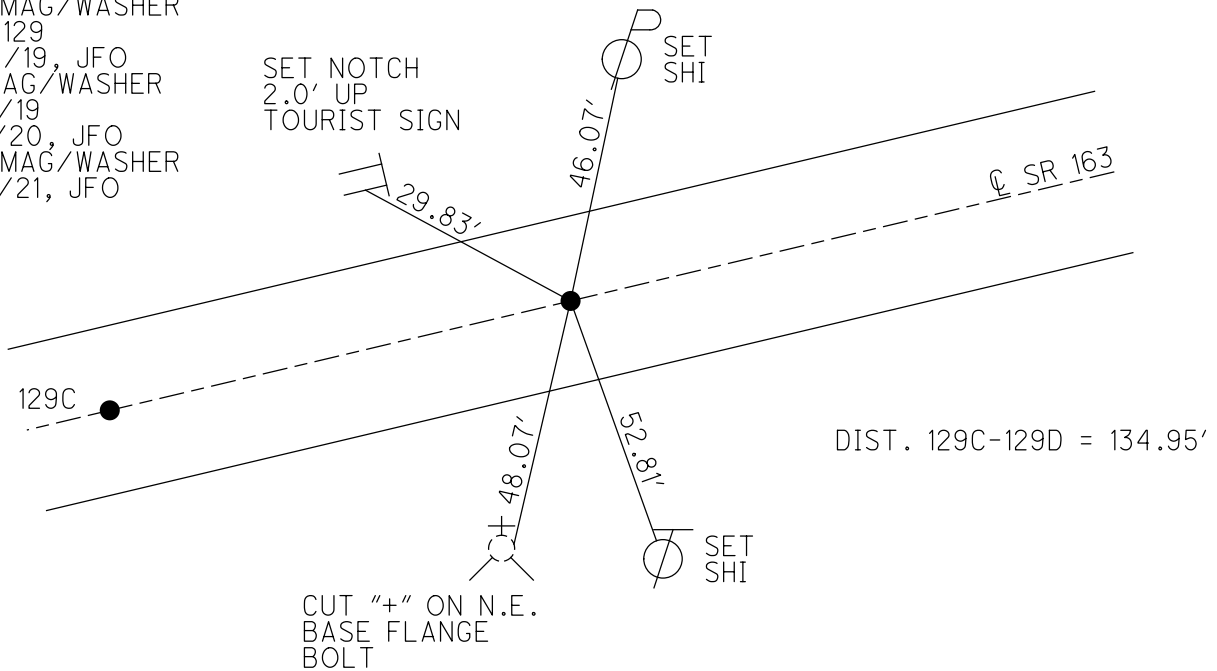
PERSONNEL \_\_\_\_\_ REFERENCE NO. 129 D SHEET 17 OF 18  
 NOTES RHOADES DATE 10/1/20 ROUTE SR 163  
 H.C. AUBLE WEATHER SUNNY COUNTY OTTAWA  
 R.C. O'DONNELL TEMP. 50° TOWNSHIP PORTAGE  
 DWG BY NIESE PID 107919 SECTION 36  
 T 7 N R 17 E

TYPE MONUMENT MAG/WASHER  
~~ON SURFACE~~ - BELOW 1"  
 OFFSET  $\odot$  PAVEMENT ON LT : RT  
11.0' TO RT EDGE PAVEMENT  
 STATION: 1589+46



HORIZ. DATUM: NAD83(2011) GEOID: NAVD88 2012A  
 GRID: NORTHING: 677695.973 EASTING: 1871754.010

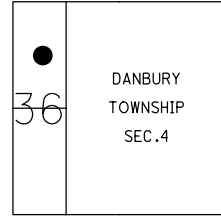
RECORD: P.C.  
 STA. 186+46.15  
 P.K./WASHER  
 ATOP P.K./WASHER  
 9/16/85  
 FD P.K./WASHER  
 6/10/93, JLR  
 SET P.K./WASHER  
 7/13/93, JLR  
 FD P.K./WASHER  
 11/9/00  
 9/6/11. DCH  
 SET MAG/WASHER  
 REFD129  
 4/24/19, JFO  
 FD MAG/WASHER  
 9/13/19  
 10/1/20, JFO  
 SET MAG/WASHER  
 9/13/21, JFO



O.D.O.T. DISTRICT 2 SURVEY OFFICE (USE ONLY)

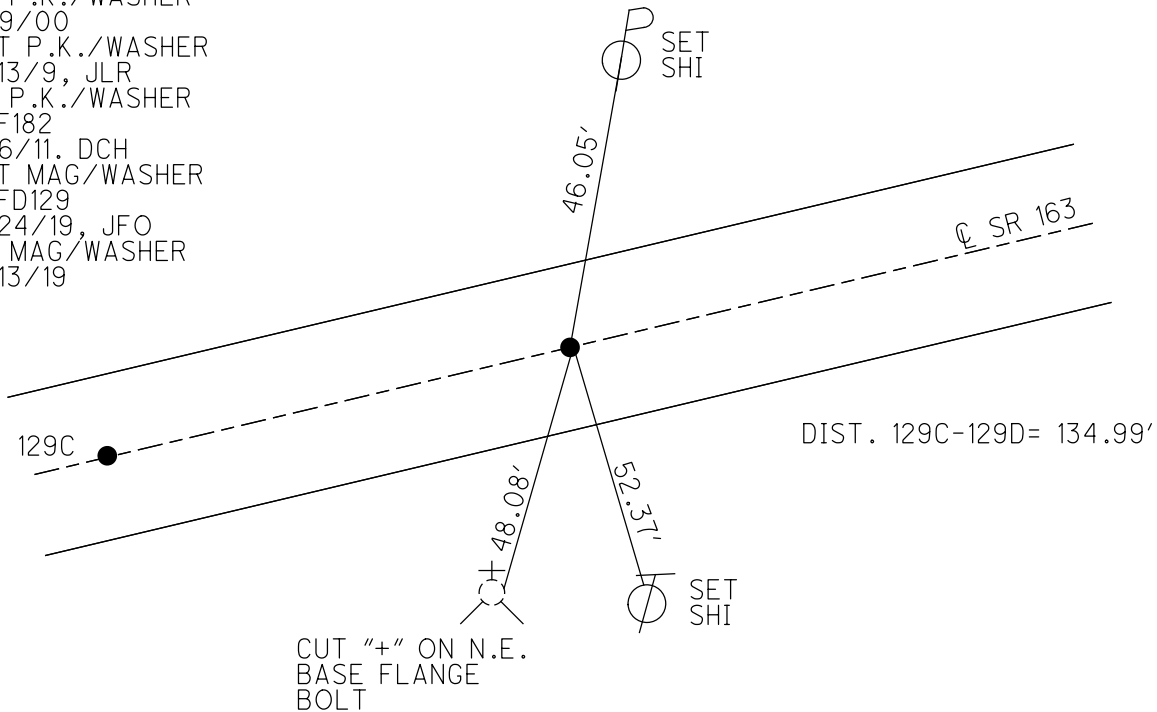
PERSONNEL \_\_\_\_\_ REFERENCE NO. 129 D SHEET 16 OF 17  
 NOTES CHENEY DATE 6/10/93 ROUTE SR 163  
 H.C. RIPPLE WEATHER CLOUDY COUNTY OTTAWA  
 R.C. BARBOUR TEMP. 80° TOWNSHIP PORTAGE  
GEYMAN SECTION 36  
 DWG BY NIESE PID 107060 T 7 N R 17 E

TYPE MONUMENT P.K./WASHER  
 ON SURFACE - ~~BELOW~~ ON  
 OFFSET  $\varnothing$  PAVEMENT ON LT : RT  
11.0' TO RT EDGE PAVEMENT  
 STATION: 1589+46



HORZ. DATUM: NAD83(2011) GEOID: 2012A  
 GRID: NORTHING: 677695.973 EASTING: 1871754.010

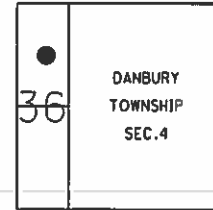
RECORD: P.C.  
 STA. 186+46.15  
 P.K./WASHER  
 ATOP P.K./WASHER  
 9/16/85  
 FD P.K./WASHER  
 11/9/00  
 SET P.K./WASHER  
 7/13/9, JLR  
 FD P.K./WASHER  
 REF182  
 9/6/11, DCH  
 SET MAG/WASHER  
 REFD129  
 4/24/19, JFO  
 FD MAG/WASHER  
 9/13/19



**O.D.O.T. DISTRICT 2 SURVEY OFFICE (USE ONLY)**

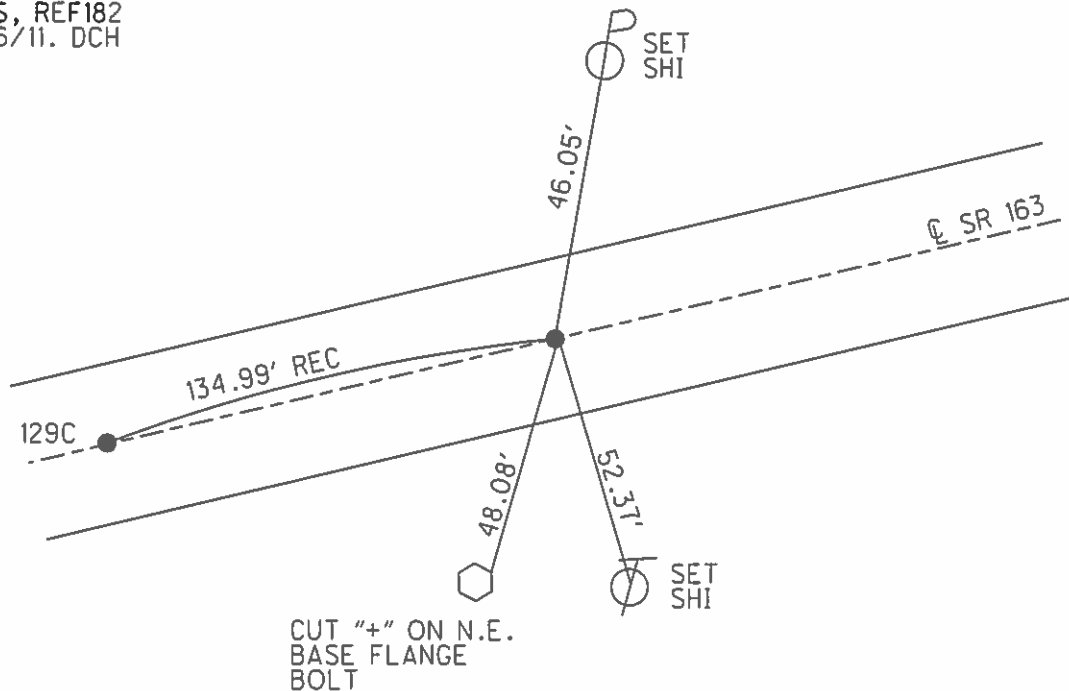
PERSONNEL \_\_\_\_\_ REFERENCE NO. 129 D SHEET 17 OF 18  
 NOTES CHENEY DATE 6/10/93 ROUTE SR 163  
 H.C. RIPPLE WEATHER CLOUDY COUNTY OTTAWA  
 R.C. BARBOUR TEMP. 80° TOWNSHIP PORTAGE  
 \_\_\_\_\_ GEYMAN \_\_\_\_\_ SECTION 36  
 \_\_\_\_\_ T 7 N R 17 E

TYPE MONUMENT P.K./WASHER  
 ON SURFACE - ~~BELOW~~ \_\_\_\_\_ ON \_\_\_\_\_  
~~LEFT~~ - ℄ PAV'T - ~~RIGHT~~ \_\_\_\_\_ ON \_\_\_\_\_  
11' TO RT EDGE PAVEMENT  
 S.L.M. \_\_\_\_\_ 1589+46



GRID: NORTHING: 677695.872 EASTING: 1871754.009

RECORD: P.C.  
 STA. 186+46.15  
 P.K./WASHER ATOP  
 P.K./WASHER  
 9/16/85  
 SET P.K./WASHER  
 7/13/9, JLR  
 FD P.K./WASHER  
 GPS, REF182  
 9/6/11. DCH



PREVENTIVE MAINTENANCE  
 MICROSURFACED 2000  
 EXISTING POINT UNCOVERED  
 DATE: 11/9/2000

O.D.O.T. DISTRICT 2 SURVEY OFFICE (USE ONLY)

PERSONNEL

REFERENCE NO. 129 D

SHEET 17 OF 18

NOTES CHENEY

DATE 6-10-1993

ROUTE SR 163

H.C. RIPPLE

WEATHER CLOUDY

COUNTY OTTAWA

R.C. BARBOUR

TEMP. 80°

TOWNSHIP PORTAGE

GEYMAN

SECTION 36

T 7 N R 17 E

TYPE MONUMENT FD. P.K. AND WASHER

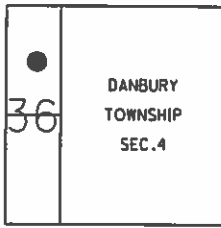
ON SURFACE - ~~BELOW~~ ON

LEFT - ☉ PAV'T - RIGHT ON

11' TO RT. EDGE PAVEMENT

S.L.M. 1589+46

GRID: NORTHING: 677695.872 EASTING: 1871754.009

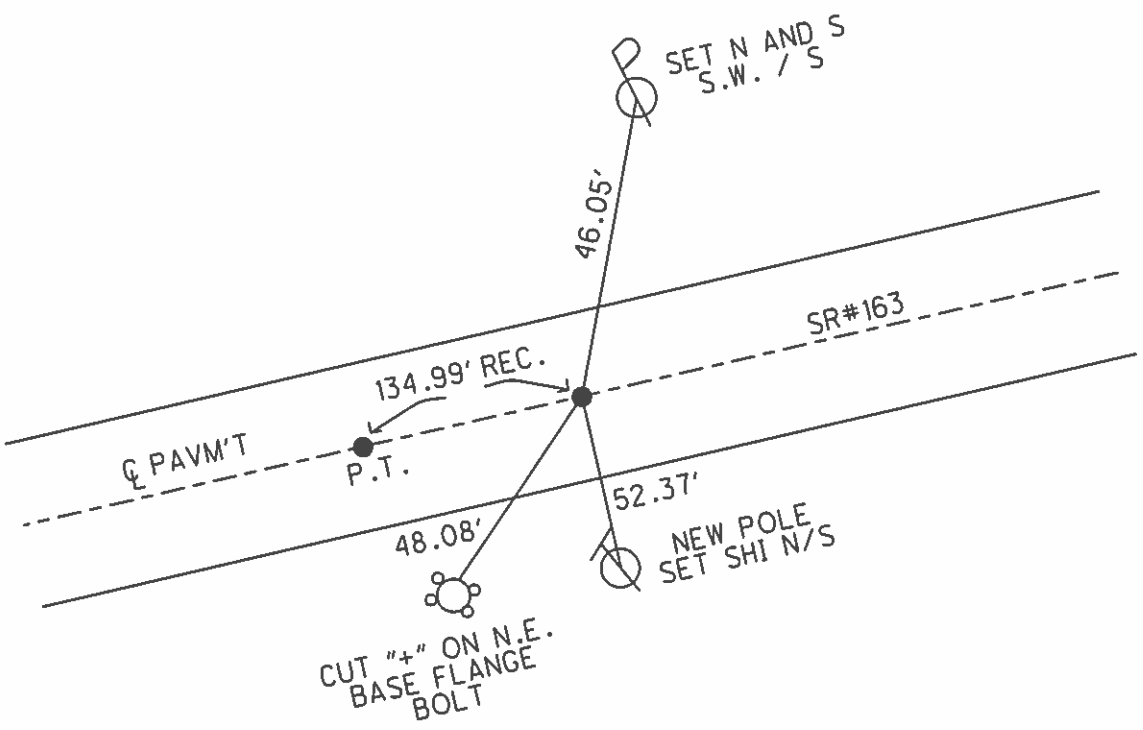


RECORD: 9-16-1985

P.C. 186+46.15

P.K. AND WASHER ATOP P.K. AND WASHER

NOTE:  
 SET P.K. AND WASHER  
 7-13-1993 J.L.R.  
 FD P.K./WASHER  
 GPS, REF182  
 9/6/11, DCH



PREVENTIVE MAINTENANCE  
 MICROSURFACED 2000  
 EXISTING POINT UNCOVERED  
 DATE: 11-9-2000

O.D.O.T. DISTRICT 2 SURVEY OFFICE

PERSONNEL

REFERENCE NO. 129 D

SHEET 20 OF 23

NOTES CHENEY

H.C. RIPPLE

DATE 6-10-1993

ROUTE S.R.#163

R.C. BARBOUR

WEATHER Cloudy

COUNTY OTTAWA

GEYMAN

TEMP. 80°

TOWNSHIP Portage

SECTION 36

T7 N R 17 E

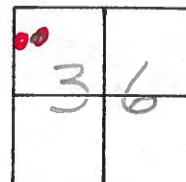
TYPE MONUMENT Fd. P.K. & WASHER

ON SURFACE - BELOW ON SURFACE

LEFT- & PAV'T. - RIGHT & PAV'T.

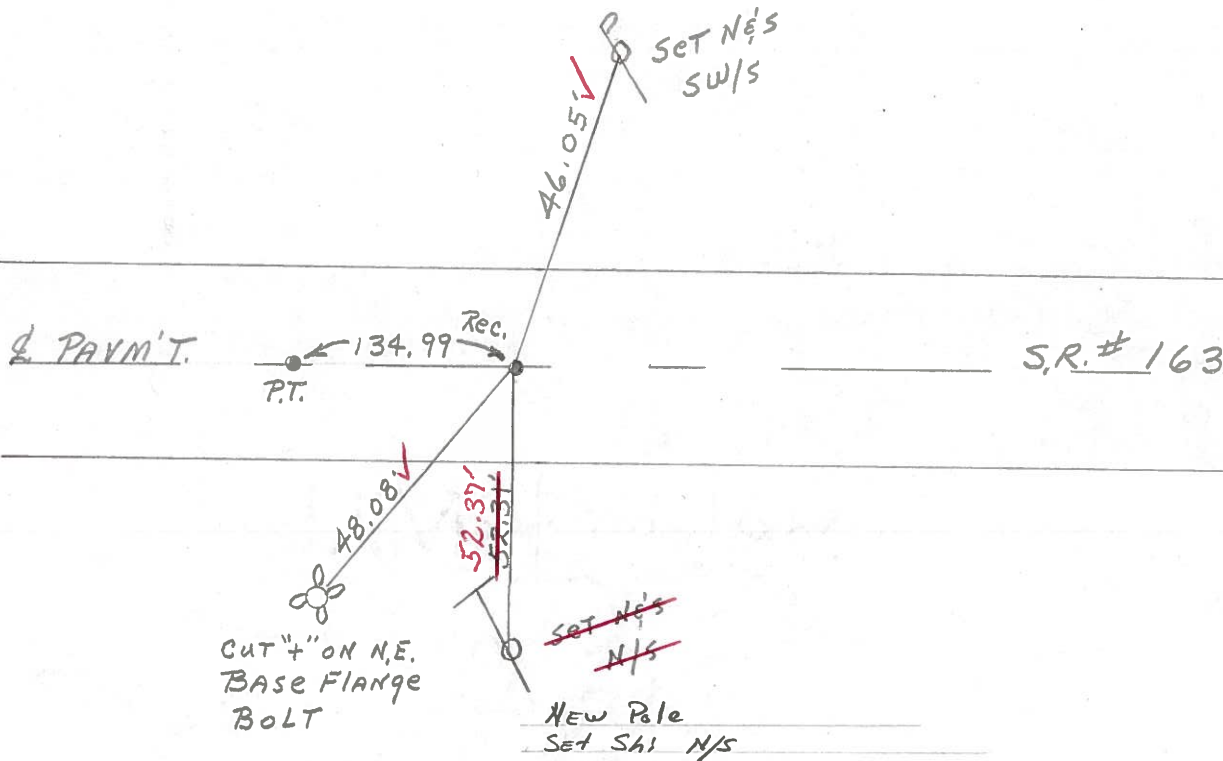
11' TO RT. EDGE PAVEMENT

S.L.M. 1589+46



RECORD: 9-16-1985  
P.C. 186+46.15  
P.K. & WASHER ATOP P.K. & WASHER

NOTE: Set PK & Washer  
7-14-1993 JLR.



Preventive Maintenance  
 Microsurfaced 2000  
 Existing Point Uncovered  
 Date 11-9-2000

O.D.O.T. DISTRICT 2 SURVEY OFFICE

PERSONNEL

NOTES CROWIN  
H.C. RIPPLE  
R.C. BARBOUR  
GEYMAN

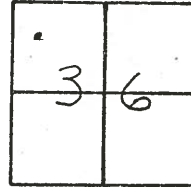
REFERENCE NO. \_\_\_\_\_

SHEET 20 OF \_\_\_\_\_

DATE 9/16/85  
WEATHER SUNNY  
TEMP. 75°

ROUTE #163  
COUNTY OTTAWA  
TOWNSHIP PORTAGE  
SECTION 36  
T 7 N R 17 E

TYPE MONUMENT P.K. WASHER AT P.K. WASHER  
ON SURFACE - BELOW ON SURFACE  
LEFT - & PAW'T. - RIGHT & PAW'T.  
\_\_\_\_ TO \_\_\_\_ EDGE PAVEMENT  
S.L.M. \_\_\_\_\_



129D



P.C.  
186+46.15

45.51'

S.R. #163

138.99 Meters

52.18'

P.T.

PERSONNEL	TITLE	PERSONNEL	TITLE	COUNTY	DATE
<u>Reese</u>	<u>T</u>			<u>O'Hawa</u>	
<u>Coyman</u>	<u>ROD</u>			<u>S. R. 163</u>	<u>WEATHER Clear</u>
<u>ANDERSON</u>	<u>ROD</u>			<u>SEC. Post Clinton East</u>	<u>TEMP. 60°</u>

DESCRIPTION \_\_\_\_\_ LEFT \_\_\_\_\_ CENTER LINE \_\_\_\_\_ RIGHT \_\_\_\_\_ JOB NO. \_\_\_\_\_

Reset P.K. Nails 6-12-69

