

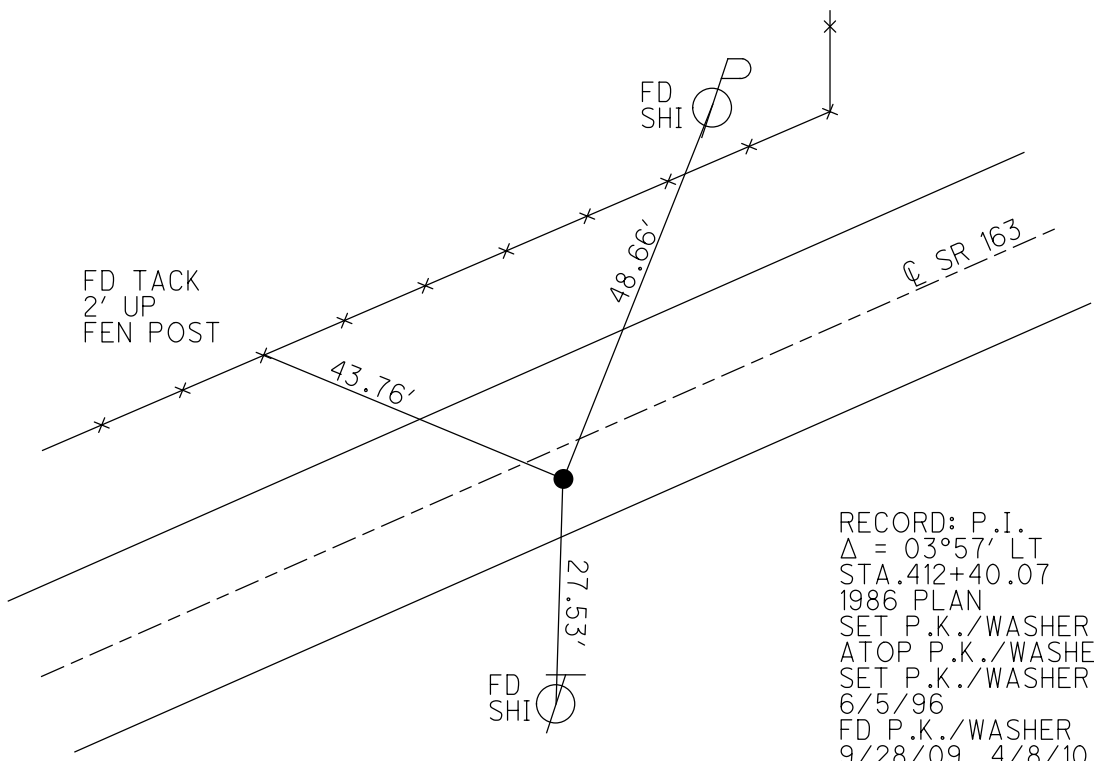
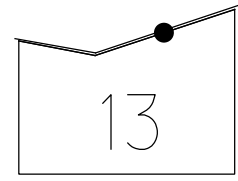
O.D.O.T. DISTRICT 2 SURVEY OFFICE (USE ONLY)

PERSONNEL \_\_\_\_\_ REFERENCE NO. 139 SHEET 23 OF 66  
 NOTES LUMBREZER DATE 5/6/11 ROUTE SR 163  
 H.C. FINTEL WEATHER CLOUDY COUNTY OTTAWA  
 R.C. LUMBREZER TEMP. 60° TOWNSHIP DANBURY  
 SECTION 2-13  
 DWG BY NIESE PID 107060

TYPE MONUMENT P.K./WASHER  
 ON SURFACE - ~~BELOW~~ ON \_\_\_\_\_  
 OFFSET  $\varnothing$  PAVEMENT 4.0' ~~±~~ : RT  
7.1' TO RT EDGE PAVEMENT  
 STATION: 1815+59

HORZ.DATUM: NAD83(2011) GEOID: 2012A  
 GRID: NORTHING: 679303.457 EASTING: 1893608.048

NOTES:  
 THIS MAP IS FOR ODOT PURPOSES ONLY.  
 TO INDEX REFERENCE TIES, AND DOES NOT  
 REPRESENT TRUE LAND SUBDIVISION.



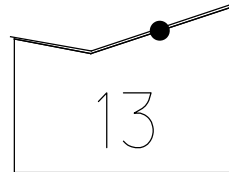
RECORD: P.I.  
 $\Delta = 03^{\circ}57' LT$   
 STA.412+40.07  
 1986 PLAN  
 SET P.K./WASHER  
 ATOP P.K./WASHER  
 SET P.K./WASHER  
 6/5/96  
 FD P.K./WASHER  
 9/28/09, 4/8/10  
 SV117  
 4/28/10, KPM  
 SET MAG/WASHER  
 FINREF139  
 9/17/12, SDC  
 FD P.K./WASHER  
 REF139  
 4/2/19  
 9/13/19, JFO  
 4/21/22, JFO

O.D.O.T. DISTRICT 2 SURVEY OFFICE (USE ONLY)

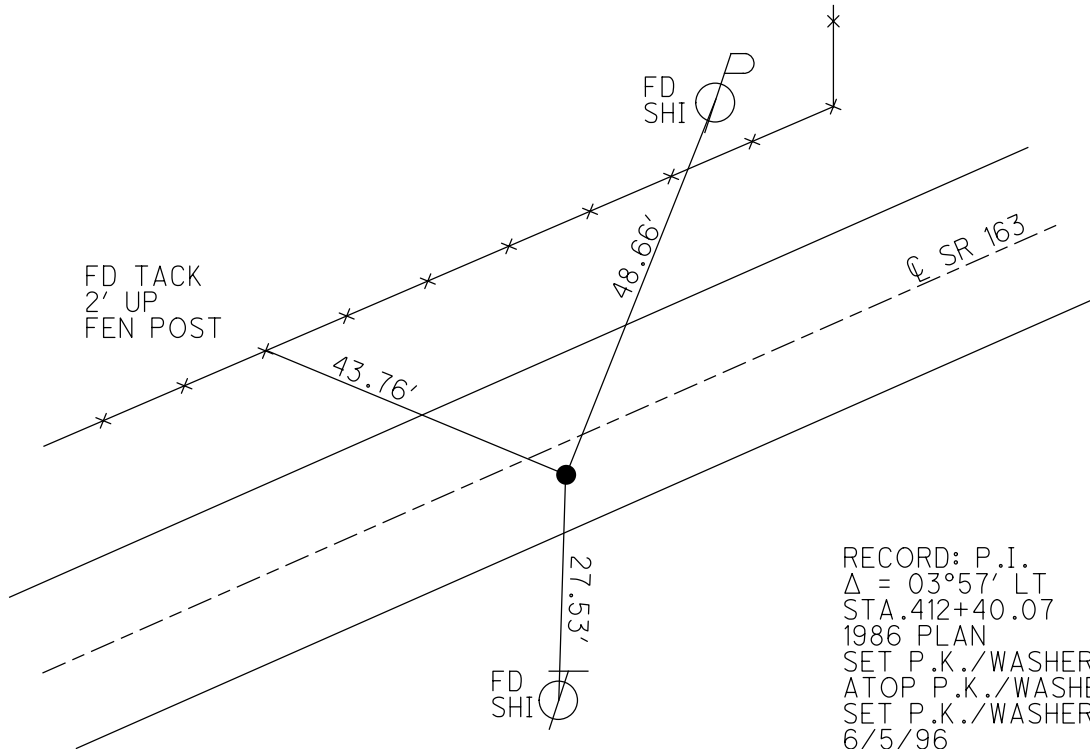
PERSONNEL \_\_\_\_\_ REFERENCE NO. 139 SHEET 23 OF 63  
 NOTES LUMBREZER DATE 5/6/11 ROUTE SR 163  
 H.C. FINTEL WEATHER CLOUDY COUNTY OTTAWA  
 R.C. LUMBREZER TEMP. 60° TOWNSHIP DANBURY  
 SECTION 2-13  
 DWG BY NIESE PID 107060

TYPE MONUMENT P.K./WASHER  
 ON SURFACE - ~~BELOW~~ ON \_\_\_\_\_  
 OFFSET CL PAVEMENT 4.0' ~~±~~ : RT  
7.1' TO RT EDGE PAVEMENT  
 STATION: 1815+59

NOTE:  
THIS MAP IS FOR ODOT PURPOSES ONLY.  
TO INDEX REFERENCE TIES, AND DOES NOT  
REPRESENT TRUE LAND SUBDIVISION.



HORIZ.DATUM: NAD83(2011) GEOID: 2012A  
 GRID: NORTHING: 679303.457 EASTING: 1893608.048



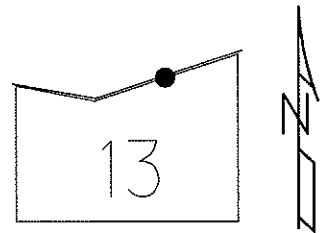
RECORD: P.I.  
 $\Delta = 03^{\circ}57' \text{ LT}$   
 STA. 412+40.07  
 1986 PLAN  
 SET P.K./WASHER  
 ATOP P.K./WASHER  
 SET P.K./WASHER  
 6/5/96  
 FD P.K./WASHER  
 9/28/09, 4/8/10  
 SV117  
 4/28/10, KPM  
 SET MAG/WASHER  
 FINREF139  
 9/17/12, SDC  
 FD P.K./WASHER  
 REF139  
 4/2/19  
 9/13/19, JFO

O.D.O.T. DISTRICT 2 SURVEY OFFICE (USE ONLY)

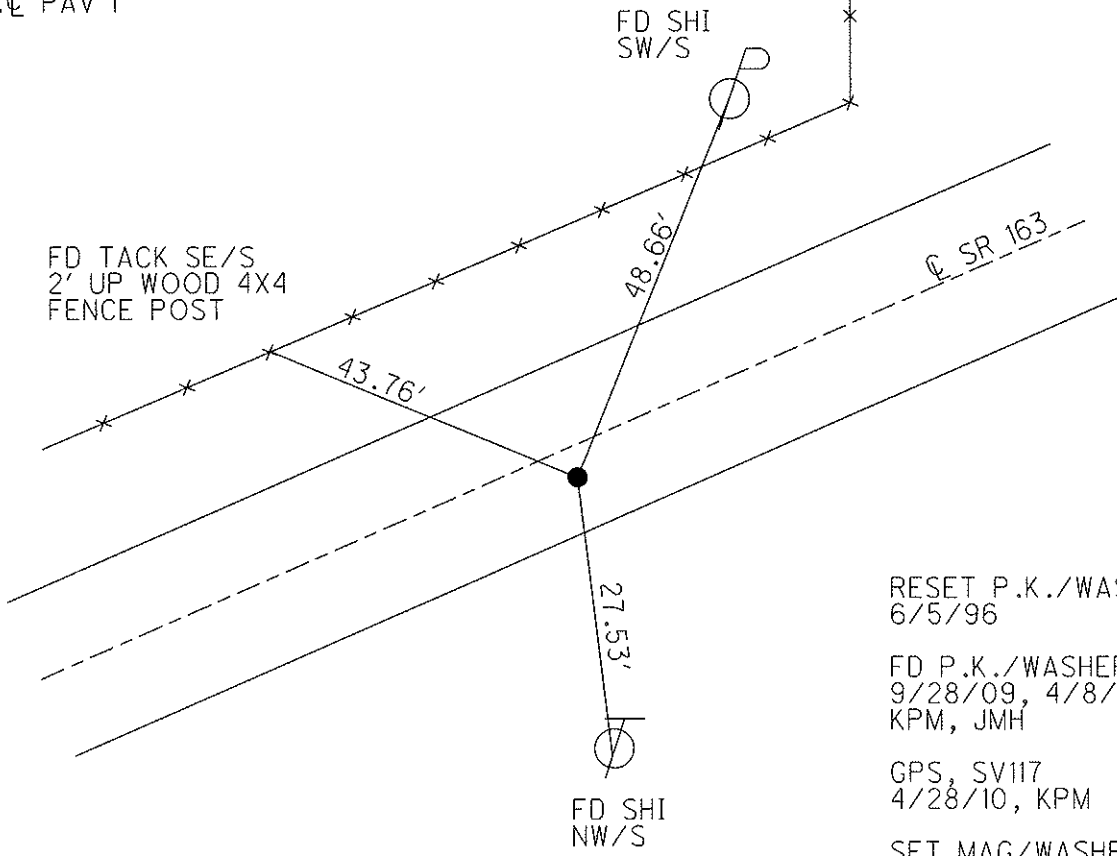
PERSONNEL	REFERENCE NO. <u>139</u>	SHEET <u>23</u> OF <u>63</u>
NOTES <u>LUMBREZER</u>	DATE <u>5/6/11</u>	ROUTE <u>SR 163</u>
H.C. <u>FINTEL</u>	WEATHER <u>CLOUDY</u>	COUNTY <u>OTTAWA</u>
R.C. <u>LUMBREZER</u>	TEMP. <u>60°</u>	TOWNSHIP <u>DANBURY</u>
		SECTION <u>2-13</u>

TYPE MONUMENT P.K./WASHER  
 ON SURFACE - ~~BELOW~~ ON  
~~LEFT~~ - CL PAV'T - RIGHT 4'  
7.1' TO RT EDGE PAVEMENT  
 S.L.M. 1815+59

Grid: Northing: 679303.446 Easting: 1893608.016



1983 RECORD  
 P.I.  $\Delta = 03^\circ 57'$  LT. (PLAN)  
 412+40.07  
 SET P.K./WASHER ATOP  
 P.K./WASHER  
 4' RT. CL PAV'T



RESET P.K./WASHER  
 6/5/96  
 FD P.K./WASHER  
 9/28/09, 4/8/10  
 KPM, JMH  
 GPS, SV117  
 4/28/10, KPM  
 SET MAG/WASHER  
 9/12/12, SDC  
 GPS, FINREF139  
 9/17/12, SDC

# O.D.O.T. DISTRICT 2 SURVEY OFFICE

PERSONNEL \_\_\_\_\_

REFERENCE NO. 139

SHEET 10 OF 52

NOTES CANTERBURY

H.C. LOEHRKE

R.C. ROUSOS

DATE 5-25-95

WEATHER CLOUDY

TEMP. ± 60 °F

ROUTE S.R. 163

COUNTY OTTAWA

TOWNSHIP DAWBURY

SECTION CONJ. WEST. RESERVE

T \_\_\_\_\_ R \_\_\_\_\_

ReSet

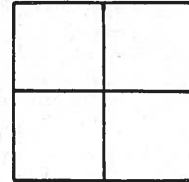
TYPE MONUMENT P.K. / WASHER 6-5-96

ON SURFACE - BELOW Yes

~~LEFT - & PAVT.~~ - RIGHT 4.0' RT &

7.1' TO RT EDGE PAVEMENT

S.L.M. 1815 + 59



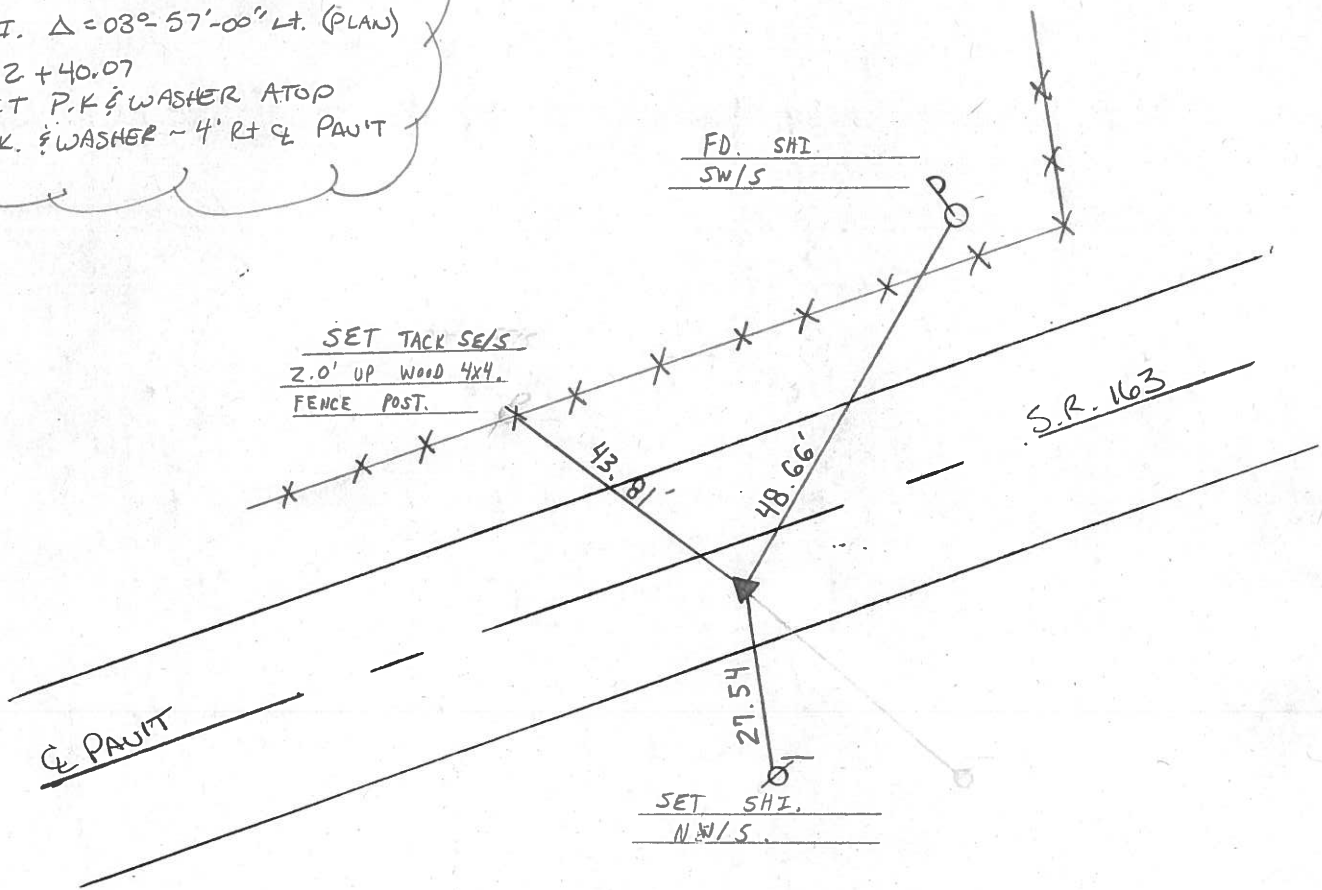
1983 RECORD

P.I.  $\Delta = 03^{\circ} - 57' - 00''$  Lt. (PLAN)

412 + 40.07

SET P.K. & WASHER ATOP

P.K. & WASHER ~ 4' RT & PAVT



County Ottawa S.R. #163

Date 11/22/83

Township Danbury

Weather sunny

Section       

Temp. 44°

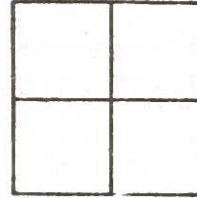
T    N, R    E

Personnel Cronin

Ripple

Geyman

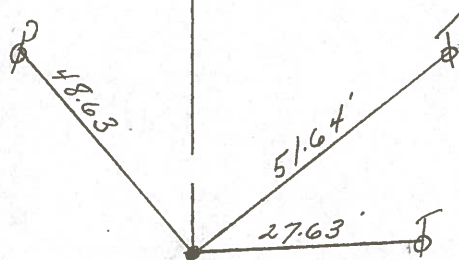
Barbour



139



Plan  
P.I.  $\Delta = 03^{\circ}57' \text{ LT.}$   
412 + 40.07  
set P.K. & washer atop  
P.K. & washer 4' R.L. & Paint.

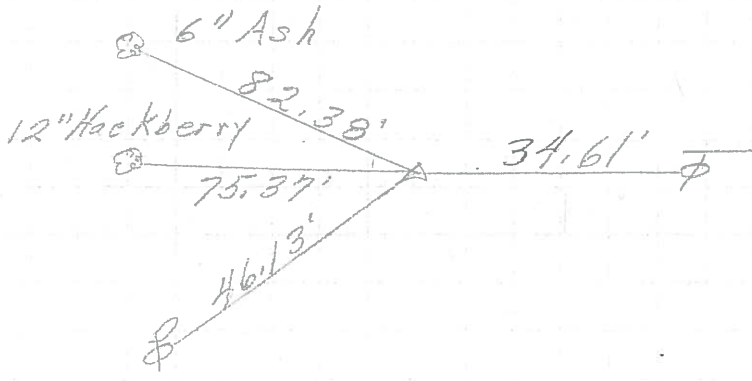


S.R. #163

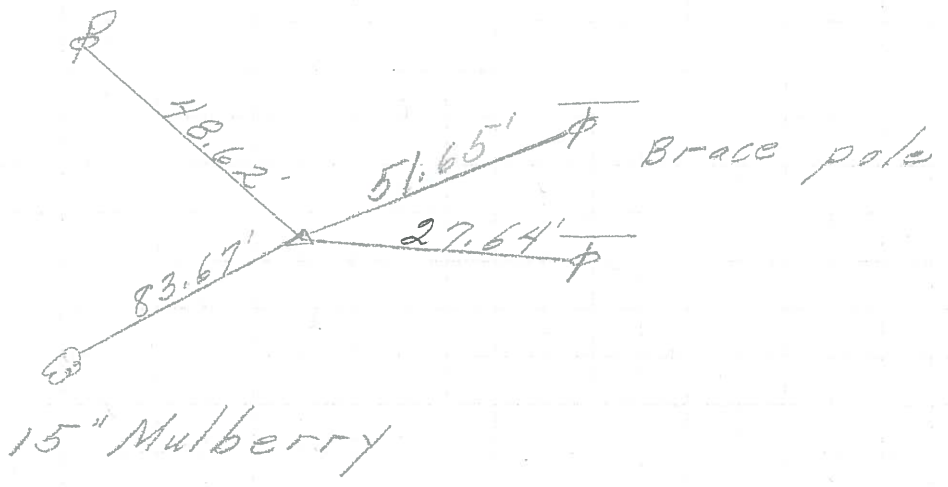
PERSONNEL	TITLE	PERSONNEL	TITLE
DESCRIPTION		JOB NO.	

COUNTY Ottawa DATE 6-10-71  
 S. R. 163 WEATHER \_\_\_\_\_  
 SEC. 2 TEMP. \_\_\_\_\_  
 S.R. # 269 East  
 LEFT CENTER LINE RIGHT

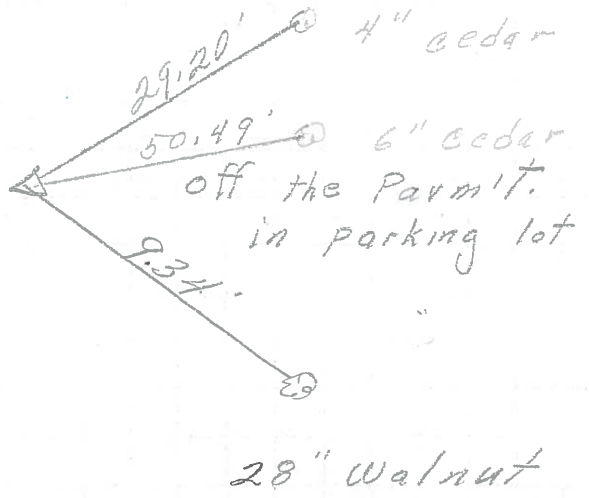
P.I. **(140)**  
 417+02.07  
 P.K. Nail



**(139)**  
 412+40.07  
 P.K. Nail



**(138)**  
 398+10.26



did not find

PERSONNEL	TITLE	PERSONNEL	TITLE	COUNTY	DATE	WEATHER	TEMP.
Schneider		Potts		Ottawa	9-10-68	cloudy	70°
Mosser				S. R. 163			
Barbour				SEC. S.R.#269 - East			
Redding							

DESCRIPTION Ties for Control Points JOB NO. \_\_\_\_\_

