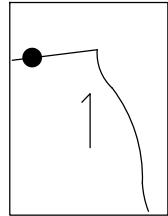


O.D.O.T. DISTRICT 2 SURVEY OFFICE (USE ONLY)

PERSONNEL _____ REFERENCE NO. 146 B SHEET 43 OF 66
 NOTES CODER DATE 9/4/12 ROUTE SR 163
 H.C. CODER WEATHER CLOUDY COUNTY OTTAWA
 R.C. RHOADES TEMP. 75° TOWNSHIP DANBURY
 SECTION 1-1
 DWG BY NIESE PID PVTRAIN

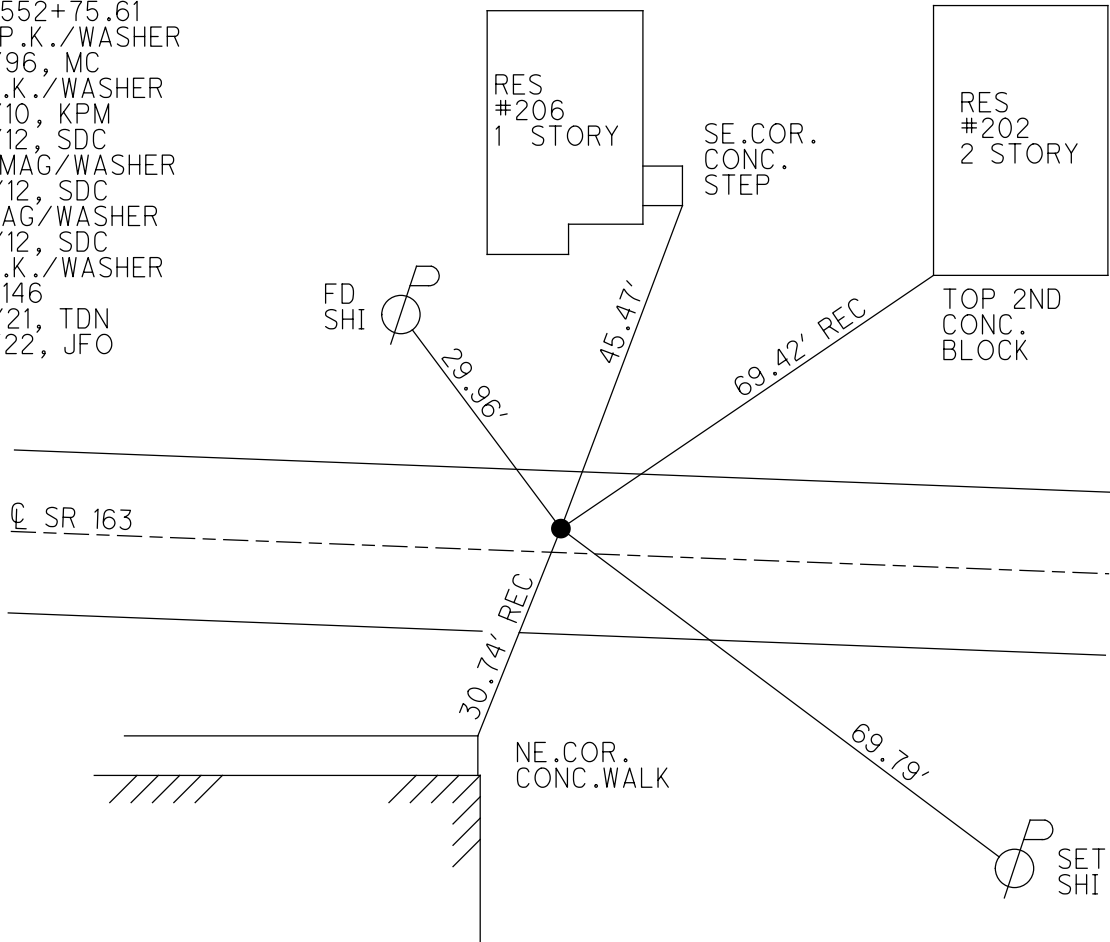
TYPE MONUMENT P.K./WASHER
 ON SURFACE - ~~BELOW~~ ON
 OFFSET 1.4' LT : ~~RT~~
9.6' TO LT EDGE PAVEMENT
 STATION: 1956+25

NOTE:
THIS MAP IS FOR ODOT PURPOSES ONLY
TO INDEX REFERENCE TIES, AND DOES NOT
REPRESENT TRUE LAND SUBDIVISION.



HORZ. DATUM: NAD83 (2011) GEOID: NAVD88 2018
 GRID: NORTHING: 682859.388 EASTING: 1906879.319

RECORD: P.I.
 $\Delta = 01^{\circ}33' \text{ LT}$
 STA 552+75.61
 SET P.K./WASHER
 6/5/96, MC
 FD P.K./WASHER
 5/3/10, KPM
 9/4/12, SDC
 SET MAG/WASHER
 11/6/12, SDC
 FD MAG/WASHER
 11/9/12, SDC
 FD P.K./WASHER
 REFB146
 6/11/21, TDN
 2/7/22, JFO



O.D.O.T. DISTRICT 2 SURVEY OFFICE (USE ONLY)

PERSONNEL _____

REFERENCE NO. 146 B

SHEET 43 OF 63

NOTES CODER

DATE 9/4/12

ROUTE SR 163

H.C. CODER

WEATHER CLOUDY

COUNTY OTTAWA

R.C. RHOADES

TEMP. 75°

TOWNSHIP DANBURY

SECTION 1-1

TYPE MONUMENT P.K./WASHER

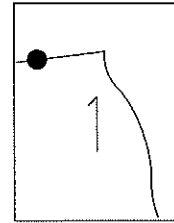
ON SURFACE - ~~BELOW~~ ON

LEFT - Q PAV'T - ~~RIGHT~~ 1.4'

9.6' TO LT EDGE PAVEMENT

S.L.M. 1956+25

Grid: Northing: 682859.413 Easting: 1906879.278

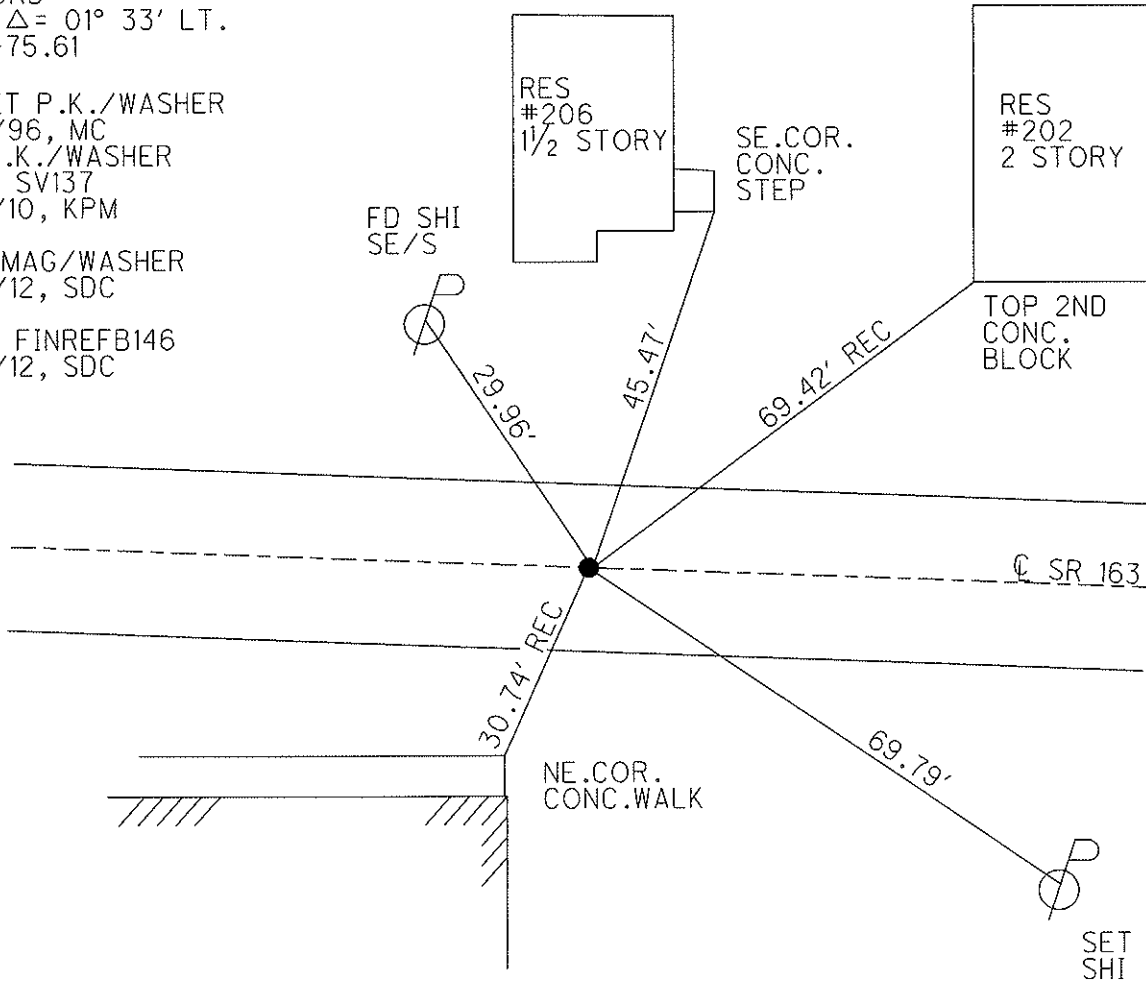


RECORD
P.I. Δ = 01° 33' LT.
552+75.61

RESET P.K./WASHER
6/5/96, MC
FD P.K./WASHER
GPS, SV137
5/3/10, KPM

SET MAG/WASHER
11/6/12, SDC

GPS, FINREFB146
11/9/12, SDC



O.D.O.T. DISTRICT 2 SURVEY OFFICE

PERSONNEL _____

REFERENCE NO. 146 B

SHEET 36 OF 52

NOTES CANTERBURY

H.C. LOEHRKE

R.C. ROUSOS

DATE 6-5-95

WEATHER Nice

TEMP. +75

ROUTE S.R. 163

COUNTY OTTAWA

TOWNSHIP MARBLE HEAD

SECTION _____

T _____ R _____

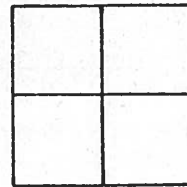
TYPE MONUMENT Reset
P.K. NAIL 6-5-96

~~ON~~ SURFACE - BELOW 3" BELOW

LEFT-~~E~~ PAV'T. - ~~RIGHT~~ 1.4'

9.6 TO Lt EDGE PAVEMENT

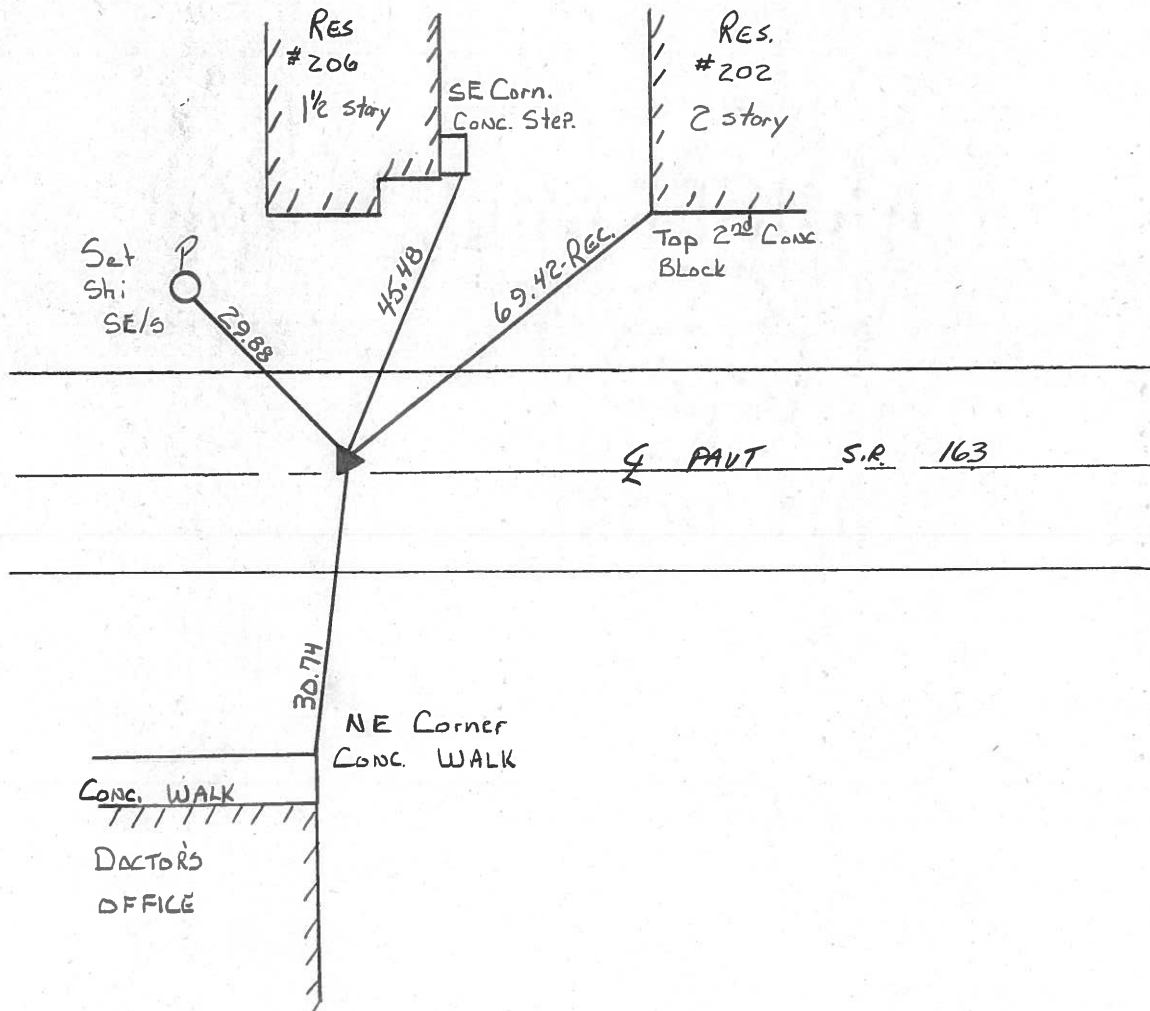
S.L.M. 1956+25



RECORD.

P.I. Sta 552 + 75.61

$\Delta = 01^{\circ} 33' Lt$



County Ottawa S.R. #163

Date 12/13/83

Township Marblehead

Weather overcast

Section _____

Temp. 40°

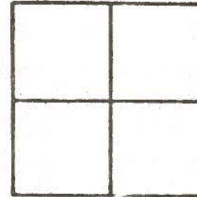
T-N, R-E

Personnel Cronin

Ripple

Geyman

Barbour



146 B

Erie Street



2 story
frame res
#202
Top 2nd conc
block
conc. step

69.42'

45.47'

#206 W

1 1/2 story
frame res

25.94'

30.67'

M.D.
office
conc. walk

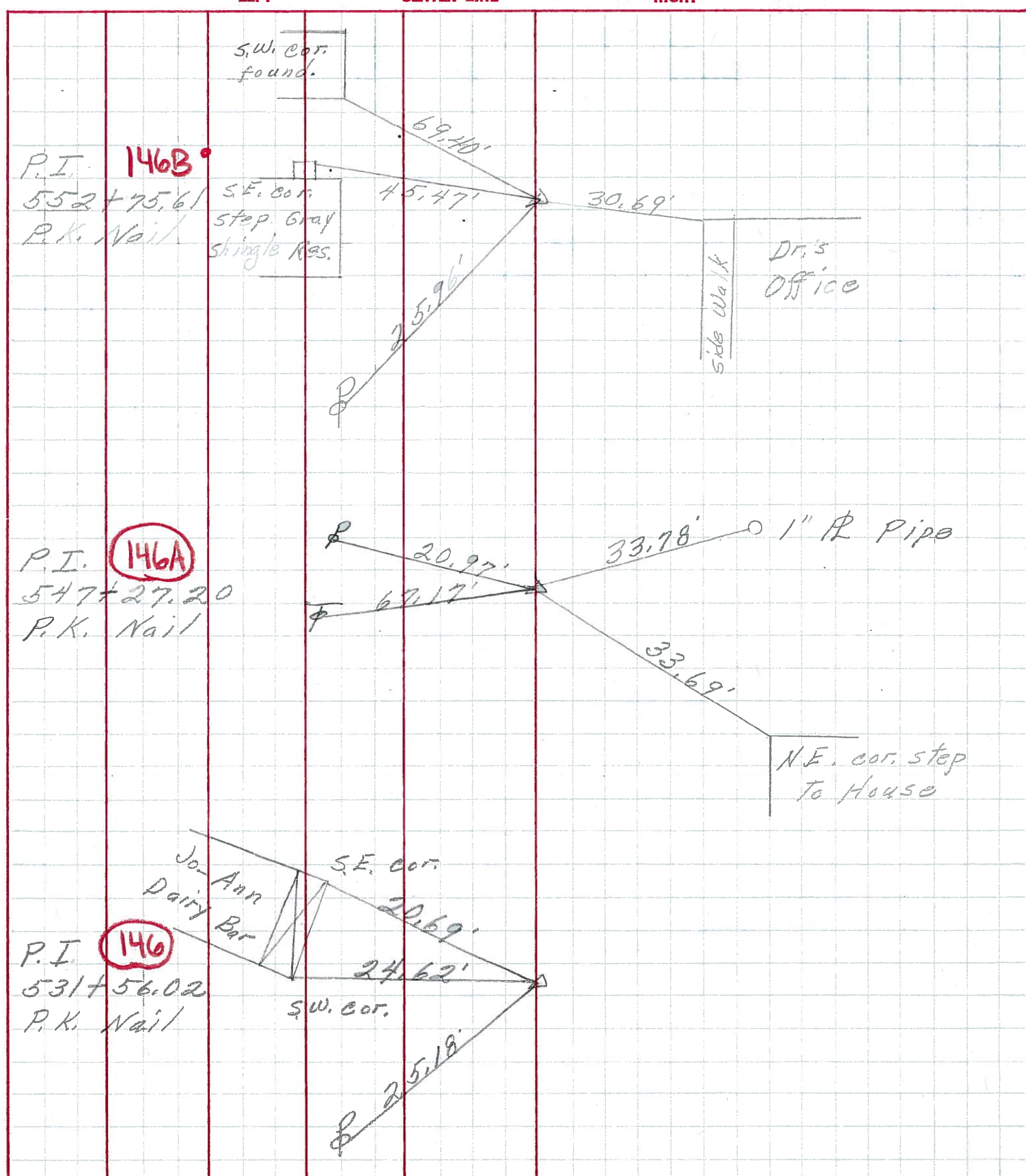
P.I. A = 01°33' Lt.
552 + 75.61
Ties close - but do not
hit. Did not set anything

S.R. #163

PERSONNEL	TITLE	PERSONNEL	TITLE

COUNTY Ottawa DATE 6-14-71
 S. R. 163 WEATHER _____
 SEC. 1 TEMP. _____

DESCRIPTION Marblehead JOB NO. _____



PERSONNEL TITLE PERSONNEL TITLE

COUNTY Offowa DATE 9-12-68

S. R. 163 WEATHER Fair

SEC. Marblehead TEMP. 70°

DESCRIPTION Ties for Control Points JOB NO. _____

LEFT CENTER LINE RIGHT

