

O.D.O.T. DISTRICT 2 SURVEY OFFICE (USE ONLY)

PERSONNEL _____ REFERENCE NO. 7 SHEET 1 OF 9
 NOTES NIESE DATE 9/30/21 ROUTE SR 269
 H.C. AUBLE WEATHER SUNNY COUNTY OTTAWA
 R.C. NIESE TEMP. 67° TOWNSHIP DANBURY
 SECTION 4-20

DWG BY WHITAKER PID 95758

TYPE MONUMENT MAG/WASHER

ON SURFACE - ~~BELOW~~ ON

OFFSET ℄ PAVEMENT 8.2' ~~±~~ : RT

5.5' TO RT EDGE PAVEMENT

STATION: 131+50

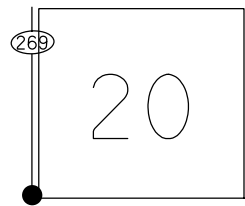
HORZ. DATUM: NAD83(2011)

GEOID: 2018

GRID: NORTHING: 671985.600

EASTING: 1878318.082

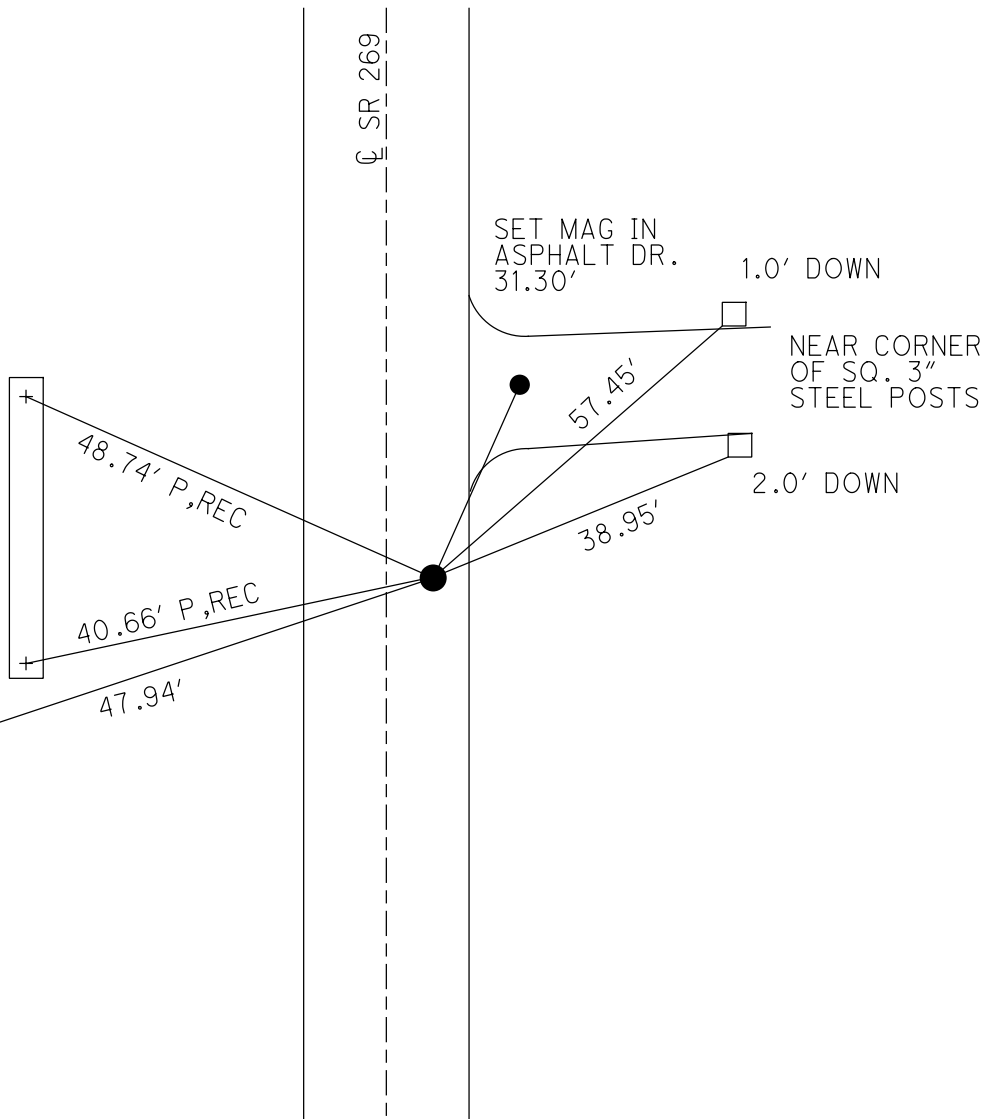
NOTE:
THIS MAP IS FOR ODOT PURPOSES ONLY
TO INDEX REFERENCE TIES, AND DOES NOT
REPRESENT TRUE LAND SUBDIVISION.



RECORD: P.I.
 STA. 42+55.30
 FD P.K./WASHER
 3/31/03, MB
 SET MAG/WASHER
 6/30/03, MDB
 FD MAG/WASHER
 REF 7
 9/20/18
 2/8/19, JFO
 FD MAG/WASHER
 9/30/21, DSA
 SET MAG/WASHER
 7/22/22, DSA

FD "+" CUTS
 12" RCP

FD SHI

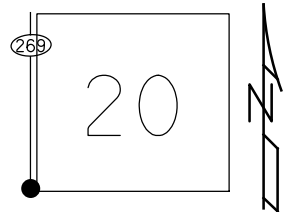


O.D.O.T. DISTRICT 2 SURVEY OFFICE (USE ONLY)

PERSONNEL _____ REFERENCE NO. 7 SHEET 1 OF 8
 NOTES RHOADES DATE 9/20/18 ROUTE SR 269
 H.C. MILLER WEATHER CLOUDY COUNTY OTTAWA
 R.C. O'DONNELL TEMP. 76° TOWNSHIP DANBURY
 DWG BY NIESE PID PAVMT. TRAIN SECTION 4-20

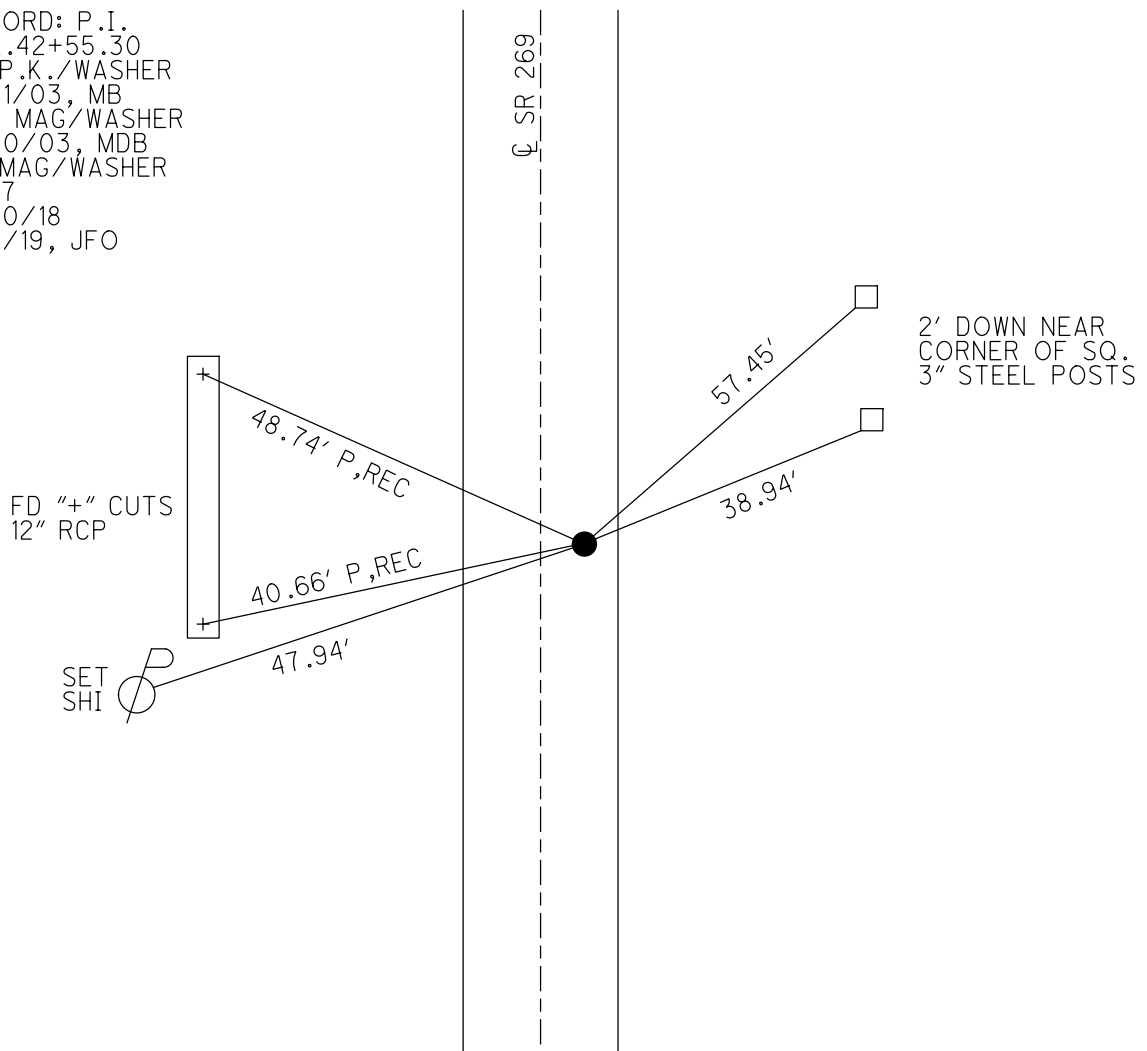
TYPE MONUMENT MAG/WASHER
 ON SURFACE - ~~BELOW~~ ON
 OFFSET C PAVEMENT 8.2' RT : RT
5.5' TO RT EDGE PAVEMENT
 STATION: 131+50

NOTE:
THIS MAP IS FOR ODOT PURPOSES ONLY
TO INDEX REFERENCE TIES, AND DOES NOT
REPRESENT TRUE LAND SUBDIVISION.



HORZ.DATUM: NAD83(2011) GEOID: 2012A
 GRID: NORTHING: 671985.600 EASTING: 1878318.082

RECORD: P.I.
 STA.42+55.30
 FD P.K./WASHER
 3/31/03, MB
 SET MAG/WASHER
 6/30/03, MDB
 FD MAG/WASHER
 REF7
 9/20/18
 2/8/19, JFO

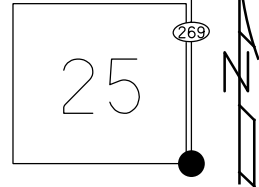


O.D.O.T. DISTRICT 2 SURVEY OFFICE (USE ONLY)

PERSONNEL _____ REFERENCE NO. 7 SHEET 1 OF 7
 NOTES RHOADES DATE 3/31/03 ROUTE SR 269
 H.C. MILLER WEATHER CLEAR COUNTY OTTAWA
 R.C. O'DONNELL TEMP. 35° TOWNSHIP DANBURY
 _____ SECTION 4-25

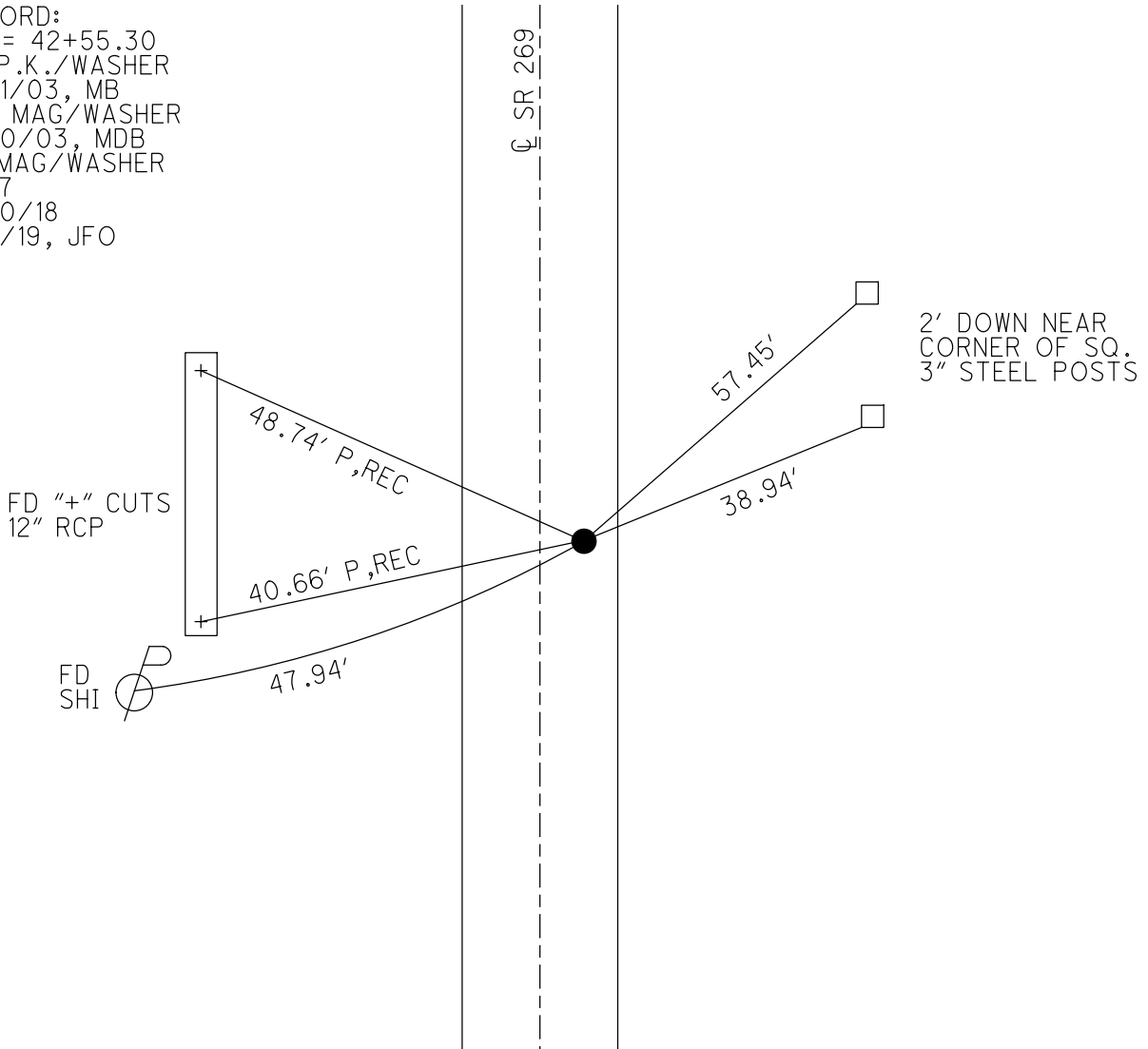
TYPE MONUMENT MAG/WASHER
 ON SURFACE - ~~BELOW~~ ON
~~LEFT~~ - Q PAV'T - RIGHT 8.2'
5.5' TO RT EDGE PAVEMENT
 S.L.M. 131+50

NOTE:
 THIS MAP IS FOR ODOT PURPOSES ONLY
 TO INDEX REFERENCE TIES, AND DOES NOT
 REPRESENT TRUE LAND SUBDIVISION.



GRID: NORTHING: 671985.600 EASTING: 1878318.082

RECORD:
 P.I. = 42+55.30
 FD P.K./WASHER
 3/31/03, MB
 SET MAG/WASHER
 6/30/03, MDB
 FD MAG/WASHER
 REF 7
 9/20/18
 2/8/19, JFO

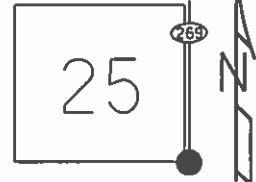


O.D.O.T. DISTRICT 2 SURVEY OFFICE (USE ONLY)

PERSONNEL _____ REFERENCE NO. 7 SHEET 1 OF 12
 NOTES BARNHESEL DATE 3/31/03 ROUTE SR 269
 H.C. BRUMBAUGH WEATHER CLEAR COUNTY OTTAWA
 R.C. GLASS TEMP. 35° TOWNSHIP DANBURY
 _____ SECTION 4-25

TYPE MONUMENT P.K./WASHER
 ON SURFACE - ~~BELOW~~ ON
~~LEFT~~ - RIGHT 8.2'
5.5' TO RT EDGE PAVEMENT
 S.L.M. 127+63
 GRID: NORTHING: _____ EASTING: _____

NOTE:
THIS MAP IS FOR ODOT PURPOSES ONLY
TO INDEX REFERENCE TIES, AND DOES NOT
REPRESENT TRUE LAND SUBDIVISION.



RECORD:
 P.I. = 42+55.30
 RESET MAG/WASHER
 6/30/03, MDB

