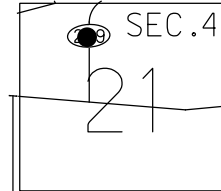


O.D.O.T. DISTRICT 2 SURVEY OFFICE (USE ONLY)

PERSONNEL _____ REFERENCE NO. 15 SHEET 4 OF 18
 NOTES RHOADES DATE 12/4/14 ROUTE SR 269
 H.C. WESTFALL WEATHER CLOUDY COUNTY OTTAWA
 R.C. HOMAN TEMP. 28° TOWNSHIP DANBURY
 SECTION 4-21
 DWG BY RHOADES PID 93682

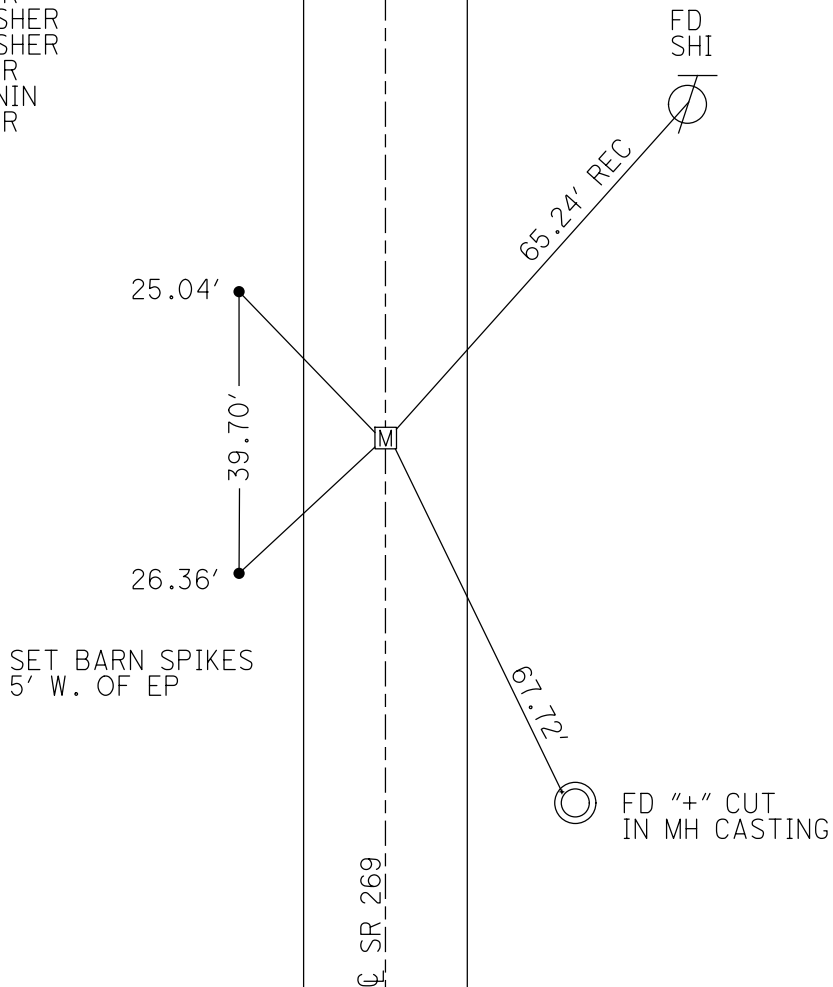
TYPE MONUMENT MONBOX W/1" IPIN
 ON SURFACE - ~~BELOW~~ ON
 OFFSET Q PAVEMENT ON LT : RT
11.8' TO LT EDGE PAVEMENT
 STATION: 241+44.94

NOTE:
 THIS MAP IS FOR ODOT PURPOSES ONLY
 TO INDEX REFERENCE TIES, AND DOES NOT
 REPRESENT TRUE LAND SUBDIVISION.



HORZ. DATUM: NAD83 2011 GEOID: NAVD88 2018
 GRID: NORTHING: 680997.474 EASTING: 1880323.427

RECORD: T.S.
 STA. 156+09.04
 FD P.K./WASHER
 ATOP P.K./WASHER
 ATOP P.K./WASHER
 FD P.K./WASHER
 12/19/88, CRONIN
 FD P.K./WASHER
 REF15
 1/16/13, MC
 FD MONBOX
 W/ 1" IPIN
 NEWREF15
 12/4/14, DCH
 REF15
 8/9/22, DSA

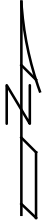
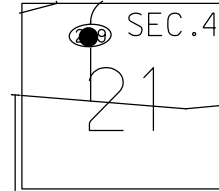


O.D.O.T. DISTRICT 2 SURVEY OFFICE (USE ONLY)

PERSONNEL _____ REFERENCE NO. 15 SHEET 4 OF 18
 NOTES RHOADES DATE 12/4/14 ROUTE SR 269
 H.C. WESTFALL WEATHER CLOUDY COUNTY OTTAWA
 R.C. HOMAN TEMP. 28° TOWNSHIP DANBURY
 _____ SECTION 4-21

TYPE MONUMENT MON.BOX
 ON SURFACE - ~~BELOW~~ ON
 LEFT - Q PAV'T - RIGHT ON
11.8' TO LT EDGE PAVEMENT
 S.L.M. 241+44.94
 GRID: NORTHING: 680997.501 EASTING: 1880323.450

NOTE:
THIS MAP IS FOR ODOT PURPOSES ONLY.
TO INDEX REFERENCE TIES, AND DOES NOT
REPRESENT TRUE LAND SUBDIVISION.



RECORD: T.S.
 STA. 156+09.04
 P.K./WASHER ATOP
 P.K./WASHER ATOP
 P.K./WASHER
 FD P.K./WASHER
 12/19/88, CRONIN
 FD P.K./WASHER
 GPS, REF15
 1/16/13, MC
 MON.BOX INSTALLED
 W/ 1" IPIN
 GPS, NEWREF15

SET BARN SPIKES
 5' W. OF EP

