

O.D.O.T. DISTRICT 2 SURVEY OFFICE (USE ONLY)

PERSONNEL \_\_\_\_\_ REFERENCE NO. 5 A SHEET 8 OF 27  
NOTES HOMAN DATE 11/25/12 ROUTE SR 357  
H.C. HOMAN WEATHER PTLY CLOUDY COUNTY OTTAWA  
R.C. ROUSOS TEMP. 53° SOUTH BASS  
ISLAND

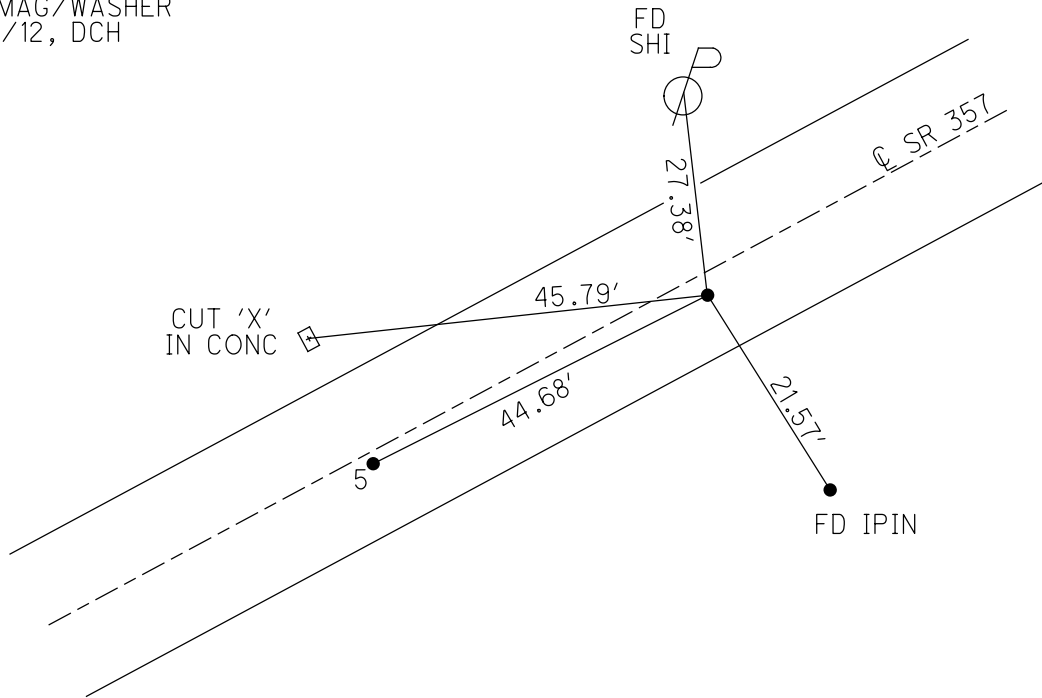
DWG BY RHOADES PID 25525

TYPE MONUMENT P.K.NAIL  
ON SURFACE - ~~BELOW~~ ON \_\_\_\_\_  
OFFSET  $\odot$  PAVEMENT 1.0' ~~ET~~ : RT  
8.25' TO RT EDGE PAVEMENT  
STATION: 85+55.23

HORZ.DATUM: NAD 1983 GEOID: 2003  
GRID: NORTHING: 725598.212 EASTING: 1884845.307



RECORD:  
FD P.K.NAIL  
RSV144  
9/20/07, RGN  
POINT RECOVERED  
RSV144  
9/25/12  
SET MAG/WASHER  
11/25/12, DCH



O.D.O.T. DISTRICT 2 SURVEY OFFICE

PERSONNEL

REFERENCE NO. \_\_\_\_\_

SHEET \_\_\_\_\_ OF \_\_\_\_\_

NOTES Huss

H.C. Ryan

R.C. Huss

DATE 9-20-07

WEATHER \_\_\_\_\_

TEMP. \_\_\_\_\_

ROUTE 357

COUNTY \_\_\_\_\_

TOWNSHIP \_\_\_\_\_

SECTION \_\_\_\_\_

T \_\_\_\_\_ R \_\_\_\_\_

TYPE MONUMENT A PK  
B PK

ON SURFACE - BELOW Surf

LEFT - 8.4' PAV'T. - RIGHT 8.8'

8.25' TO 1.0' RT. EDGE PAVEMENT

S.L.M. \_\_\_\_\_

