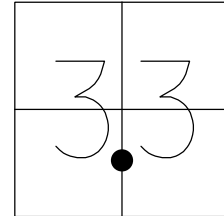


O.D.O.T. DISTRICT 2 SURVEY OFFICE (USE ONLY)

PERSONNEL _____ REFERENCE NO. 1 SHEET 1 OF 3
 NOTES MILLER DATE 12/29/23 ROUTE SR 358
 H.C. MILLER WEATHER CLOUDY COUNTY OTTAWA
 R.C. RHOADES TEMP. 39° TOWNSHIP ERIE
 DWG BY RHOADES PID PAVING TRAIN SECTION 33
 T 8 N R 16 E

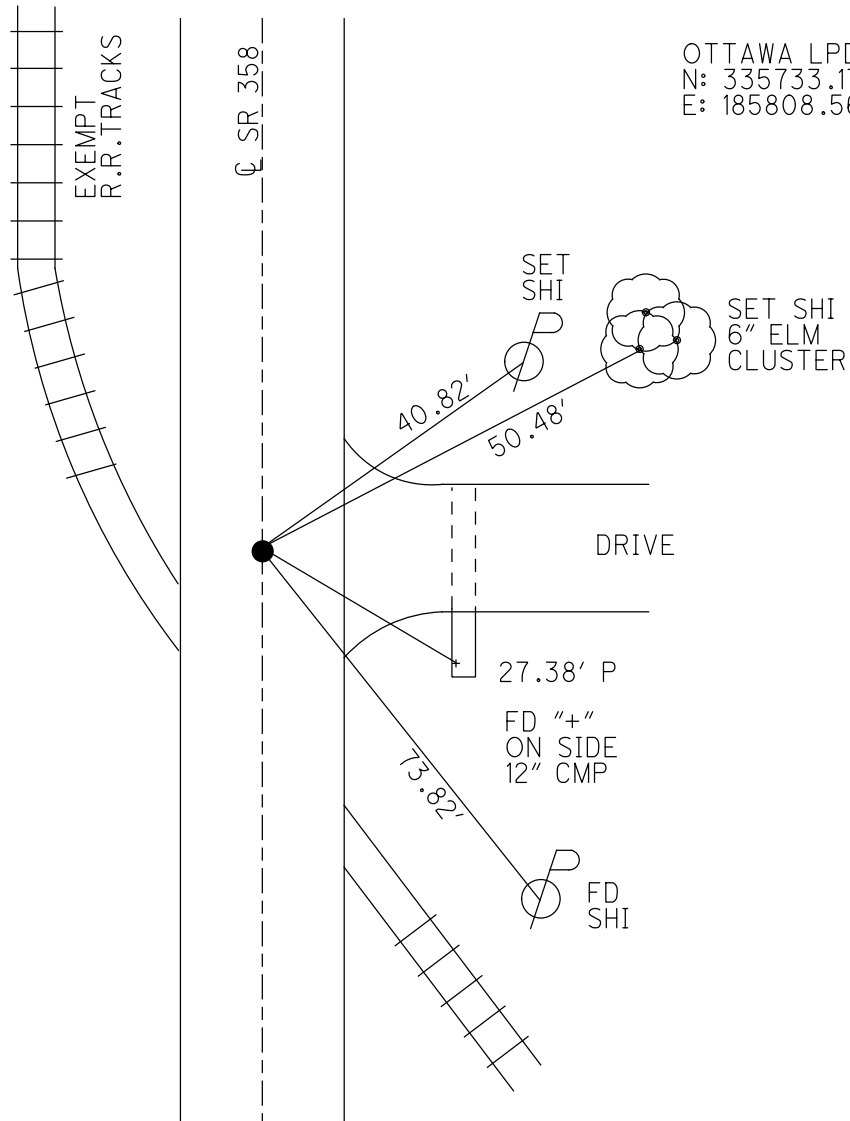
TYPE MONUMENT MAG/WASHER
 ON SURFACE - ~~BELOW~~ ON
 OFFSET \varnothing PAVEMENT ON LT : RT
10.1' TO LT EDGE PAVEMENT
 STATION: 13+69.06



HORIZ.DATUM: NAD83 2011 GEOID: NAVD88 2018
 GRID: NORTHING: 676001.550 EASTING: 1825962.281

RECORD:
 FD R.R.SPIKE
 6/16/71
 SET P.K./WASHER
 7/27/81, CL
 SET MAG/WASHER
 REF1
 6/16/16, JFO
 FD MAG/WASHER
 REF1
 8/30/23, TDN
 SET MAG/WASHER
 12/29/23, JAM

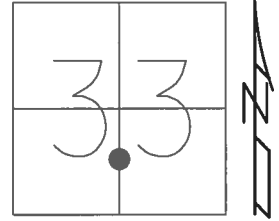
OTTAWA LPD:
 N: 335733.173
 E: 185808.565



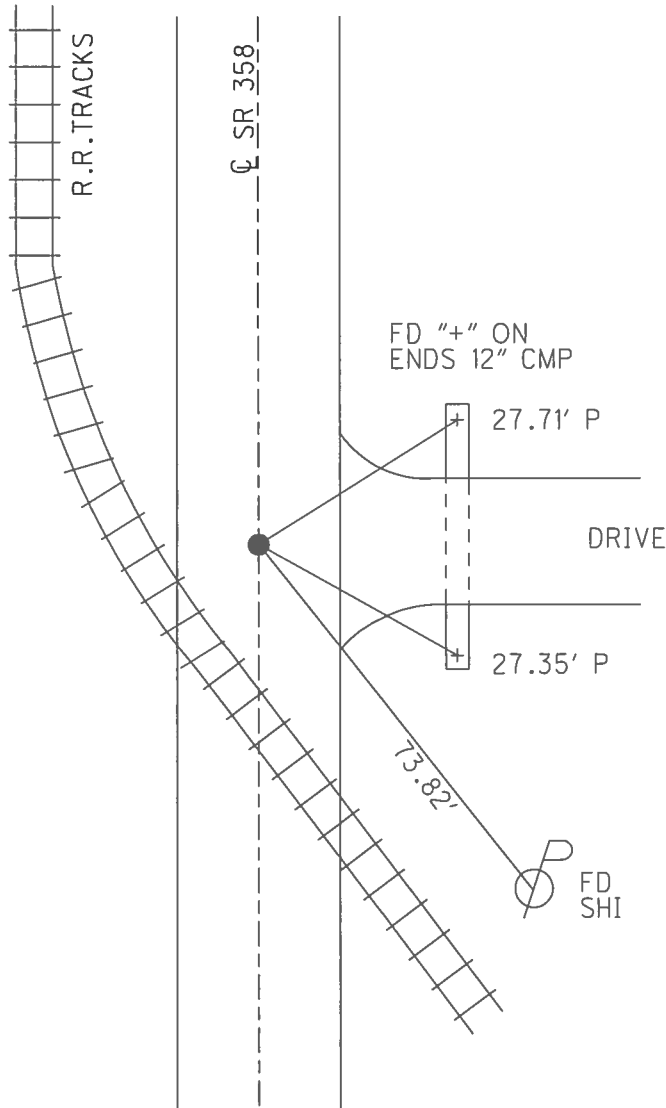
O.D.O.T. DISTRICT 2 SURVEY OFFICE (USE ONLY)

PERSONNEL _____ REFERENCE NO. 1 SHEET 1 OF 3
 NOTES RHOADES DATE 6/16/16 ROUTE SR 358
 H.C. O'DONNELL WEATHER CLOUDY COUNTY OTTAWA
 R.C. KEFFER TEMP. 80° TOWNSHIP ERIE
 _____ SECTION 33
 _____ T 8 N R 16 E

TYPE MONUMENT MAG/WASHER
 ON SURFACE - ~~BELOW~~ ON
 LEFT - ☉ PAV'T - RIGHT ON
10.1' TO LT EDGE PAVEMENT
 S.L.M. 13+69.06
 Grid: Northing: 676001.556 Easting: 1825962.341



RECORD:
 FD R.R. SPIKE
 6/16/71
 SET P.K./WASHER
 7/27/81, CL
 SET MAG/WASHER
 REF1
 6/16/16, JFO
 UNCOVERED



County OTTAWA S.R. 358

Township ERIE

Section 33

T8N, R16E

Personnel Hoffmeyer

Householder

Loehrke

Date 7-27-81

Weather cloudy

Temp. +75°

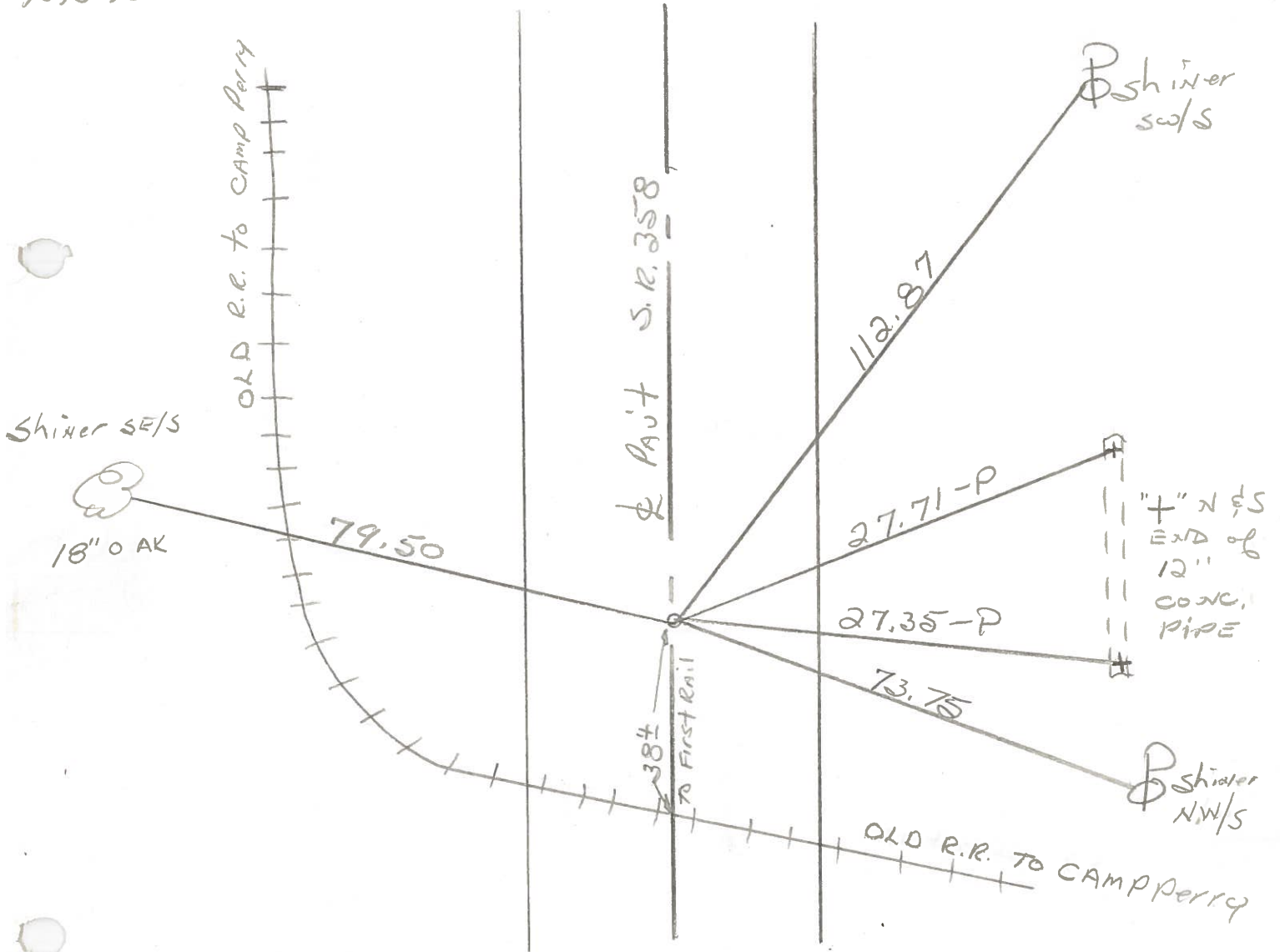


#1

Set P.K. Nail & Washer

10.1' to W. EP.

10.0' to E. EP.



• R.R. SPK ON SURFACE

• 13 ± 69.06 ~ Rec ~ 6-16-71

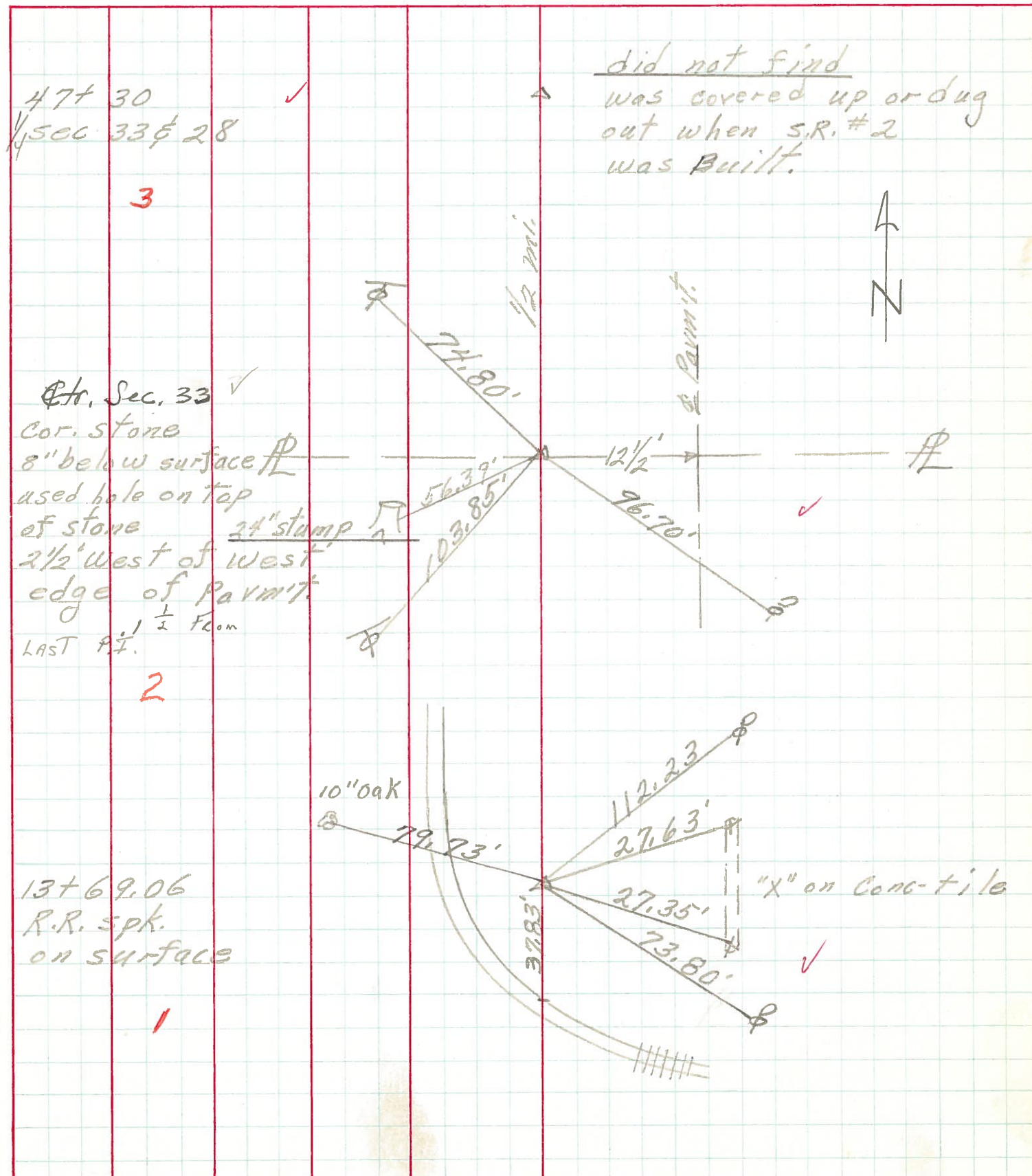
Get Odometer distance or
Aprox distance between Points.

SHEET NO. 1 of 1

✓ Check all points -
8/9/71

PERSONNEL	TITLE	PERSONNEL	TITLE	COUNTY	DATE
<u>Schneider</u>				<u>Ottawa</u>	<u>6-16-71</u>
<u>Mosser</u>				S. R. <u>358</u>	WEATHER <u>Hot</u>
<u>Barbour</u>				SEC. <u>33</u>	TEMP. <u>85°</u>
<u>Geyman</u>					

DESCRIPTION S.R. #163 to S.R. #2 JOB NO. _____



PERSONNEL TITLE PERSONNEL TITLE

Schneider
Mosser
Barbour
Potts

COUNTY Ottawa DATE 7-9-68

S. R. 358 WEATHER Hot

SEC. S.R.#163 to S.R.#2 TEMP. 90°

DESCRIPTION Ties for Control Points JOB NO. _____

LEFT CENTER LINE RIGHT

