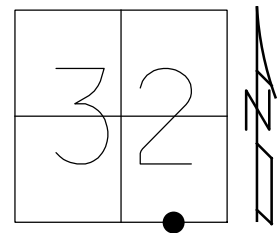


O.D.O.T. DISTRICT 2 SURVEY OFFICE (USE ONLY)

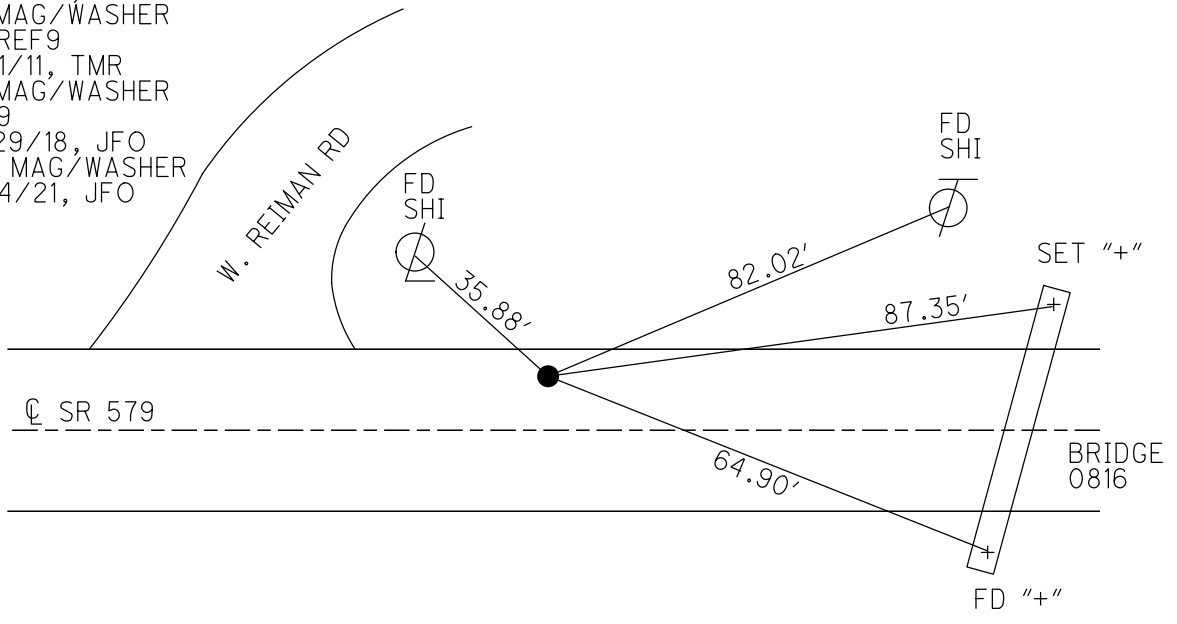
PERSONNEL _____ REFERENCE NO. 9 SHEET 12 OF 36
 NOTES RHOADES DATE 10/5/20 ROUTE SR 579
 H.C. AUBLE WEATHER SUNNY COUNTY OTTAWA
 R.C. O'DONNELL TEMP. 46° TOWNSHIP ALLEN
 DWG BY RHOADES PID 95759 SECTION 32
 T 8 N R 13 E

TYPE MONUMENT MAG/WASHER
 ON SURFACE - ~~BELOW~~ ON
 OFFSET ☉ PAVEMENT ON LT : RT
11.9' TO LT EDGE PAVEMENT
 STATION: 97+25.08



HORZ. DATUM: NAD83 2011 GEOID: NAVD88 2012A
 GRID: NORTHING: 706526.420 EASTING: 1727757.472

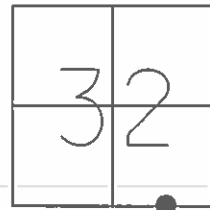
RECORD: P.T.
 SET P.K./WASHER
 9/20/77
 FD P.K./WASHER
 9/19/02, MB
 SET MAG/WASHER
 11/26/02, MB
 FD MAG/WASHER
 579REF9
 6/21/11, TMR
 FD MAG/WASHER
 REF9
 10/29/18, JFO
 SET MAG/WASHER
 8/24/21, JFO



O.D.O.T. DISTRICT 2 SURVEY OFFICE (USE ONLY)

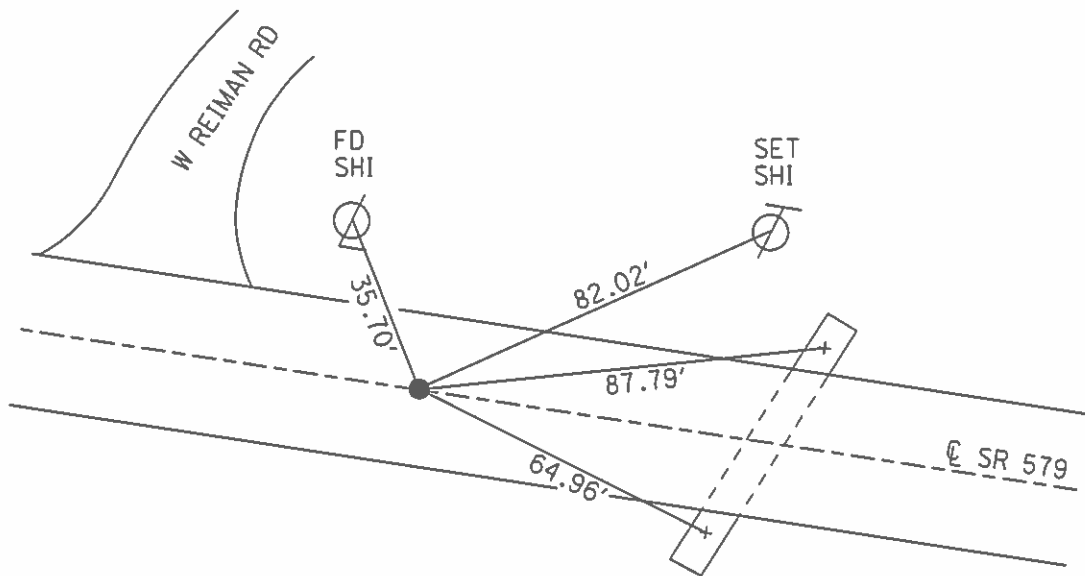
PERSONNEL	REFERENCE NO.	<u>9</u>	SHEET	<u>10</u>	OF	<u>12</u>
NOTES	FINGER	DATE	<u>6/21/11</u>	ROUTE	<u>SR 579</u>	
H.C.	<u>ROUSOS</u>	WEATHER	<u>SUNNY</u>	COUNTY	<u>OTTAWA</u>	
R.C.	<u>FINGER</u>	TEMP.	<u>91°</u>	TOWNSHIP	<u>ALLEN</u>	
				SECTION	<u>4</u>	
				T. <u>8</u> N	R. <u>13</u> E	

TYPE MONUMENT MAG/WASHER
 ON SURFACE - ~~BELOW~~ ON _____
 LEFT - ☉ PAV'T - RIGHT ON _____
11.9' TO LT EDGE PAVEMENT
 S.L.M. 97+25



GRID: NORTHING: 706526.288 EASTING: 1727757.202

RECORD: P.T.
 RESET P.K./WASHER
 09/20/77
 FD P.K./WASHER
 09/19/02
 SET MAG/WASHER
 11/26/02, MB
 FD MAG/WASHER
 579REF9
 6/21/11, TMR

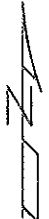
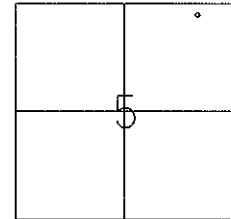


FD 'X' CUT ON WING WALLS
 OF BRIDGE OTT-579-0816

O.D.O.T. DISTRICT 2 SURVEY OFFICE (Use Only)

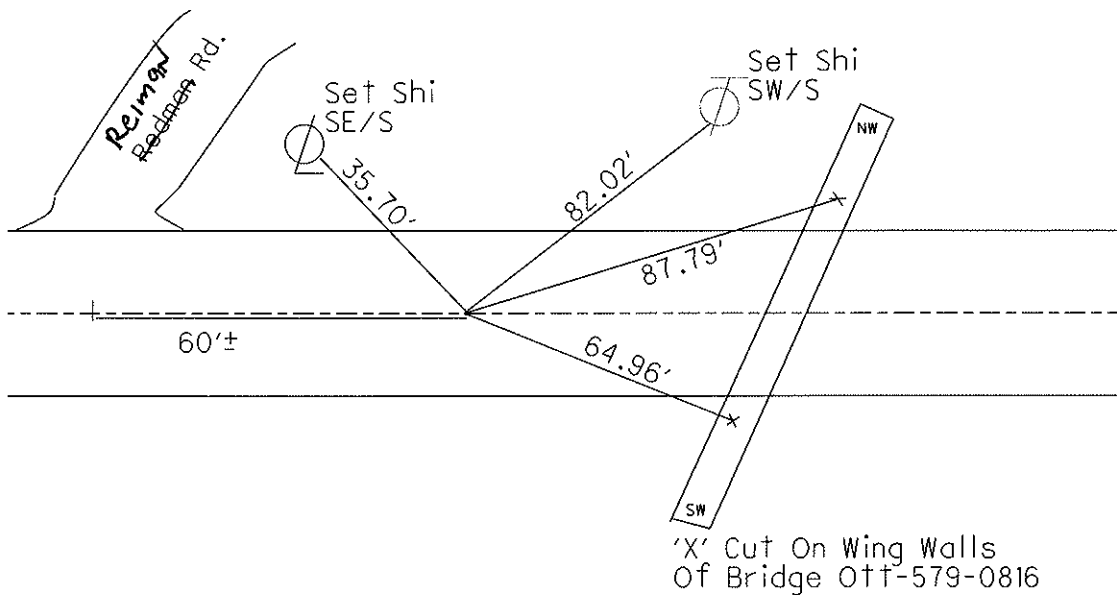
PERSONNEL	REFERENCE NO. <u>9</u>	SHEET <u> </u> OF <u> </u>
NOTES <u>Finger</u>	DATE <u>6/21/11</u>	ROUTE <u>SR 579</u>
H.C. <u>Rousos</u>	WEATHER <u>Sunny</u>	COUNTY <u>Ottawa</u>
R.C. <u>Finger</u>	TEMP. <u>91° F</u>	TOWNSHIP <u>Allen</u>
		SECTION <u>5</u>
		T <u>8</u> N R <u>13</u> E

TYPE MONUMENT Mag Nail/Washer
 ON SURFACE - ~~BELOW~~ Surface
~~LEFT - C~~ PAV'T - ~~RIGHT~~ ℓ
11.9' TO LT EDGE PAVEMENT
 S.L.M. 97+25
 Grid: Northing: 706526.288 Easting: 1727757.202



Record

P.T.
 Re-set PK Nail
 9/20/77
 Fd. PK/Washer
 1.5" Down
 9/19/02
 Reset Mag Nai/Washer
 11/26/02
 MB
 Fd. Mag Nail/Washer
 6/21/11



O.D.O.T. DISTRICT 2 SURVEY OFFICE

PERSONNEL

REFERENCE NO. 9

SHEET 9 OF 34

NOTES BARNHISEL

H.C. CANTERBURY

R.C. BARNHISEL

DATE 9-19-02

WEATHER SUN

TEMP. +75°

ROUTE S.R. 579

COUNTY OTTAWA

TOWNSHIP ALLEN

SECTION 5

T 8 N R 13 E

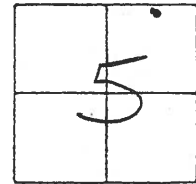
TYPE MONUMENT P.K. / WASHER

~~ON SURFACE~~ - BELOW 1.5" DOWN

LEFT - & PAV'T. - RIGHT ~~+ LT &~~ on &

11.9 TO LT EDGE PAVEMENT

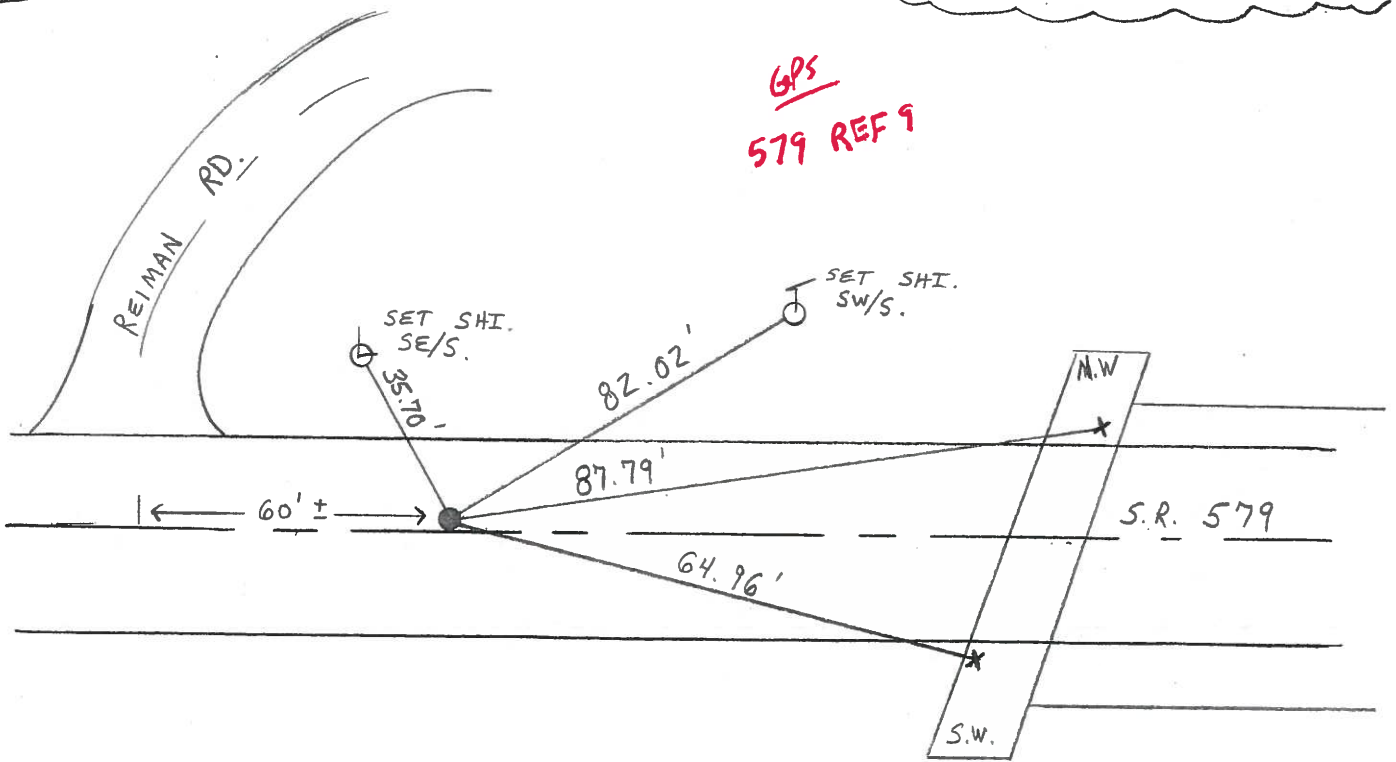
S.L.M. 97+25



P.T.
Re-set P.K. Nail
9-20-77

RESET MAG NAIL / WASHER
11-26-02 **VED**
M.B.

GPS
579 REF 9



"X" CUT ON WING WALLS
OF BRIDGE OTT-579-0186

O.D.O.T. DISTRICT 2 SURVEY OFFICE

PERSONNEL

REFERENCE NO. 9

SHEET 9 OF 34

NOTES BARNHISEL

H.C. CANTERBURY

R.C. BARNHISEL

DATE 9-19-02

WEATHER SUN

TEMP. +75°

ROUTE S.R. 579

COUNTY OTTAWA

TOWNSHIP ALLEN

SECTION 5

T 8 N R 13 E

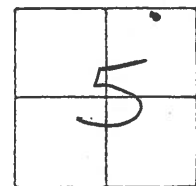
TYPE MONUMENT P.K. / WASHER

~~ON SURFACE~~ - BELOW 1.5" DOWN

LEFT - & PAV'T. - RIGHT 1' LT &

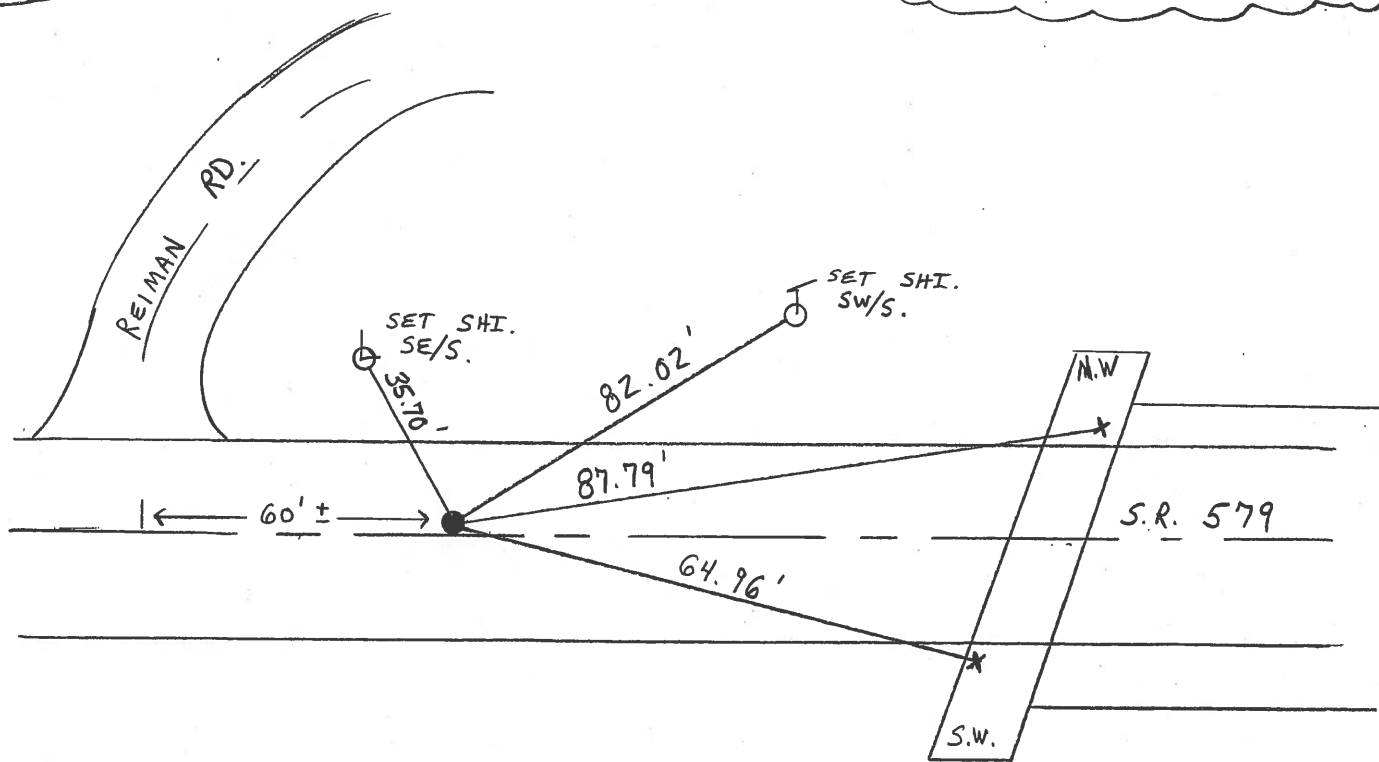
11.9 TO LT EDGE PAVEMENT

S.L.M. 97+25



P.T.
Re-set P.K. Nail
9-20-77

RESET MAG NAIL / WASHER
11-26-02
M.B.



"X" CUT ON WING WALLS
OF BRIDGE OTT-579-0186

O.D.O.T. DISTRICT 2 SURVEY OFFICE

PERSONNEL

REFERENCE NO. 9

SHEET 9 OF

NOTES CRONIN

H.C.

DATE 9-20-77

ROUTE SR-579

R.C.

WEATHER

COUNTY OTTAWA

TEMP.

TOWNSHIP ALLEN

SECTION 5

T. 8 N. 13 E.

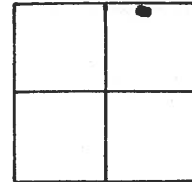
TYPE MONUMENT PK NAIL

ON SURFACE - BELOW

LEFT - PAV'T. - RIGHT

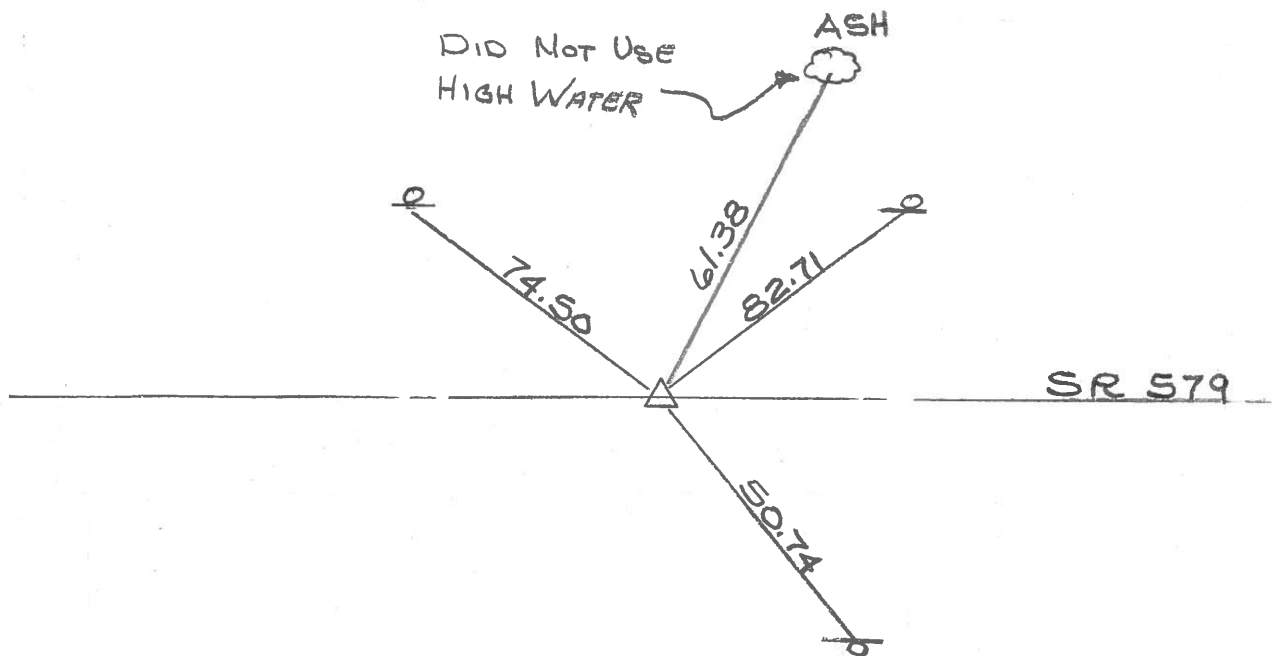
 TO EDGE PAVEMENT

S.L.M.



PT. RESET PK NAIL

9-20-77



DRAWN BY
WM. LUCE
5-7-85

PERSONNEL TITLE PERSONNEL TITLE

COUNTY Ottawa DATE 9-17-71

S. R. 579 WEATHER Fair

SEC. 5432 TEMP. 60°

DESCRIPTION Allen Twp. LEFT CENTER LINE RIGHT JOB NO.

