

O.D.O.T. DISTRICT 2 SURVEY OFFICE (USE ONLY)

PERSONNEL _____ REFERENCE NO. 10 SHEET 13 OF 36
 NOTES MILLER DATE 12/29/23 ROUTE SR 579
 H.C. RHOADES WEATHER CLOUDY COUNTY OTTAWA
 R.C. MILLER TEMP. 39° TOWNSHIP ALLEN
 DWG BY RHOADES PID PAVING TRAIN SECTION 5
 T 7 N R 13 E

TYPE MONUMENT MAG/WASHER

ON SURFACE - ~~BELOW~~ ON

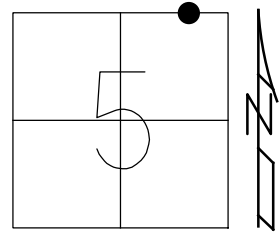
OFFSET CL PAVEMENT ON LT : RT

11.9' TO LT EDGE PAVEMENT

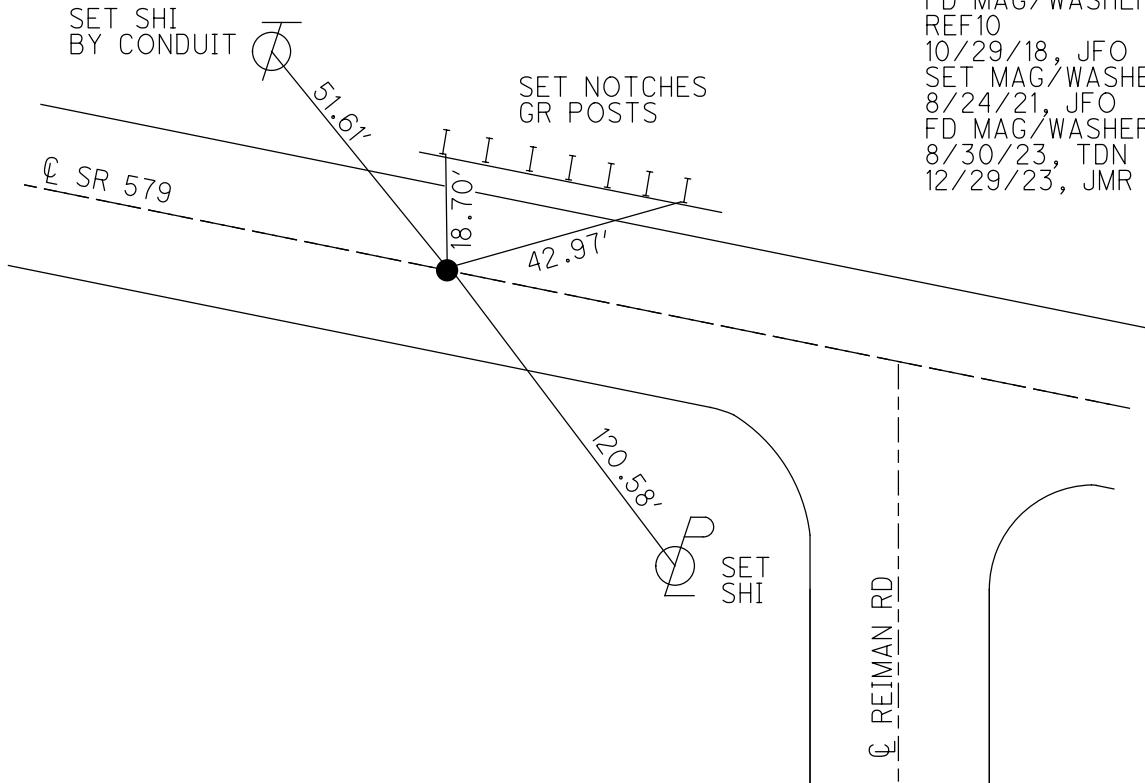
STATION: 102+32.18

HORZ. DATUM: NAD83 2011 GEOID: NAVD88 2012A

GRID: NORTHING: 706457.383 EASTING: 1728262.979



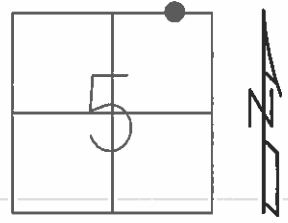
RECORD: P.C.
 SET P.K./WASHER
 9/20/77
 FD P.K./WASHER
 9/20/02, MB
 SET MAG/WASHER
 11/26/02, MB
 FD MAG/WASHER
 579REF10
 6/21/11, TMR
 FD MAG/WASHER
 REF10
 10/29/18, JFO
 SET MAG/WASHER
 8/24/21, JFO
 FD MAG/WASHER
 8/30/23, TDN
 12/29/23, JMR



O.D.O.T. DISTRICT 2 SURVEY OFFICE (USE ONLY)

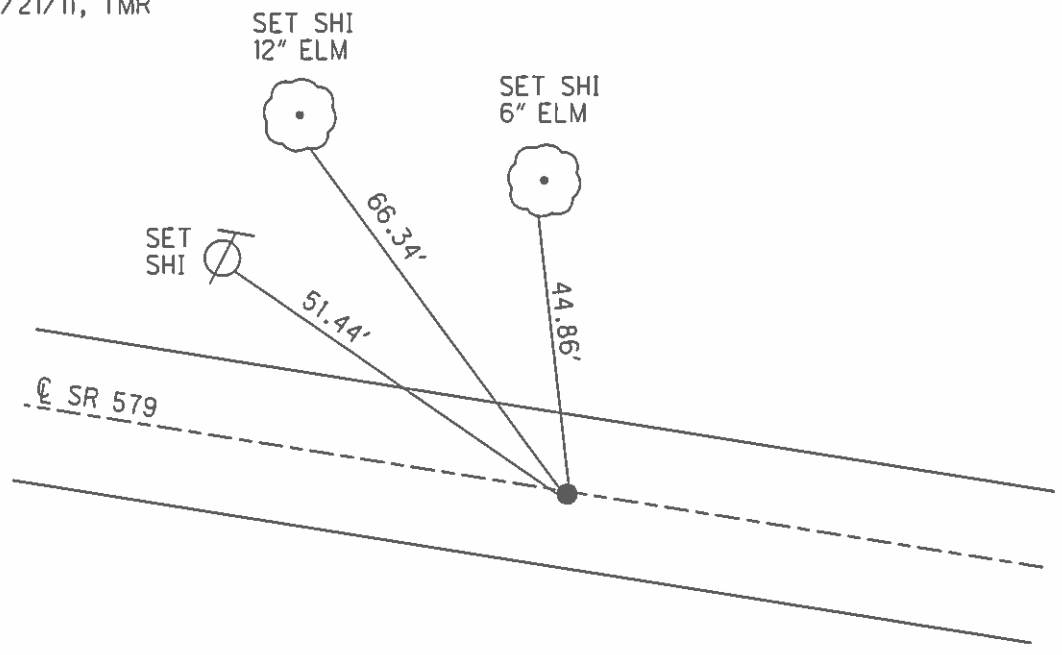
PERSONNEL	REFERENCE NO.	<u>10</u>	SHEET	<u>11</u>	OF	<u>12</u>
NOTES	FINGER	DATE	<u>6/21/11</u>	ROUTE	<u>SR 579</u>	
H.C.	<u>ROUSOS</u>	WEATHER	<u>SUNNY</u>	COUNTY	<u>OTTAWA</u>	
R.C.	<u>FINGER</u>	TEMP.	<u>91°</u>	TOWNSHIP	<u>ALLEN</u>	
				SECTION	<u>5</u>	
				T	<u>7</u>	N
				R	<u>13</u>	E

TYPE MONUMENT P.K./WASHER
 ON SURFACE - ~~BELOW~~ ON
 LEFT - ☉ PAV'T - RIGHT ON
1.0' TO RT EDGE PAVEMENT
 S.L.M. 102+35



GRID: NORTHING: 706457.543 EASTING: 1728262.808

RECORD: P.C.
 SET P.K./WASHER
 09/20/77
 FD P.K./WASHER
 09/19/02
 SET MAG/WASHER
 11/26/02, MB
 FD MAG/WASHER
 579REF10
 6/21/11, TMR



O.D.O.T. DISTRICT 2 SURVEY OFFICE (Use Only)

PERSONNEL _____

REFERENCE NO. 10

SHEET _____ OF _____

NOTES Finger

DATE 6/21/11

ROUTE SR 579

H.C. Rousos

WEATHER Sunny

COUNTY Ottawa

R.C. Finger

TEMP. 91°F

TOWNSHIP Allen

SECTION 5

T 8 N R 13 E

TYPE MONUMENT Mag Nail/Washer

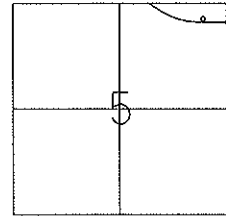
~~ON SURFACE~~ - BELOW Surface

~~LEFT~~ - C PAV'T - RIGHT 1.5" Down

1.0' TO RT EDGE PAVEMENT

S.L.M. 102+35

Grid: Northing: 706457.543 Easting: 1728262.808



Record

PC

Re-set PK Nail

9/20/11

Fd, PK/Washer

9/19/02

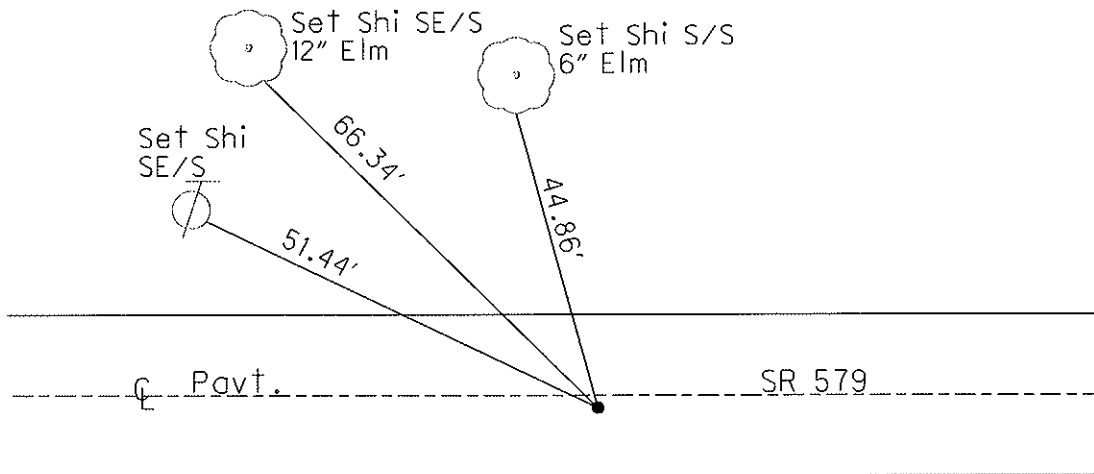
Re-set PK/Washer

11/06/02

MB

Fd. PK/Washer

6/21/11



O.D.O.T. DISTRICT 2 SURVEY OFFICE

PERSONNEL _____

REFERENCE NO. 10

SHEET 10 OF 34

NOTES BARNHISEL

H.C. CANTERBURY

R.C. _____

DATE 9-19-02

WEATHER SUNNY

TEMP. +70°

ROUTE S.R. 579

COUNTY OTTAWA

TOWNSHIP ALLEN

SECTION 5

T 8 N R 13 E

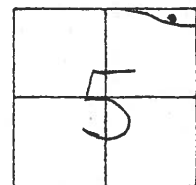
TYPE MONUMENT P.K. NAIL / WASHER

~~ON SURFACE~~ - BELOW 1.5" Down

~~LEFT - & PAV'T.~~ - RIGHT 1.0' RT &

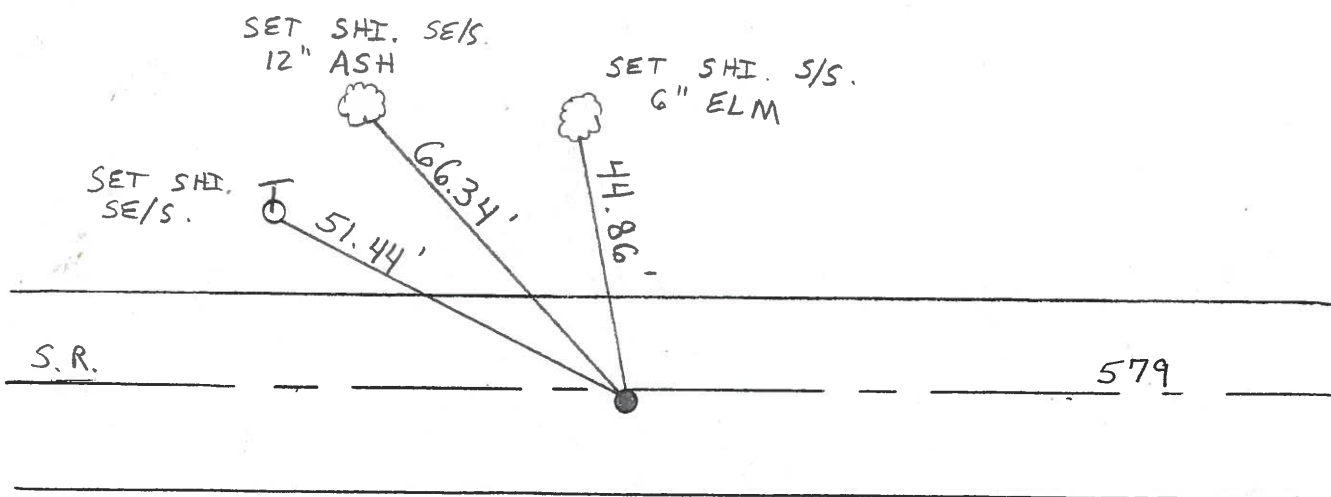
12.7' TO LT. EDGE PAVEMENT

S.L.M. 102 + 35



P.C.
Re-set P.K. Nail
9-20-77

RESET PK/WASHER
11-06-02 ✓FD
MB



GPS
579 REF 10

O.D.O.T. DISTRICT 2 SURVEY OFFICE

PERSONNEL

REFERENCE NO. 10

SHEET 10 OF 34

NOTES BARNHSEL

H.C. CANTERBURY

R.C. _____

DATE 9-19-02

WEATHER SUNNY

TEMP. + 70°

ROUTE S.R. 579

COUNTY OTTAWA

TOWNSHIP ALLEN

SECTION 5

T 8 N R 13 E

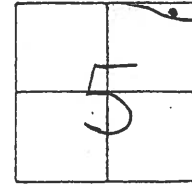
TYPE MONUMENT P.K. NAIL / WASHER

~~ON SURFACE~~ - BELOW 1.5" DOWN

~~LEFT - & PAV'T. - RIGHT~~ 1.0' RT &

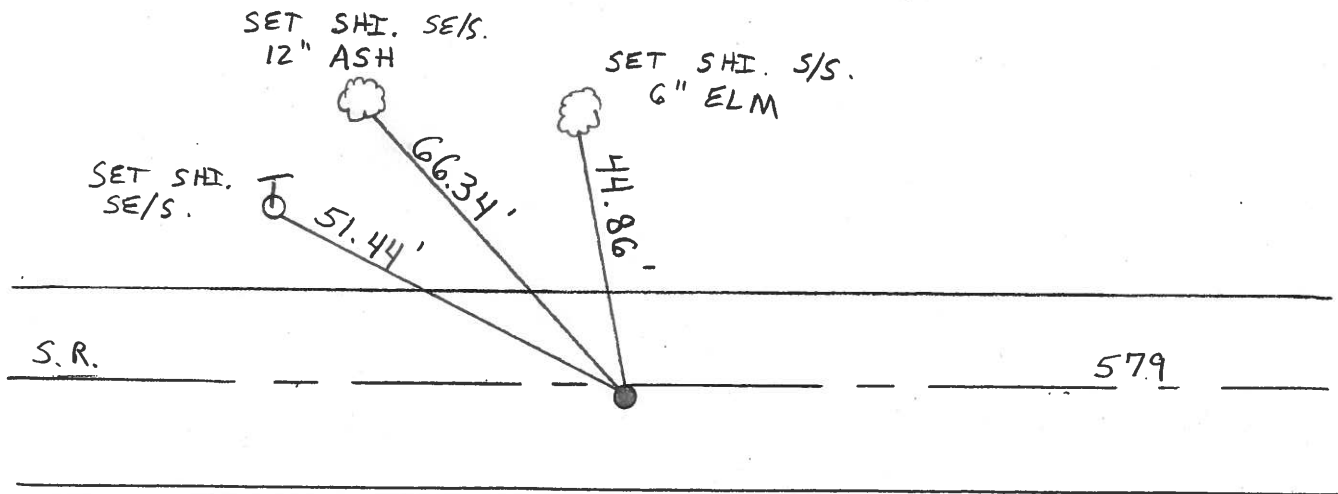
12.7' TO LT. EDGE PAVEMENT

S.L.M. 102 + 35



P.C.
Re-set P.K. Nail
9-20-77

RESET PK/WASHER
11-06-02
MB



O.D.O.T. DISTRICT 2 SURVEY OFFICE

PERSONNEL

REFERENCE NO. 10

SHEET 10 OF

NOTES CRONIN

H.C.

DATE 9-20-77

ROUTE SR 579

R.C.

WEATHER

COUNTY OTTAWA

TEMP.

TOWNSHIP ALLEN

SECTION 5

T8 N R 13 E

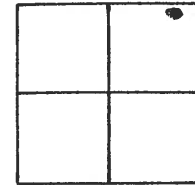
TYPE MONUMENT PK NAIL

ON SURFACE - BELOW

LEFT - ϵ PAV'T. - RIGHT

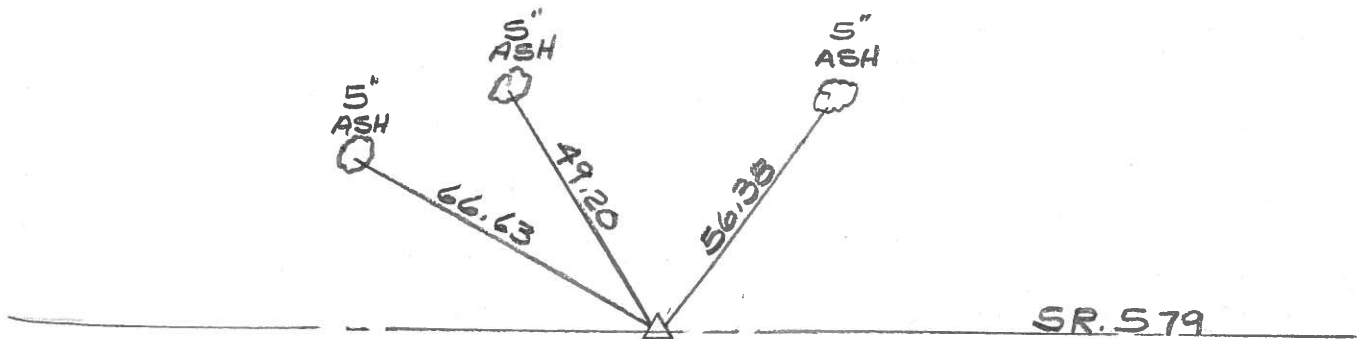
 TO EDGE PAVEMENT

S.L.M.



P.C. RESET PK NAIL

9-20-77



DRAWN BY
WM. LUCE
5-7-85

PERSONNEL TITLE PERSONNEL TITLE

COUNTY Ottawa DATE 9-17-71

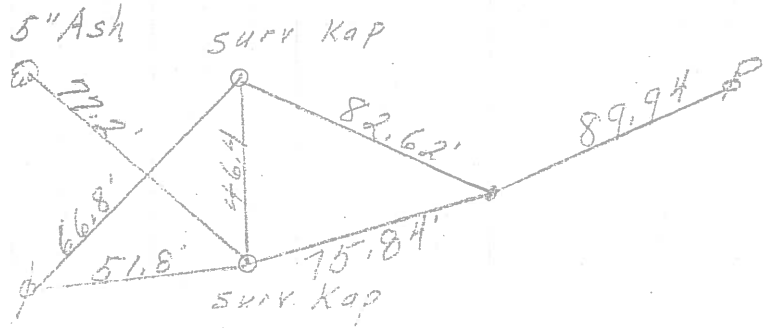
S. R. 579 WEATHER Fair

SEC. 5E32 TEMP. 60°

DESCRIPTION Allen Twp. LEFT CENTER LINE RIGHT JOB NO.

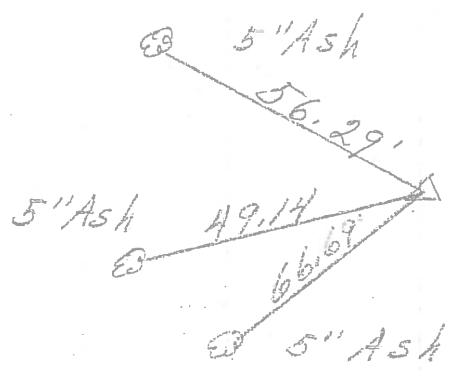
P.T.
P.K. Nail

11 Brace post



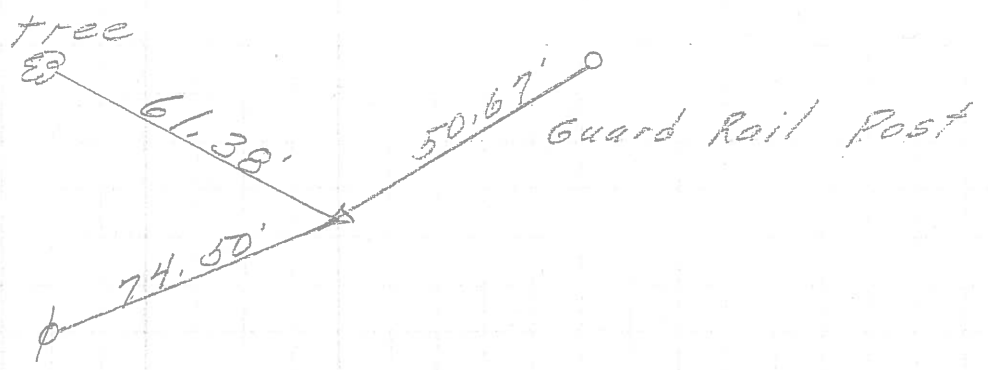
P.C.
P.K. Nail

10.



P.K. Nail

9



PERSONNEL	TITLE	PERSONNEL	TITLE	COUNTY	<u>Ottawa</u>	DATE	<u>9-17-68</u>
<u>Schneider</u>		<u>Potts</u>		S. R.	<u>579</u>	WEATHER	<u>Fair</u>
<u>Mosser</u>				SEC.	<u>Wood Co Line - East</u>	TEMP.	<u>80°</u>
<u>Barbour</u>				DESCRIPTION	<u>Ties for Control Points</u>		
<u>Redding</u>				LEFT	CENTER LINE	RIGHT	JOB NO.

