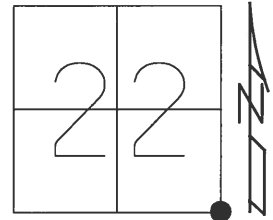


O.D.O.T. DISTRICT 2 SURVEY OFFICE (USE ONLY)

PERSONNEL _____ REFERENCE NO. 1 SHEET 1 OF 30

NOTES	<u>RHOADES</u>	DATE	<u>7/20/17</u>	ROUTE	<u>SR 590</u>
H.C.	<u>O'DONNELL</u>	WEATHER	<u>SUNNY</u>	COUNTY	<u>OTTAWA</u>
R.C.	<u>POORE</u>	TEMP.	<u>82°</u>	TOWNSHIP	<u>HARRIS</u>
				SECTION	<u>22</u>
				T	<u>6</u> N R <u>14</u> E

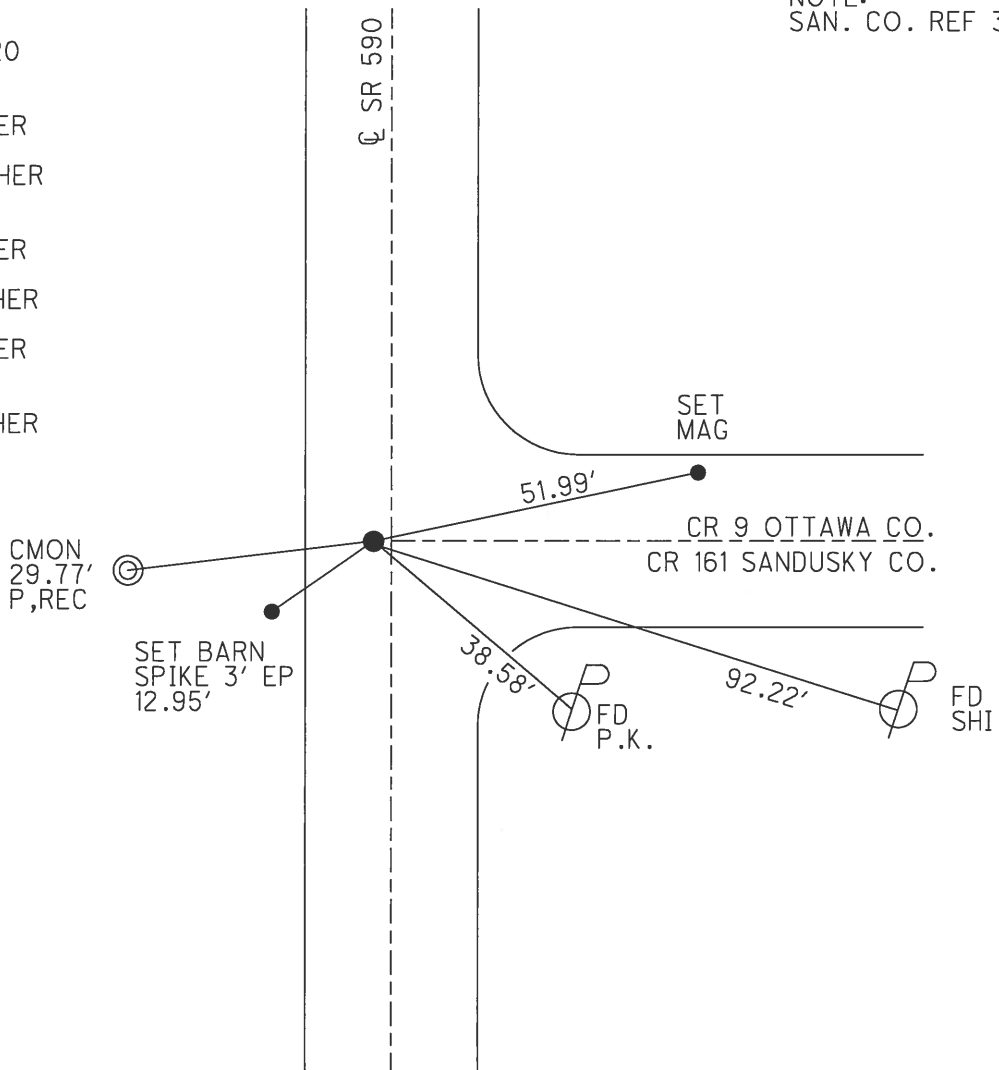
TYPE MONUMENT MAG/WASHER
 ON SURFACE - ~~BELOW~~ ON
 LEFT - ☉ PAV'T - ~~RIGHT~~ 2'
7.8' TO LT EDGE PAVEMENT
 S.L.M. 0+00



GRID: NORTHING: 653518.803 EASTING: 1770887.062

RECORD: P.I.
 1927 PLAN
 STA. 130+69.20
 FD STONE
 1973/1983
 FD P.K./WASHER
 7/5/01, BVD
 SET P.K./WASHER
 STA. 773+46
 9/4/01, BVD
 FD P.K./WASHER
 1/24/06, RGN
 SET MAG/WASHER
 5/28/09, SAH
 FD P.K./WASHER
 REF30
 3/28/16, JFO
 SET MAG/WASHER
 7/20/17, JFO
 UNCOVERED
 11/8/17, JFO

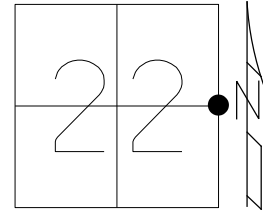
NOTE:
 SAN. CO. REF 30



O.D.O.T. DISTRICT 2 SURVEY OFFICE (USE ONLY)

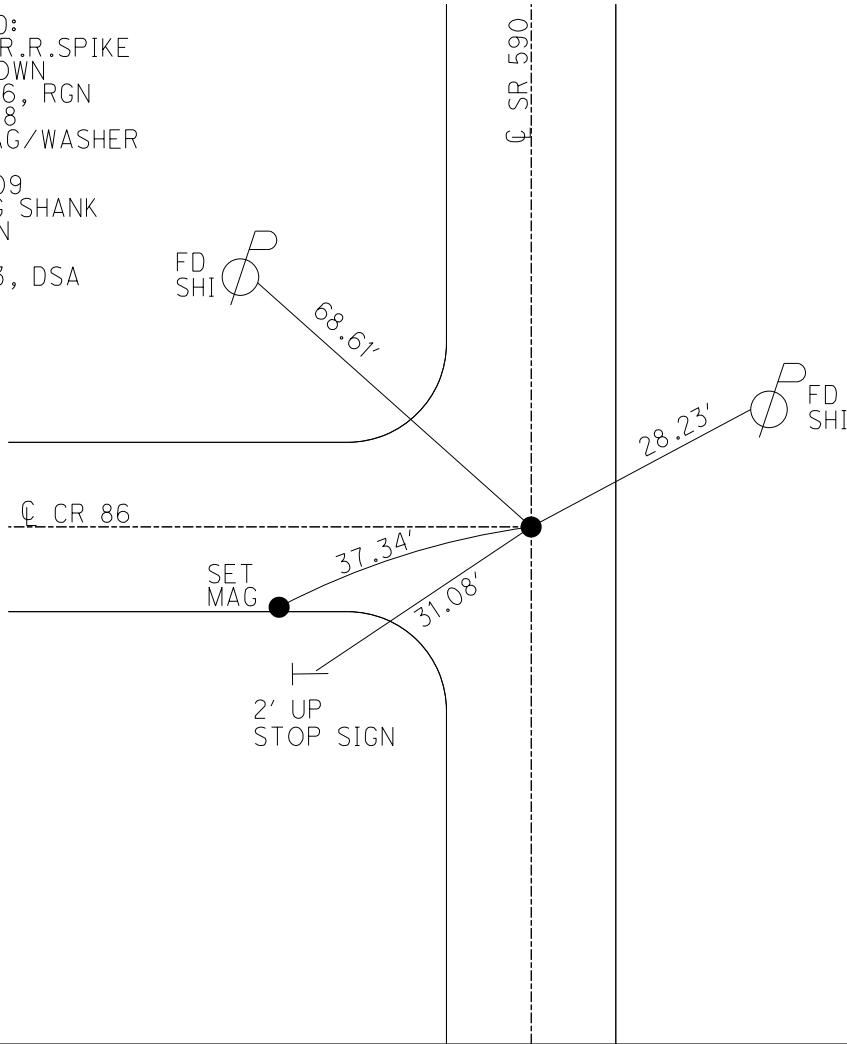
PERSONNEL _____ REFERENCE NO. 2 SHEET 2 OF 30
 NOTES RHOADES DATE 8/4/23 ROUTE SR 590
 H.C. AUBLE WEATHER SUNNY COUNTY OTTAWA
 R.C. ASTON TEMP. 84° TOWNSHIP HARRIS
 SECTION 22
 DWG BY RHOADES PID PAVETRAIN T 6 N R 14 E

TYPE MONUMENT MAG SHANK
~~ON SURFACE~~ - BELOW 1"
 OFFSET \odot PAVEMENT 3.4' LT : ~~RT~~
13.9' TO RT EDGE PAVEMENT
 STATION: 26+43.3



HORIZ.DATUM: NAD83 2011 GEOID: NAVD88 2018
 GRID: NORTHING: 656158.723 EASTING: 1770876.845

RECORD:
 FD LG R.R.SPIKE
 0.2' DOWN
 1/24/06, RGN
 7/10/08
 SET MAG/WASHER
 SV102
 5/28/09
 FD MAG SHANK
 1" DOWN
 REF2
 8/4/23, DSA



O.D.O.T. DISTRICT 2 SURVEY OFFICE (USE ONLY)

PERSONNEL _____ REFERENCE NO. 3 SHEET 3 OF 30

NOTES RHOADES DATE 8/4/23 ROUTE SR 590

H.C. AUBLE WEATHER SUNNY COUNTY OTTAWA

R.C. ASTON TEMP. 84° TOWNSHIP HARRIS

SECTION 22

DWG BY RHOADES PID PAVETRAIN T 6 N R 14 E

TYPE MONUMENT MAG/WASHER

ON SURFACE - ~~BELOW~~ ON

OFFSET \perp PAVEMENT 2' LT : ~~RT~~

9.1' TO LT EDGE PAVEMENT

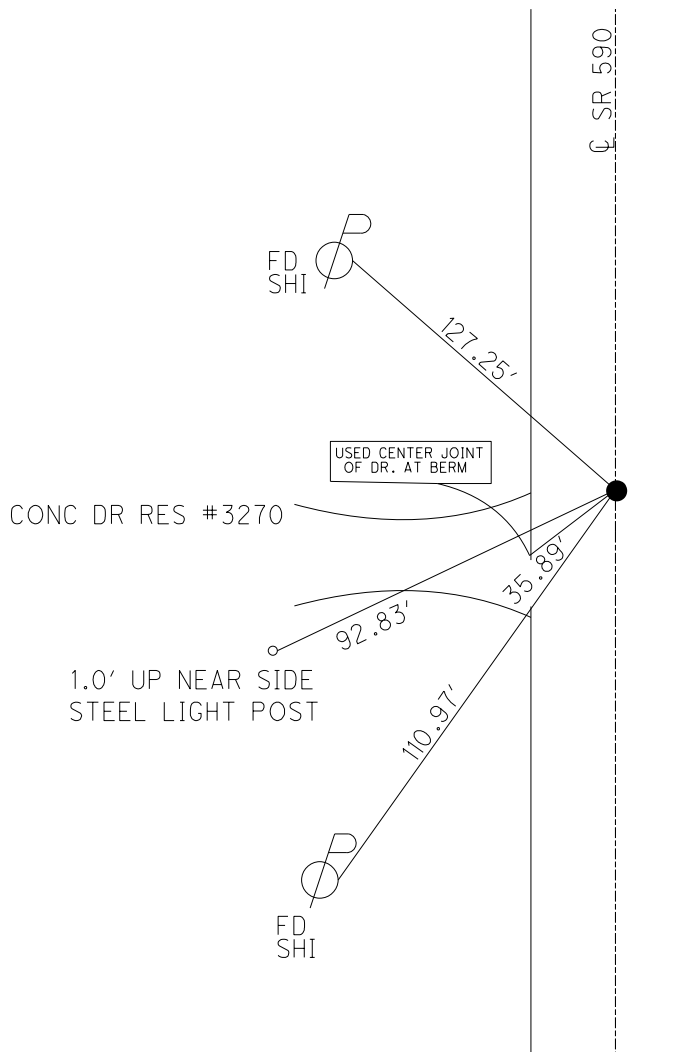
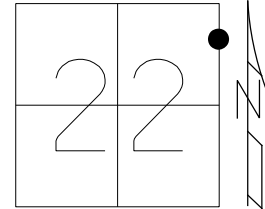
STATION: 39+70

HORIZ.DATUM: NAD83 2011

GEOID: NAVD88 2018

GRID: NORTHING: 657478.143

EASTING: 1770873.866

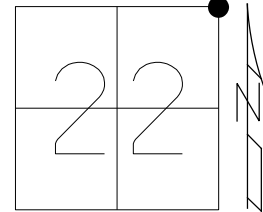


RECORD:
FD P.K./WASHER
0.1' DOWN
7/10/08
SET MAG/WASHER
SV103
5/28/09, SAH
FD MAG/WASHER
REF3
8/4/23, DSA

O.D.O.T. DISTRICT 2 SURVEY OFFICE (USE ONLY)

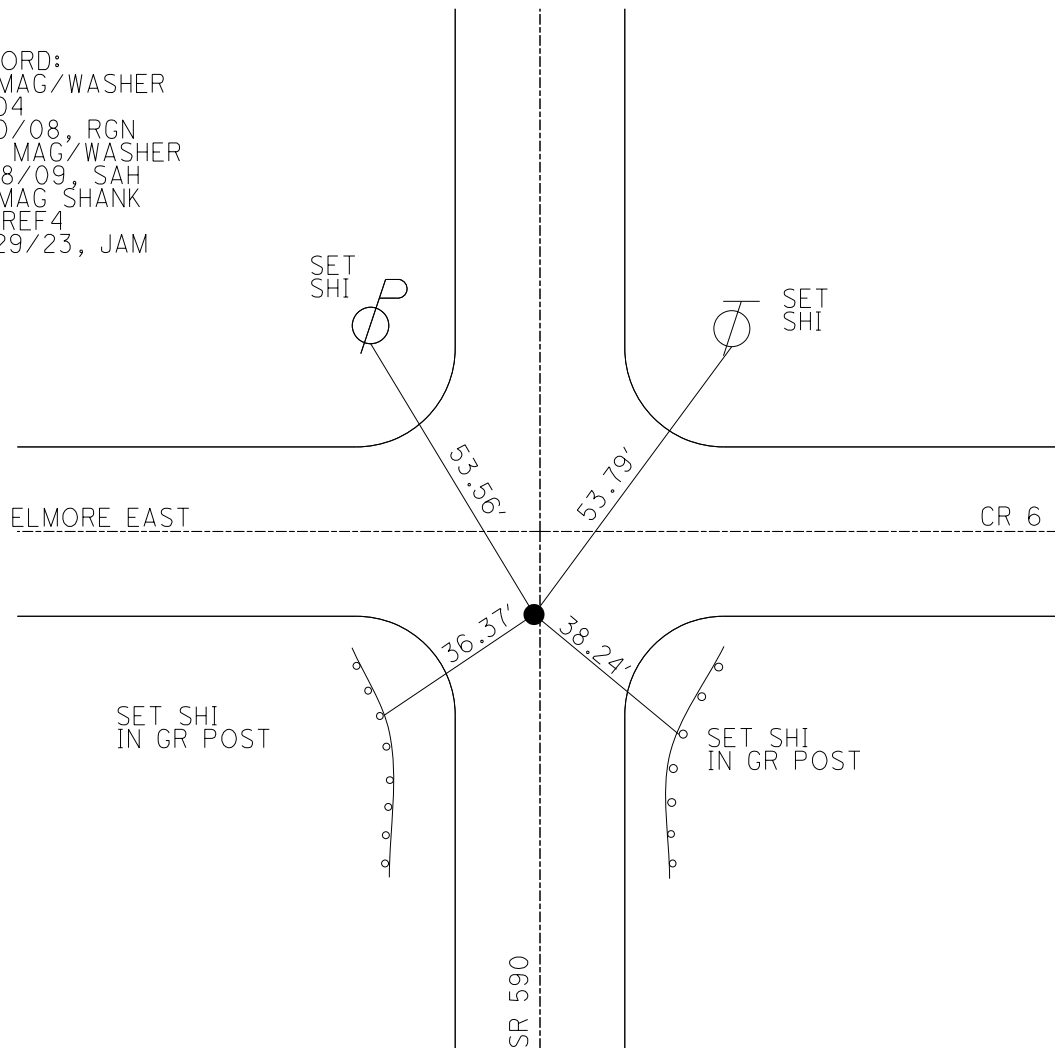
PERSONNEL _____ REFERENCE NO. 4 SHEET 4 OF 30
 NOTES RHOADES DATE 12/29/23 ROUTE SR 590
 H.C. MILLER WEATHER CLOUDY COUNTY OTTAWA
 R.C. RHOADES TEMP. 40° TOWNSHIP HARRIS
 _____ SECTION 22
 DWG BY RHOADES PID PAVETRAIN T 6 N R 14 E

TYPE MONUMENT MAG SHANK
~~ON SURFACE~~ - BELOW ON
 OFFSET Q PAVEMENT 1.6' LT : ~~RT~~
- TO - EDGE PAVEMENT
 STATION: 52+82



HORIZ.DATUM: NAD83 2011 GEOID: NAVD88 2018
 GRID: NORTHING: 658796.238 EASTING: 1770866.606

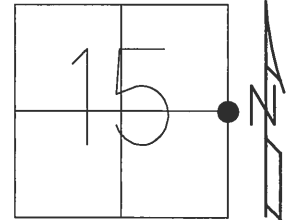
RECORD:
 FD MAG/WASHER
 SV104
 7/10/08, RGN
 SET MAG/WASHER
 5/28/09, SAH
 FD MAG SHANK
 NEWREF4
 12/29/23, JAM



O.D.O.T. DISTRICT 2 SURVEY OFFICE (USE ONLY)

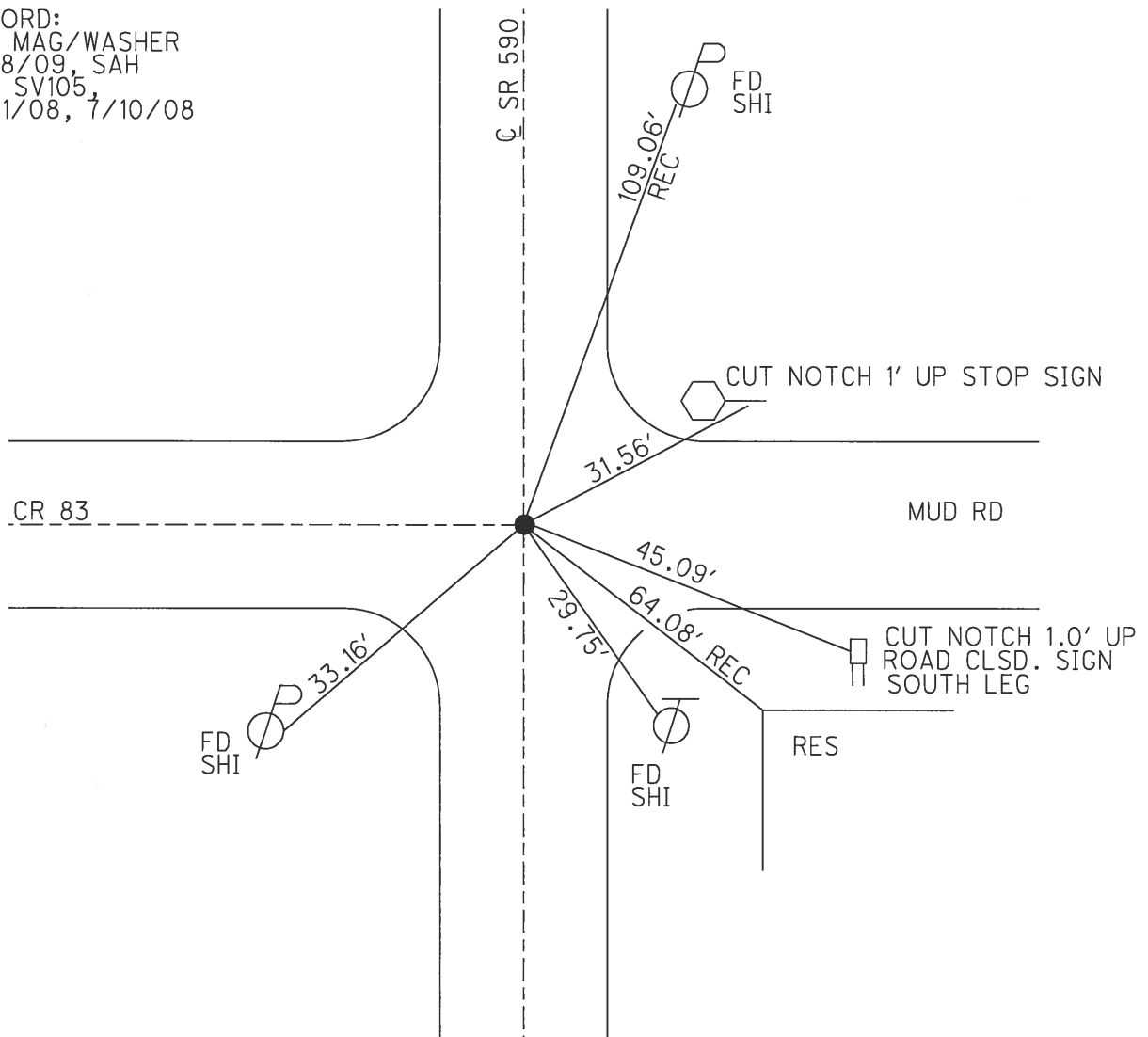
PERSONNEL	REFERENCE NO.	5	SHEET	5	OF	30
NOTES	HUSS	DATE	1/24/06	ROUTE	SR 590	
H.C.	MATT H	WEATHER	CLDY/WINDY	COUNTY	OTTAWA	
R.C.	RYAN H	TEMP.	29°	TOWNSHIP	HARRIS	
	NUHFER			SECTION	15	
				T	6	N
				R	14	E

TYPE MONUMENT _____ P.K./WASHER _____
 ON SURFACE - ~~BELOW~~ _____ ON _____
~~LEFT~~ - \odot PAV'T - ~~RIGHT~~ _____ ON _____
 _____ 10' TO RT EDGE PAVEMENT
 S.L.M. _____ 78+90.7 _____



GRID: NORTHING: 661411.611 EASTING: 1770863.152

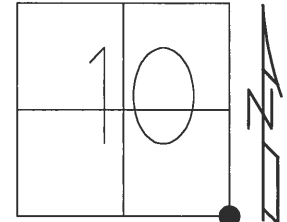
RECORD:
 SET MAG/WASHER
 5/28/09, SAH
 GPS SV105,
 7/01/08, 7/10/08



O.D.O.T. DISTRICT 2 SURVEY OFFICE (USE ONLY)

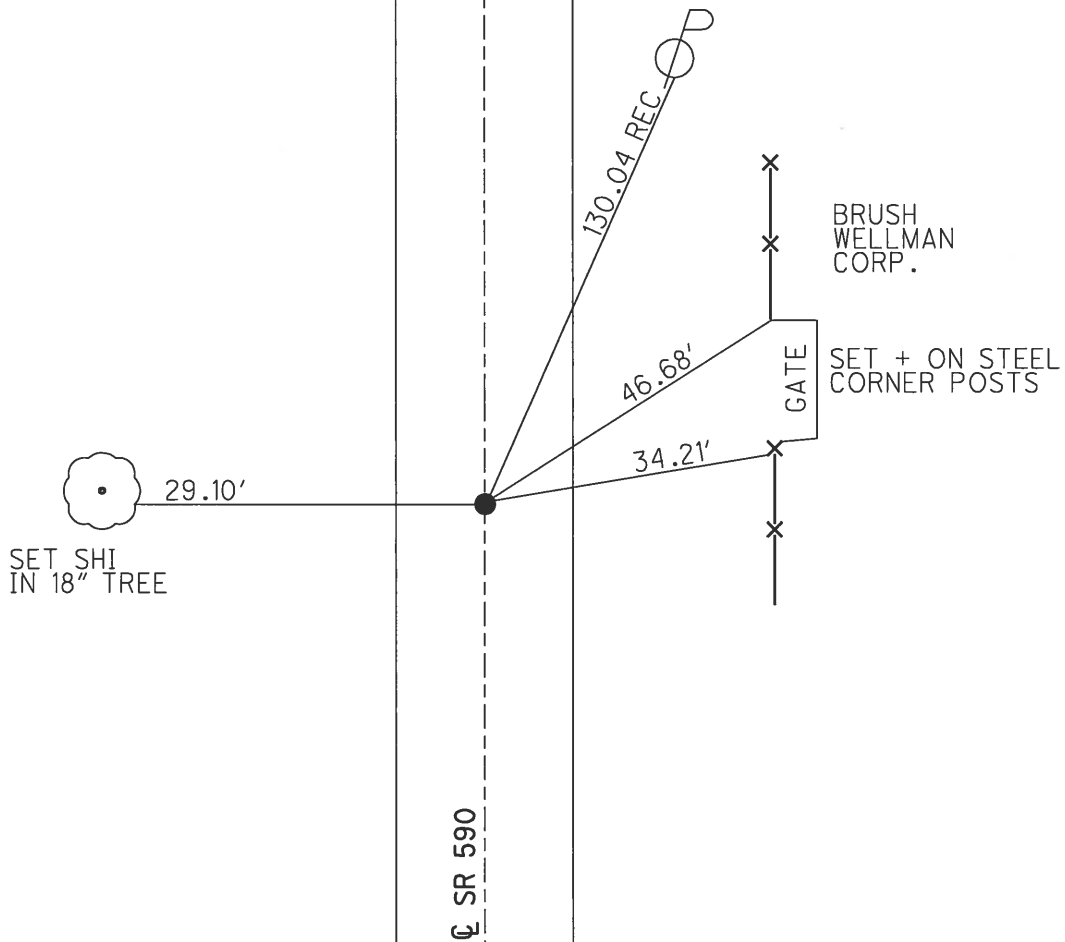
PERSONNEL _____ REFERENCE NO. 6 SHEET 6 OF 30
 NOTES HUSS DATE 1/24/06 ROUTE SR 590
 H.C. MATT H WEATHER CLDY/WINDY COUNTY OTTAWA
 R.C. RYAN H TEMP. 29° TOWNSHIP HARRIS
 _____ SECTION 10
 _____ T 6 N R 14 E

TYPE MONUMENT _____ P.K./WASHER _____
 ON SURFACE - ~~BELOW~~ _____ ON _____
 LEFT - ☉ PAV'T - ~~RIGHT~~ _____ 0.6' _____
11.0' TO RT EDGE PAVEMENT
 S.L.M. _____ 105+65 _____



GRID: NORTHING: 664045.906 EASTING: 1770856.022

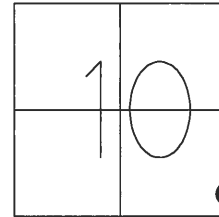
RECORD:
 SET MAG/WASHER
 6/09/09, SAH
 GPS SV106,
 7/01/08, 7/10/08



O.D.O.T. DISTRICT 2 SURVEY OFFICE (USE ONLY)

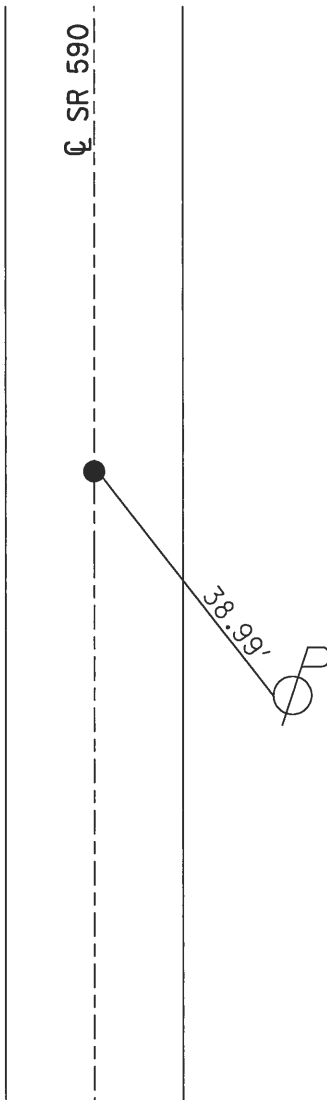
PERSONNEL _____ REFERENCE NO. 7 SHEET 7 OF 30
NOTES HUSS DATE 1/24/06 ROUTE SR 590
H.C. MATT H WEATHER CLDY/WINDY COUNTY OTTAWA
R.C. RYAN H TEMP. 29° TOWNSHIP HARRIS
NUHFER SECTION 10
T 6 N R 14 E

TYPE MONUMENT P.K. NAIL
~~ON SURFACE~~ - BELOW BELOW
LEFT - ☉ PAV'T - ~~RIGHT~~ 1.0'
- TO - EDGE PAVEMENT
S.L.M. 115+55



GRID: NORTHING: - EASTING: -

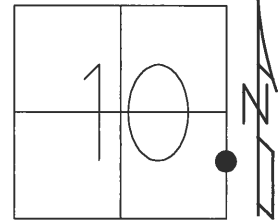
RECORD: T.S.
DNF
1/27/06, SAH
DNF
P.P WITH SHI FD
11/14/91
DNF POINT



O.D.O.T. DISTRICT 2 SURVEY OFFICE (USE ONLY)

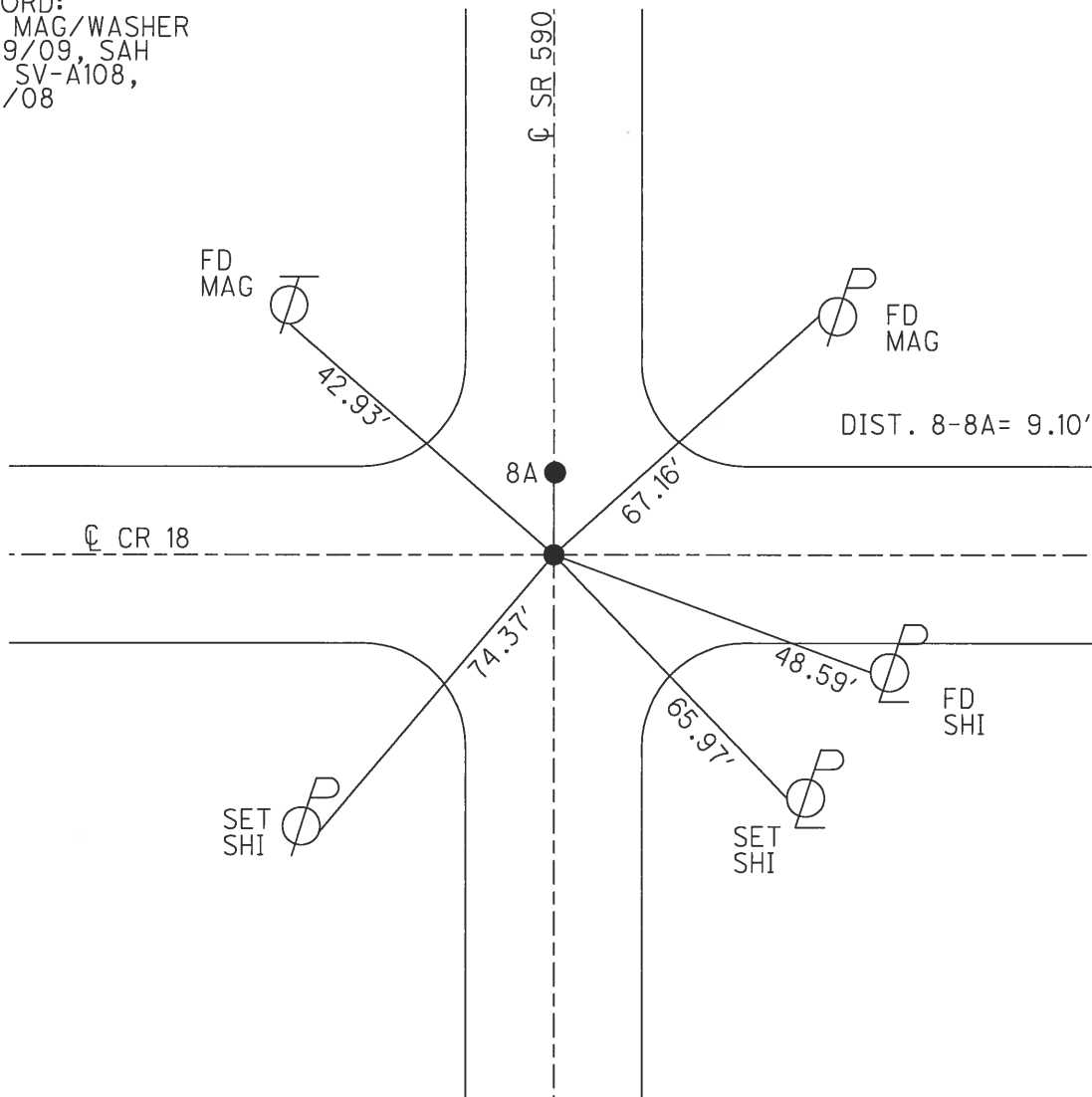
PERSONNEL	REFERENCE NO.	<u>8</u>	SHEET	<u>8</u>	OF	<u>30</u>
NOTES	<u>HUSS</u>	DATE	<u>1/27/06</u>	ROUTE	<u>SR 590</u>	
H.C.	<u>NUHFER</u>	WEATHER	<u>CLEAR</u>	COUNTY	<u>OTTAWA</u>	
R.C.	<u>RYAN H</u>	TEMP.	<u>30°</u>	TOWNSHIP	<u>HARRIS</u>	
				SECTION	<u>10</u>	
				T	<u>6</u>	N
				R	<u>14</u>	E

TYPE MONUMENT P.K./WASHER
 ON SURFACE - BELOW 0.2'
 LEFT - ☉ PAV'T - RIGHT 4.1'
 TO - EDGE PAVEMENT
 S.L.M. 117+92.20



GRID: NORTHING: 665247.774 EASTING: 1770851.704

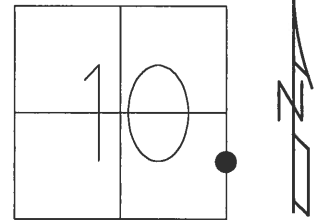
RECORD:
 SET MAG/WASHER
 6/09/09, SAH
 GPS SV-A108,
 8/11/08



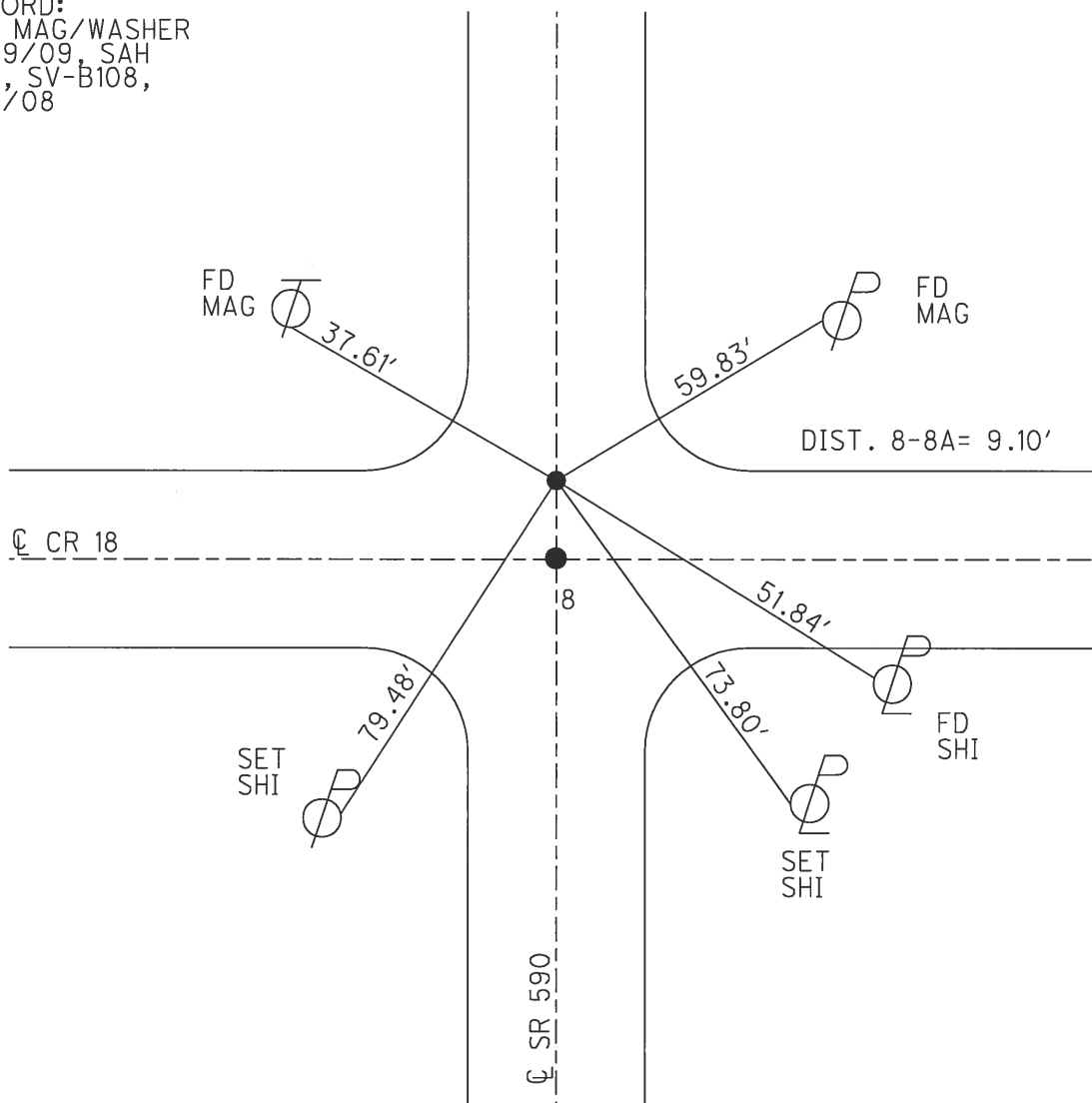
O.D.O.T. DISTRICT 2 SURVEY OFFICE (USE ONLY)

PERSONNEL _____ REFERENCE NO. 8A SHEET 9 OF 30
 NOTES HUSS DATE 1/27/06 ROUTE SR 590
 H.C. NUHFER WEATHER CLEAR COUNTY OTTAWA
 R.C. RYAN H TEMP. 30° TOWNSHIP HARRIS
 SECTION 10
 T 6 N R 14 E

TYPE MONUMENT P.K. SHANK
~~ON SURFACE~~ - BELOW 0.3'
 LEFT - ☉ PAV'T - RIGHT 4.4'
 - TO - EDGE PAVEMENT
 S.L.M. 118+01.30
 GRID: NORTHING: _____ EASTING: _____



RECORD:
 SET MAG/WASHER
 6/09/09, SAH
 GPS, SV-B108,
 8/11/08



O.D.O.T. DISTRICT 2 SURVEY OFFICE (USE ONLY)

PERSONNEL

REFERENCE NO. 13

SHEET 10 OF 30

NOTES HUSS DATE 1/27/06
 H.C. NUHFER WEATHER CLEAR
 R.C. RYAN H. TEMP. 31°

ROUTE SR 590
 COUNTY OTTAWA
 TOWNSHIP HARRIS
 SECTION 10
T 6 N R 14 E

DWG BY _____ PID PAVE TRAIN

TYPE MONUMENT P.K./WASHER

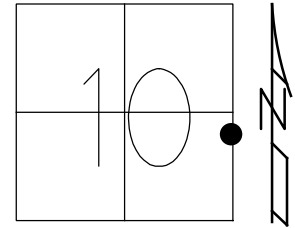
ON SURFACE - ~~BELOW~~ ON _____

OFFSET C PAVEMENT 9.28' LT : ~~RT~~
 - TO - EDGE PAVEMENT

STATION: 129+37.3

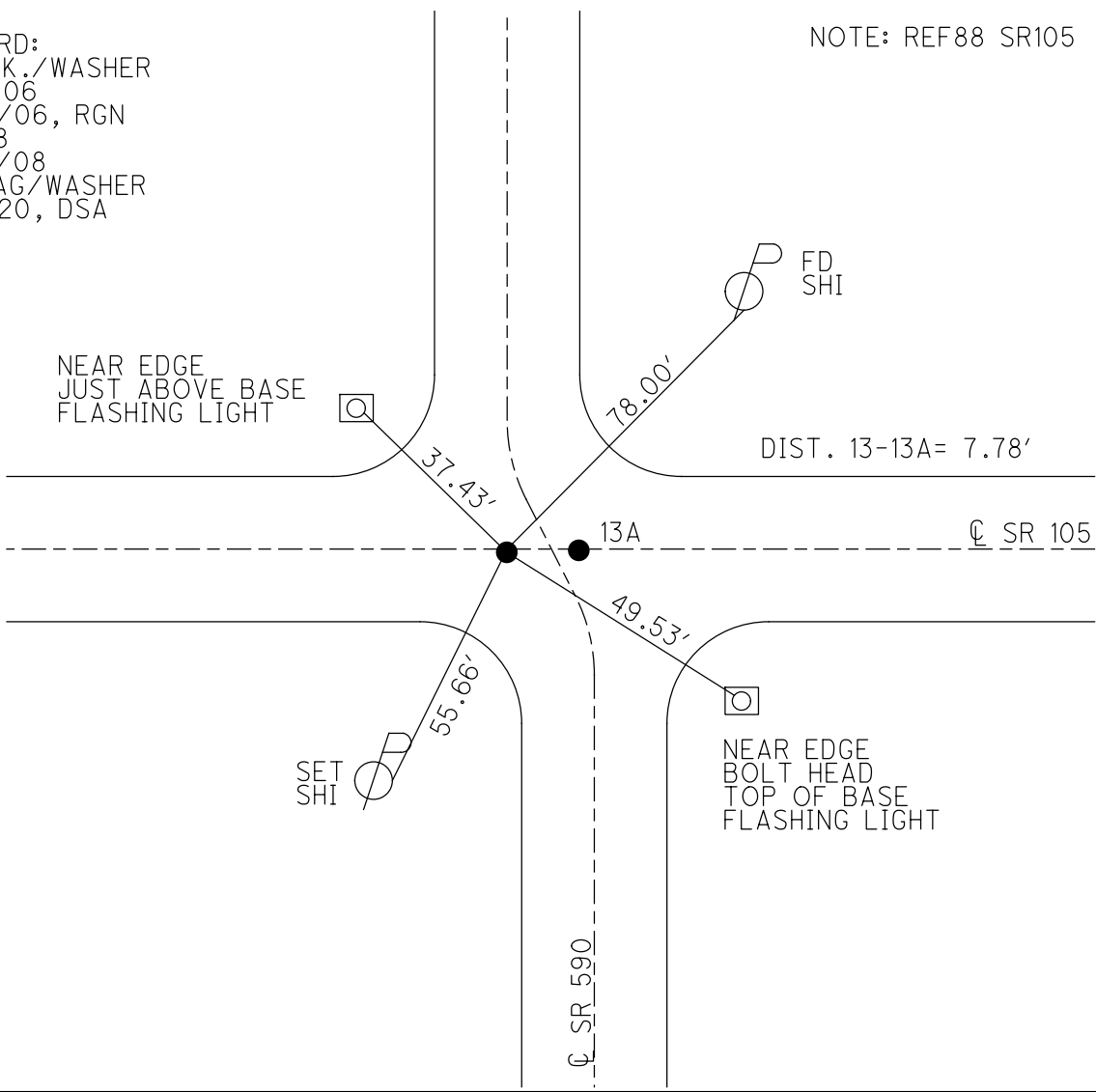
HORZ.DATUM: NAD83 2001 GEOID: 2012A

GRID: NORTHING: 666370.765 EASTING: 1770718.274



RECORD:
 FD P.K./WASHER
 1/27/06
 12/01/06, RGN
 SVA88
 8/04/08
 FD MAG/WASHER
 7-31-20, DSA

NOTE: REF88 SR105



O.D.O.T. DISTRICT 2 SURVEY OFFICE (USE ONLY)

PERSONNEL _____ REFERENCE NO. 13 A SHEET 11 OF 30
 NOTES HUSS DATE 1/27/06 ROUTE SR 590
 H.C. NUHFER WEATHER CLEAR COUNTY OTTAWA
 R.C. RYAN H. TEMP. 31° TOWNSHIP HARRIS
 DWG BY RHOADES PID PAVING TRAIN SECTION 10
 T 6 N R 14 E

TYPE MONUMENT P.K./WASHER

ON SURFACE - ~~BELOW~~ ON

OFFSET CL PAVEMENT 1.5' LT : ~~RT~~

- TO - EDGE PAVEMENT

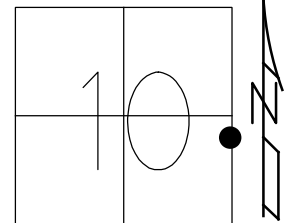
STATION: 129+37.3

HORIZ.DATUM: NAD83 2011

GEOID: 2012A

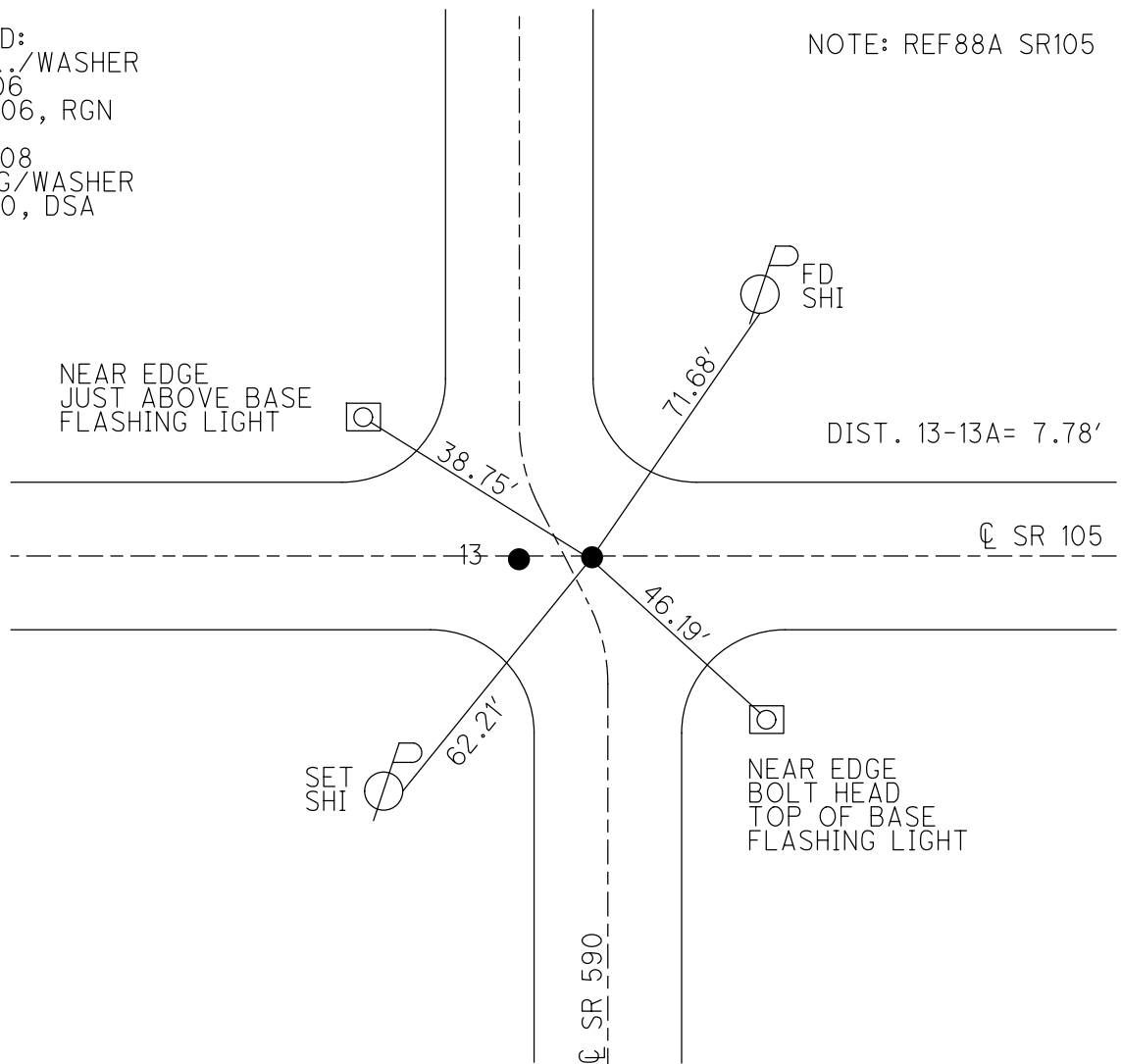
GRID: NORTHING: 666372.317

EASTING: 1770725.868



RECORD:
 FD P.K./WASHER
 1/27/06
 12/01/06, RGN
 SVB88
 8/04/08
 FD MAG/WASHER
 7-31-20, DSA

NOTE: REF88A SR105

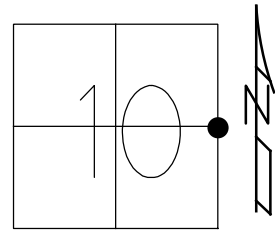


O.D.O.T. DISTRICT 2 SURVEY OFFICE (USE ONLY)

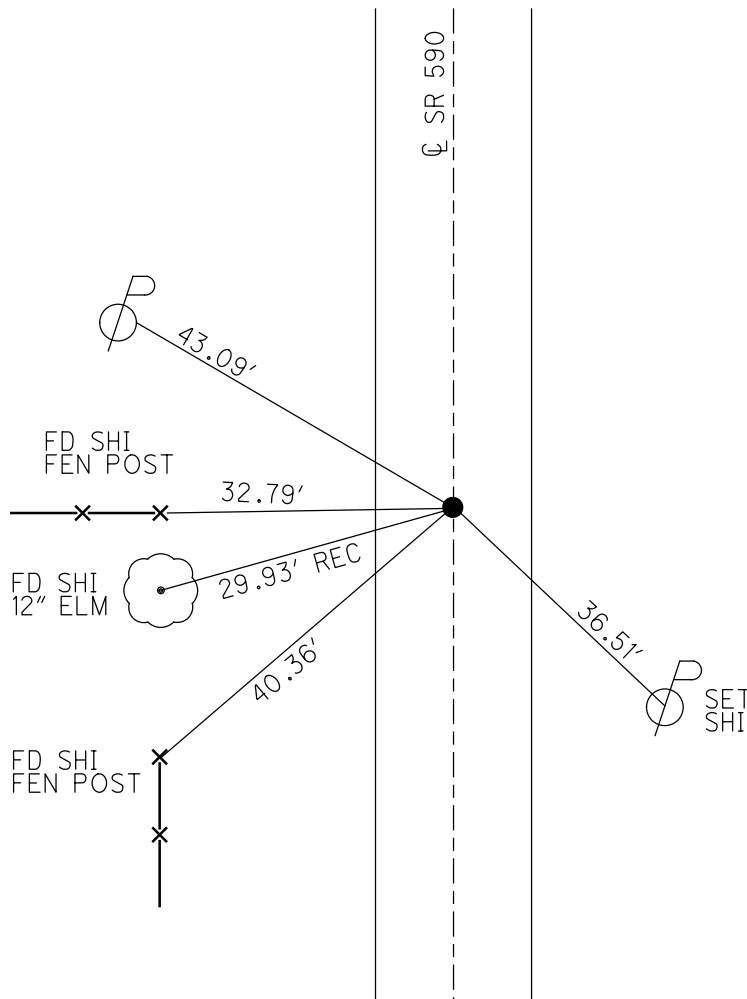
PERSONNEL _____ REFERENCE NO. 14 SHEET 12 OF 30
 NOTES GARRETT DATE 7/31/20 ROUTE SR 590
 H.C. AUBLE WEATHER SUNNY COUNTY OTTAWA
 R.C. MAHLER TEMP. 72° TOWNSHIP HARRIS
 DWG BY RHOADES PID PAVING TRAIN SECTION 10
 T 6 N R 14 E

TYPE MONUMENT MAG/WASHER
 ON SURFACE - ~~BELOW~~ ON
 OFFSET CL PAVEMENT 4.4' LT : ~~RT~~
5.5' TO LT EDGE PAVEMENT
 STATION: 133+93.3

HORZ.DATUM: NAD83 2011 GEOID: 2012A
 GRID: NORTHING: 666826.561 EASTING: 1770716.122



RECORD:
 FD P.K./WASHER
 1/27/06, RGN
 FD P.K./WASHER
 SV114
 8/11/08, MC
 SET MAG/WASHER
 6/09/09, SAH
 FD MAG/WASHER
 REF14
 7/31/20, DSA

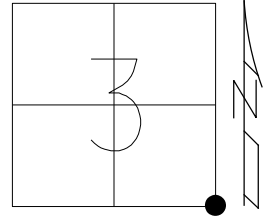


O.D.O.T. DISTRICT 2 SURVEY OFFICE (USE ONLY)

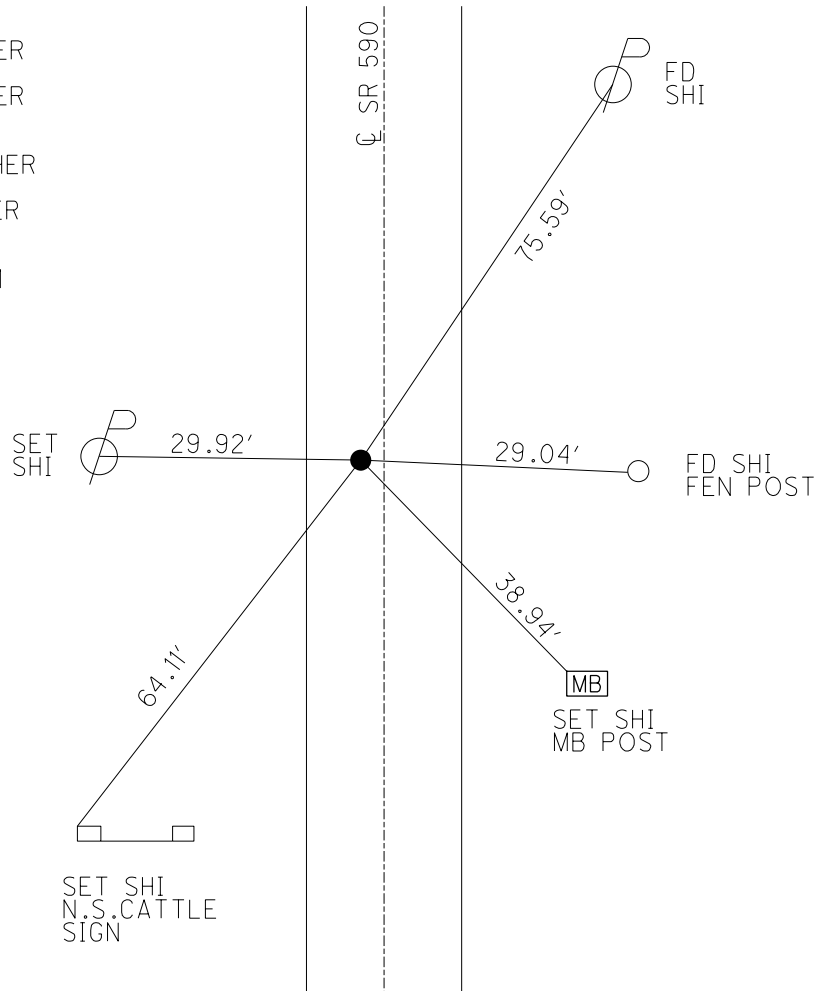
PERSONNEL _____ REFERENCE NO. 15 SHEET 13 OF 30
 NOTES RHOADES DATE 12/29/23 ROUTE SR 590
 H.C. MILLER WEATHER CLOUDY COUNTY OTTAWA
 R.C. RHOADES TEMP. 40° TOWNSHIP HARRIS
 DWG BY RHOADES PID PAVETRAIN SECTION 22
 T 6 N R 14 E

TYPE MONUMENT MAG/WASHER
 ON SURFACE - ~~BELOW~~ ON
 OFFSET Q PAVEMENT 4.3' LT : ~~RT~~
5.1' TO LT EDGE PAVEMENT
 STATION: 160+33.2

HORIZ.DATUM: NAD83 2011 GEOID: NAVD88 2018
 GRID: NORTHING: 669462.337 EASTING: 1770703.316



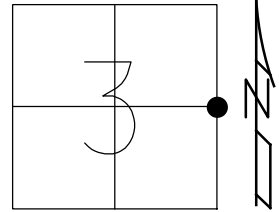
RECORD:
 FD P.K./WASHER
 1/27/06, RGN
 FD P.K./WASHER
 SV115
 8/11/08, MC
 SET MAG/WASHER
 6/9/09, SAH
 FD MAG/WASHER
 REF 15
 7/31/20, DSA
 12/29/23, JAM



O.D.O.T. DISTRICT 2 SURVEY OFFICE (USE ONLY)

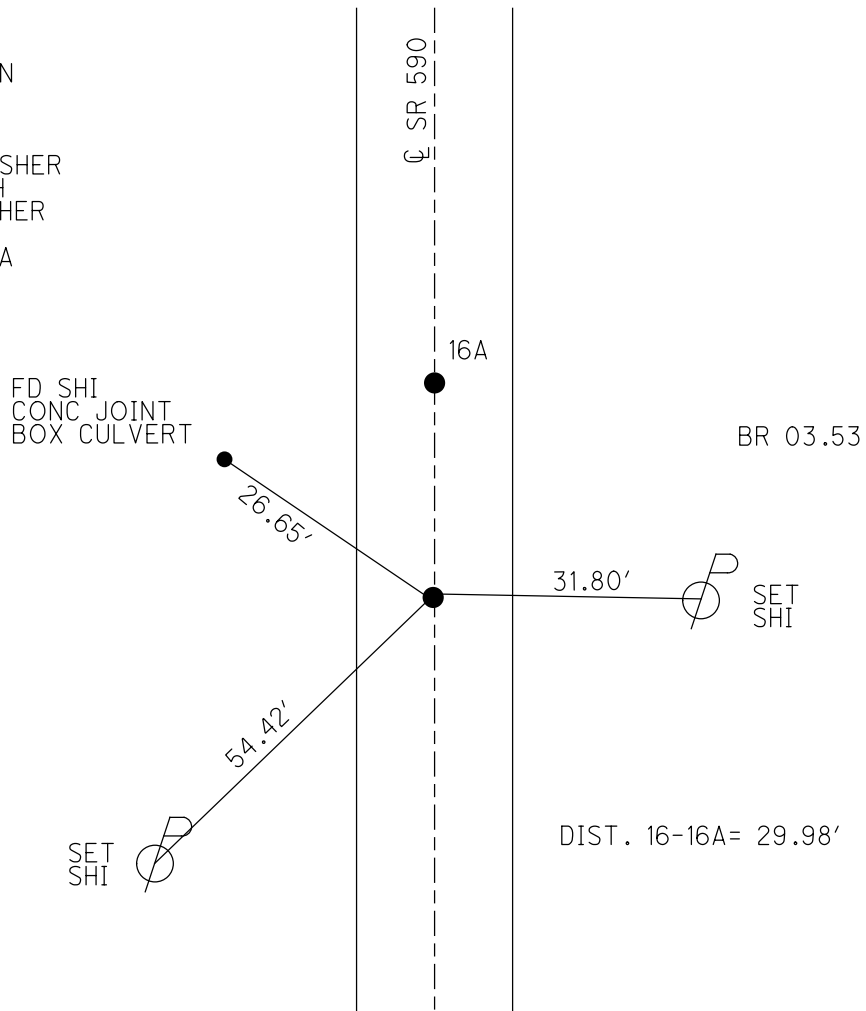
PERSONNEL _____ REFERENCE NO. 16 SHEET 14 OF 30
 NOTES GARRETT DATE 7/31/20 ROUTE SR 590
 H.C. AUBLE WEATHER SUNNY COUNTY OTTAWA
 R.C. MAHLER TEMP. 72° TOWNSHIP HARRIS
 SECTION 3
 DWG BY RHOADES PID PAVING TRAIN T 6 N R 14 E

TYPE MONUMENT MAG/WASHER
 ON SURFACE - ~~BELOW~~ ON
 OFFSET CL PAVEMENT 0.5' LT : ~~RT~~
9.3' TO LT EDGE PAVEMENT
 STATION: 186+79.6



HORZ. DATUM: NAD83 2011 GEOID: 2012A
 GRID: NORTHING: 672073.088 EASTING: 1770703.073

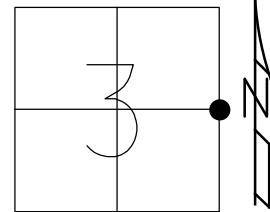
RECORD:
 FD MAG NAIL
 1/27/06, RGN
 FD MAG NAIL
 SVB116
 8/11/08, MC
 SET MAG/WASHER
 6/9/09, SAH
 FD MAG/WASHER
 REF16
 7/31/20, DSA



O.D.O.T. DISTRICT 2 SURVEY OFFICE (USE ONLY)

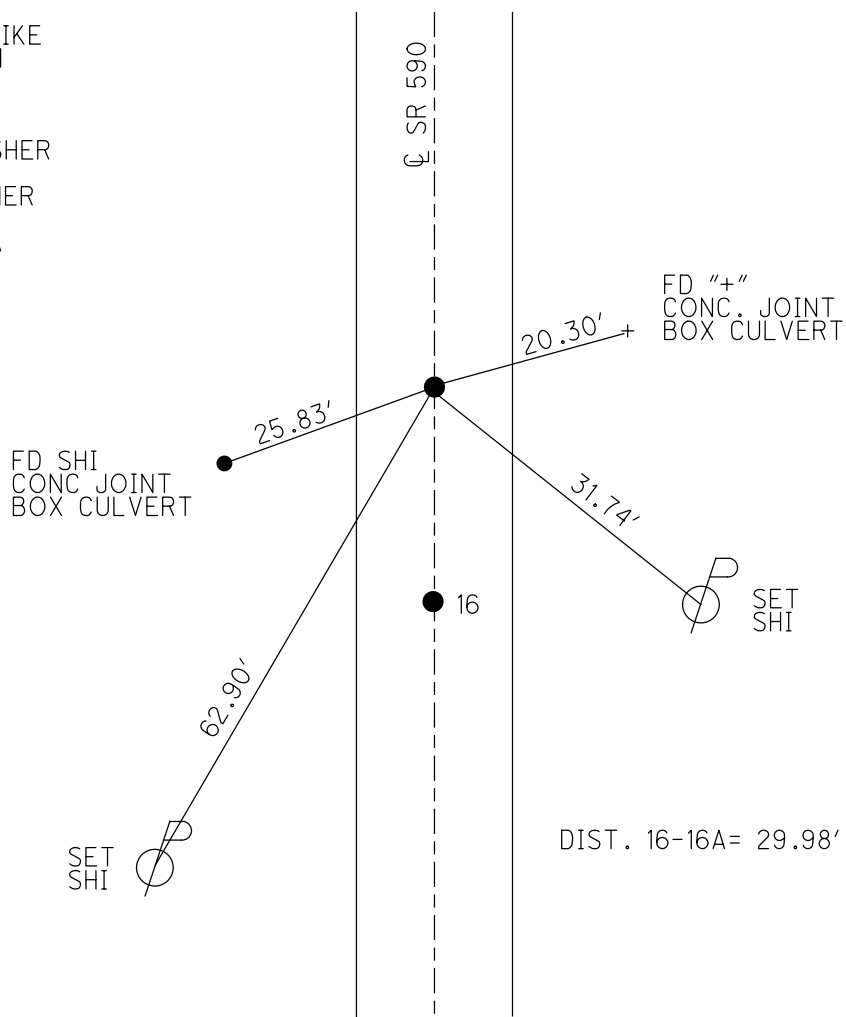
PERSONNEL _____ REFERENCE NO. 16 A SHEET 15 OF 30
 NOTES GARRETT DATE 7/31/20 ROUTE SR 590
 H.C. AUBLE WEATHER SUNNY COUNTY OTTAWA
 R.C. MAHLER TEMP. 72° TOWNSHIP HARRIS
 SECTION 3
 DWG BY RHOADES PID PAVING TRAIN T 6 N R 14 E

TYPE MONUMENT MAG/WASHER
 ON SURFACE - ~~BELOW~~ ON
 OFFSET 0.3' LT : ~~RT~~
9.2' TO LT EDGE PAVEMENT
 STATION: 186+79.6



HORIZ.DATUM: NAD83 2011 GEOID: 2012A
 GRID: NORTHING: 672103.156 EASTING: 1770703.036

RECORD:
 FD LG.R.R.SPIKE
 1/27/06, RGN
 FD R.R.SPIKE
 SVA116
 8/11/08, MC
 SET MAG/WASHER
 6/9/09, SAH
 FD MAG/WASHER
 REFA16
 7/31/20, DSA

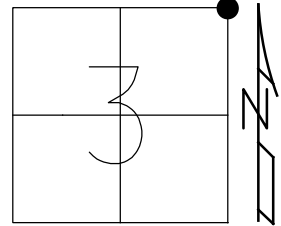


O.D.O.T. DISTRICT 2 SURVEY OFFICE (USE ONLY)

PERSONNEL _____ REFERENCE NO. 17 SHEET 16 OF 30

NOTES RHOADES _____ DATE 5/15/13 ROUTE SR 590
 H.C. CODER _____ WEATHER WINDY COUNTY OTTAWA
 R.C. ROUSOS _____ TEMP. 78° TOWNSHIP HARRIS
 _____ SECTION 3
 _____ T 6 N R 14 E

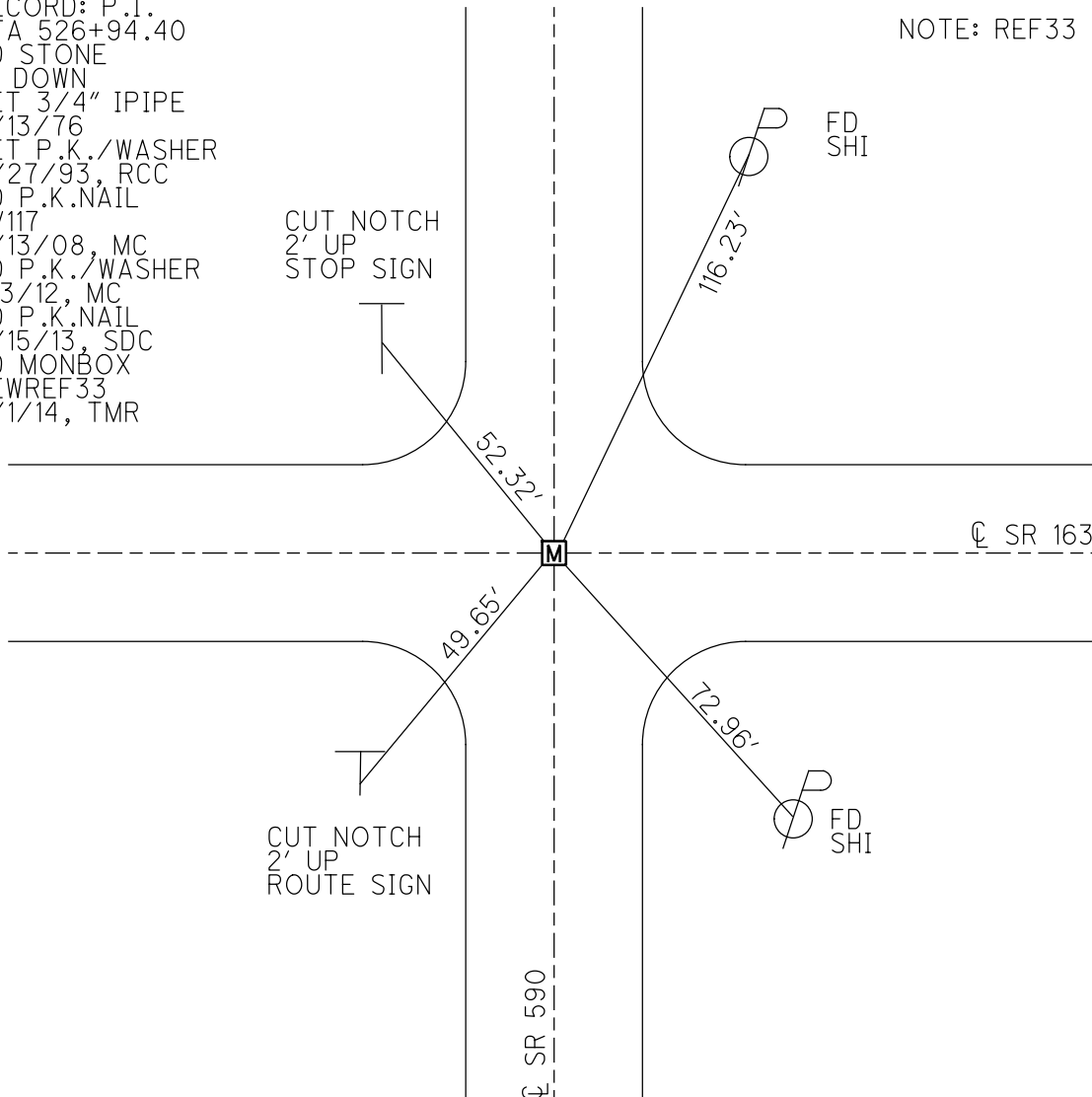
TYPE MONUMENT _____ MONBOX _____
 ON SURFACE - ~~BELOW~~ _____ ON _____
 LEFT - ☉ PAV'T - RIGHT _____ ON _____
 _____ 12' TO RT EDGE PAVEMENT
 S.L.M. 213+25



GRID: NORTHING: 674743.840 EASTING: 1770702.899

RECORD: P.I.
 STA 526+94.40
 FD STONE
 6" DOWN
 SET 3/4" IPIPE
 8/13/76
 SET P.K./WASHER
 9/27/93, RCC
 FD P.K.NAIL
 SV117
 8/13/08, MC
 FD P.K./WASHER
 1/3/12, MC
 FD P.K.NAIL
 5/15/13, SDC
 FD MONBOX
 NEWREF33
 5/1/14, TMR

NOTE: REF33 SR 163



O.D.O.T. DISTRICT 2 SURVEY OFFICE (USE ONLY)

PERSONNEL

REFERENCE NO. 18

SHEET 17 OF 30

NOTES RHOADES
 H.C. O'DONNELL
 R.C. RHOADES

DATE 2/26/18
 WEATHER SUNNY
 TEMP. 39°

ROUTE SR 590
 COUNTY OTTAWA
 TOWNSHIP BENTON
 SECTION 34
 T 7 N R 14 E

DWG BY MILLER PID 101240

TYPE MONUMENT MAG/WASHER

ON SURFACE - ~~BELOW~~ ON

OFFSET C PAVEMENT 6' LT : ~~RT~~
4' TO LT EDGE PAVEMENT

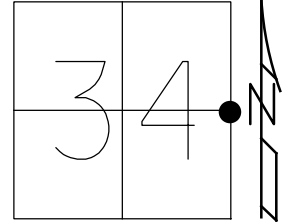
STATION: 239+96

HORZ.DATUM: NAD83-2011

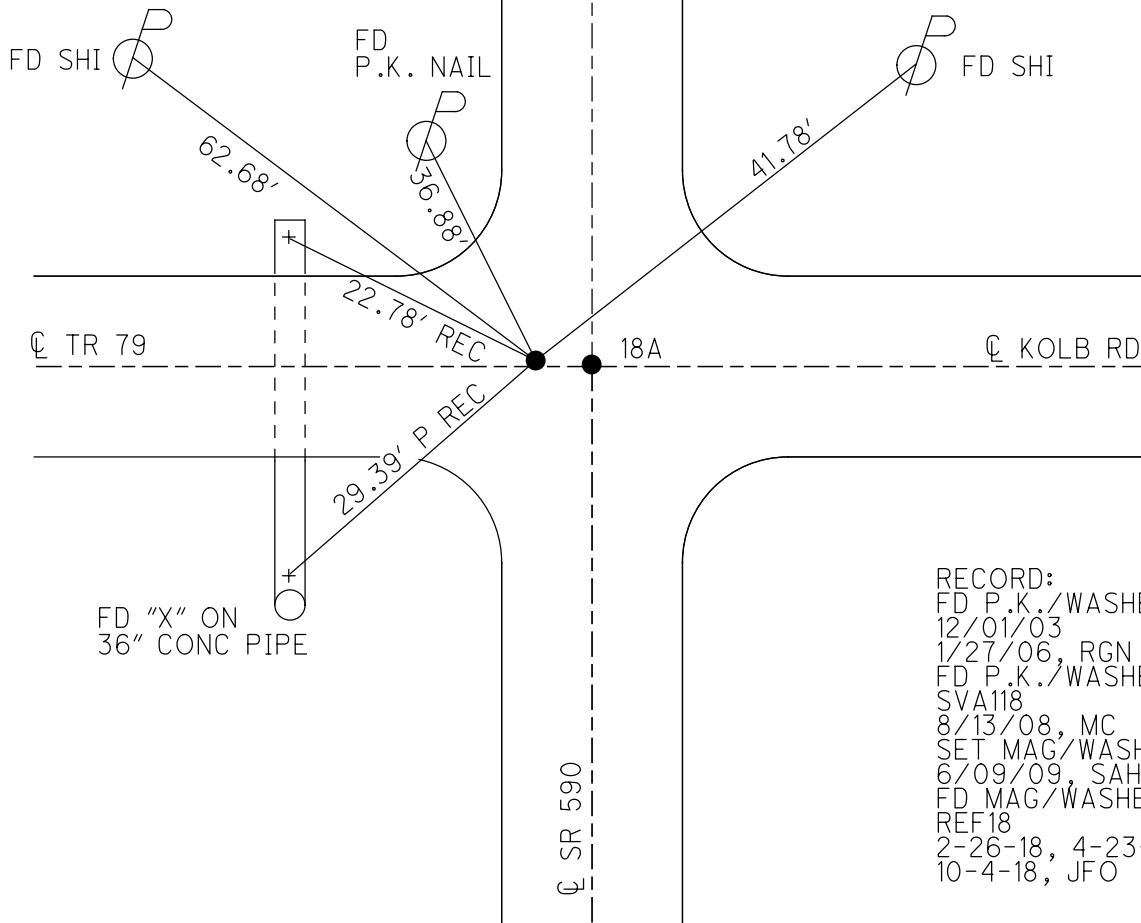
GEOID: NAVD88-2012A

GRID: NORTHING: 677405.207

EASTING: 1770714.823



DIST. 18-18A = 1.65'

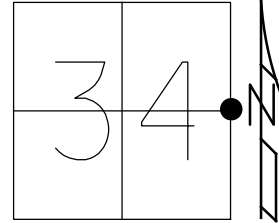


RECORD:
 FD P.K./WASHER
 12/01/03
 1/27/06, RGN
 FD P.K./WASHER
 SVA118
 8/13/08, MC
 SET MAG/WASHER
 6/09/09, SAH
 FD MAG/WASHER
 REF18
 2-26-18, 4-23-18
 10-4-18, JFO

O.D.O.T. DISTRICT 2 SURVEY OFFICE (USE ONLY)

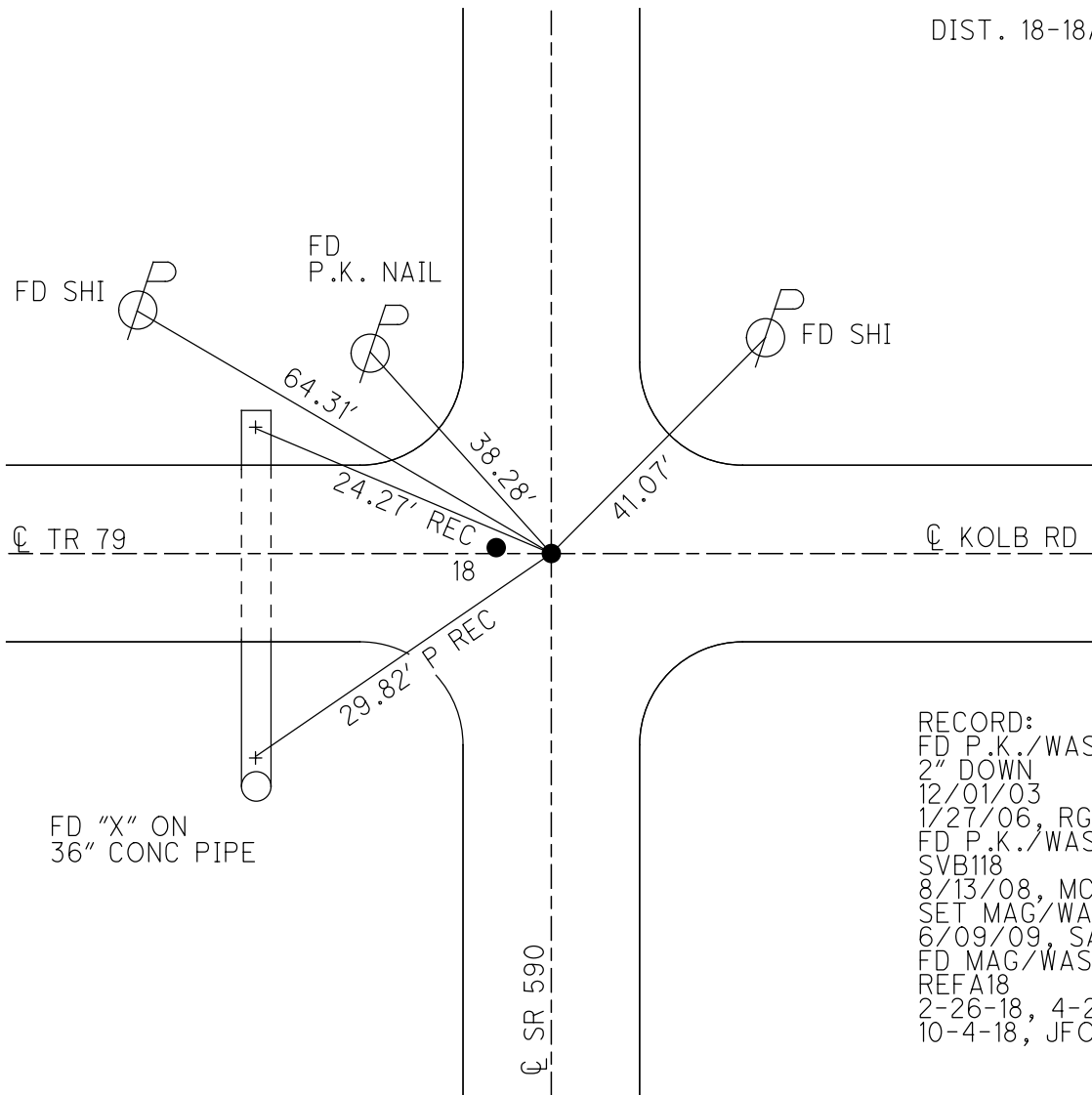
PERSONNEL _____ REFERENCE NO. 18 A SHEET 18 OF 30
 NOTES RHOADES DATE 2/26/18 ROUTE SR 590
 H.C. O'DONNELL WEATHER SUNNY COUNTY OTTAWA
 R.C. RHOADES TEMP. 39° TOWNSHIP BENTON
 DWG BY MILLER PID 101240 SECTION 34
 T 7 N R 14

TYPE MONUMENT MAG/WASHER
 ON SURFACE - ~~BELOW~~ ON
 OFFSET CL PAVEMENT 4.4' LT : ~~RT~~
5.5' TO LT EDGE PAVEMENT
 STATION: 239+96



HORZ.DATUM: NAD83-2011 GEOID: NAVD88-2012A
 GRID: NORTHING: 677404.603 EASTING: 1770716.359

DIST. 18-18A= 1.65'

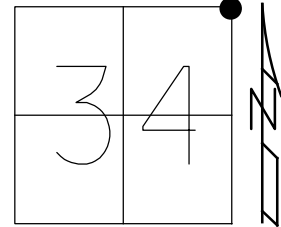


RECORD:
 FD P.K./WASHER
 2" DOWN
 12/01/03
 1/27/06, RGN
 FD P.K./WASHER
 SVB118
 8/13/08, MC
 SET MAG/WASHER
 6/09/09, SAH
 FD MAG/WASHER
 REF A18
 2-26-18, 4-23-18
 10-4-18, JFO

O.D.O.T. DISTRICT 2 SURVEY OFFICE (USE ONLY)

PERSONNEL _____ REFERENCE NO. 19 SHEET 19 OF 30
 NOTES RHOADES DATE 2/26/18 ROUTE SR 590
 H.C. O'DONNELL WEATHER SUNNY COUNTY OTTAWA
 R.C. RHOADES TEMP. 41° TOWNSHIP BENTON
 DWG BY MILLER PID 101240 SECTION 34
 T 7 N R 14 E

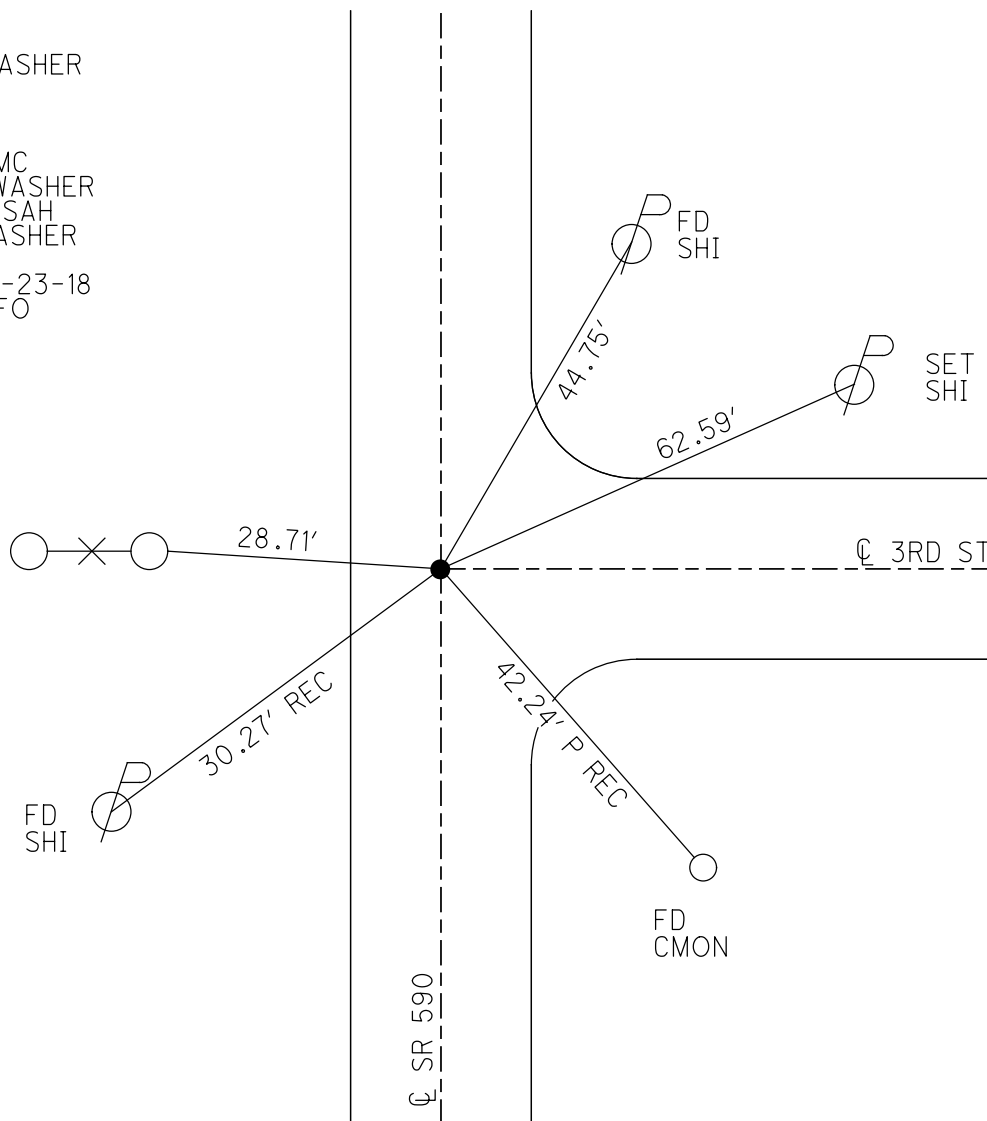
TYPE MONUMENT MAG/WASHER
 ON SURFACE - ~~BELOW~~ ON _____
 OFFSET C PAVEMENT 5.2' LT : ~~RT~~
4' TO LT EDGE PAVEMENT
 STATION: 266+60



HORIZ.DATUM: NAD83-2011 GEOID: NAVD88-2012A
 GRID: NORTHING: 680058.606 EASTING: 1770734.601

RECORD:
 FD P.K./WASHER
 0.3' DOWN
 6/9/08
 SV119
 8/13/08, MC
 SET MAG/WASHER
 6/09/09, SAH
 FD MAG/WASHER
 REF19
 2-26-18, 4-23-18
 10-4-18, JFO

FD SHI
 FEN POST



O.D.O.T. DISTRICT 2 SURVEY OFFICE (USE ONLY)

PERSONNEL

REFERENCE NO. 20

SHEET 20 OF 30

NOTES RHOADES

DATE 2/26/18

ROUTE SR 590

H.C. O'DONNELL

WEATHER SUNNY

COUNTY OTTAWA

R.C. RHOADES

TEMP. 41°

TOWNSHIP BENTON

DWG BY MILLER PID 101240

SECTION 27

T 7 N R 14 E

TYPE MONUMENT MAG/WASHER

ON SURFACE - ~~BELOW~~ ON

OFFSET \odot PAVEMENT 5.5' LT : ~~RT~~

- TO - EDGE PAVEMENT

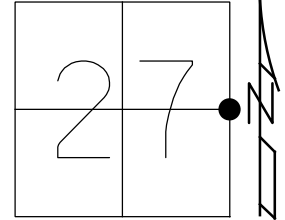
STATION: 293+09

HORIZ.DATUM: NAD83-2011

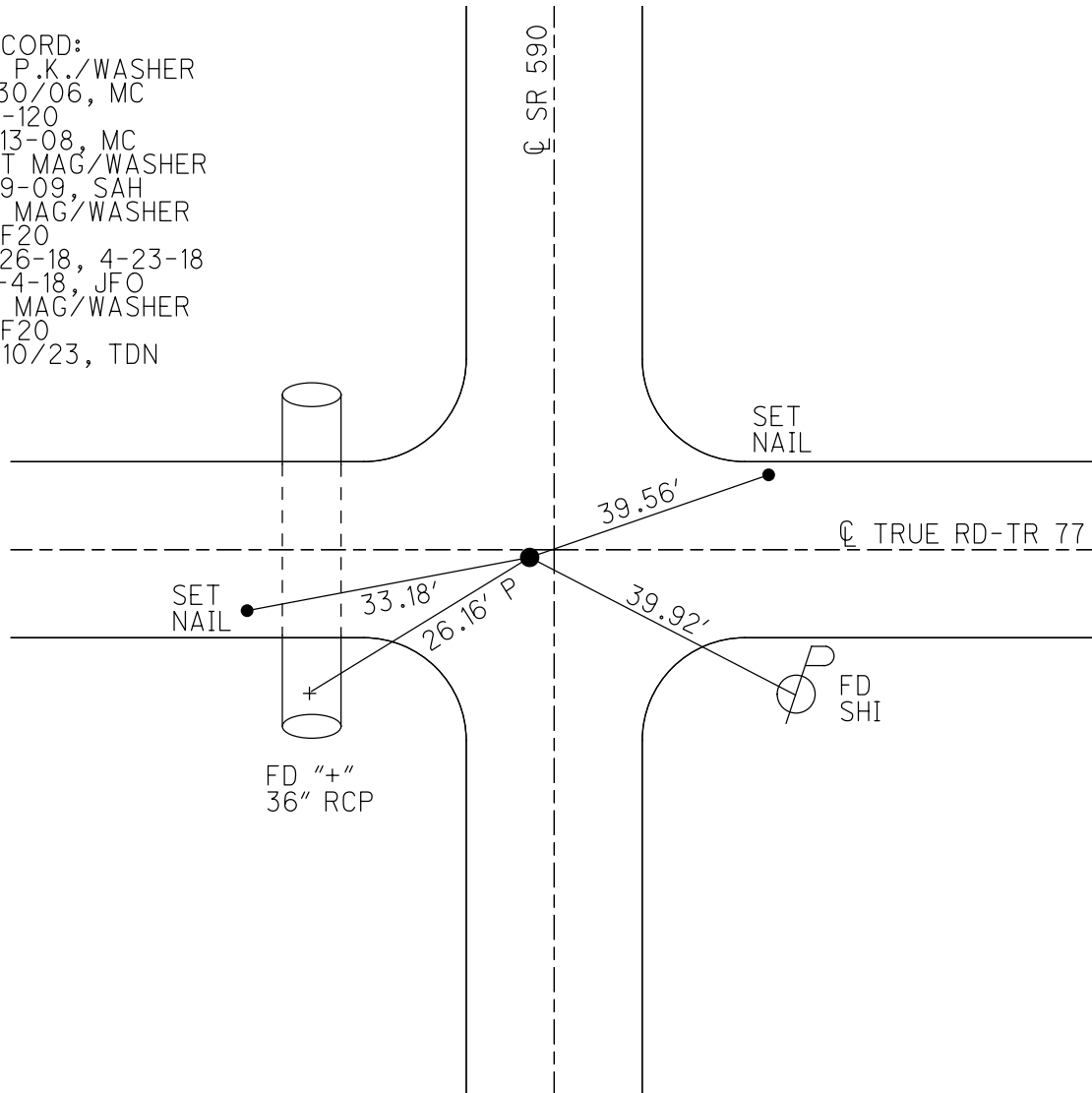
GEOID: NAVD88-2012A

GRID: NORTHING: 682695.807

EASTING: 1770770.941



RECORD:
 FD P.K./WASHER
 1/30/06, MC
 SV-120
 8-13-08, MC
 SET MAG/WASHER
 6-9-09, SAH
 FD MAG/WASHER
 REF20
 2-26-18, 4-23-18
 10-4-18, JFO
 FD MAG/WASHER
 REF20
 4/10/23, TDN



O.D.O.T. DISTRICT 2 SURVEY OFFICE (USE ONLY)

PERSONNEL

REFERENCE NO. 21

SHEET 21 OF 30

NOTES RHOADES

DATE 2/26/18

ROUTE SR 590

H.C. O'DONNELL

WEATHER SUNNY

COUNTY OTTAWA

R.C. RHOADES

TEMP. 41°

TOWNSHIP BENTON

DWG BY MILLER PID 101240

SECTION 22

T 7 N R 14 E

TYPE MONUMENT MAG/WASHER

ON SURFACE - ~~BELOW~~ ON

OFFSET Q PAVEMENT 1' LT : ~~RT~~

8.7' TO LT EDGE PAVEMENT

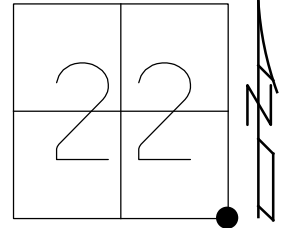
STATION: 319+72

HORIZ.DATUM: NAD83-2011

GEOID: NAVD88-2012A

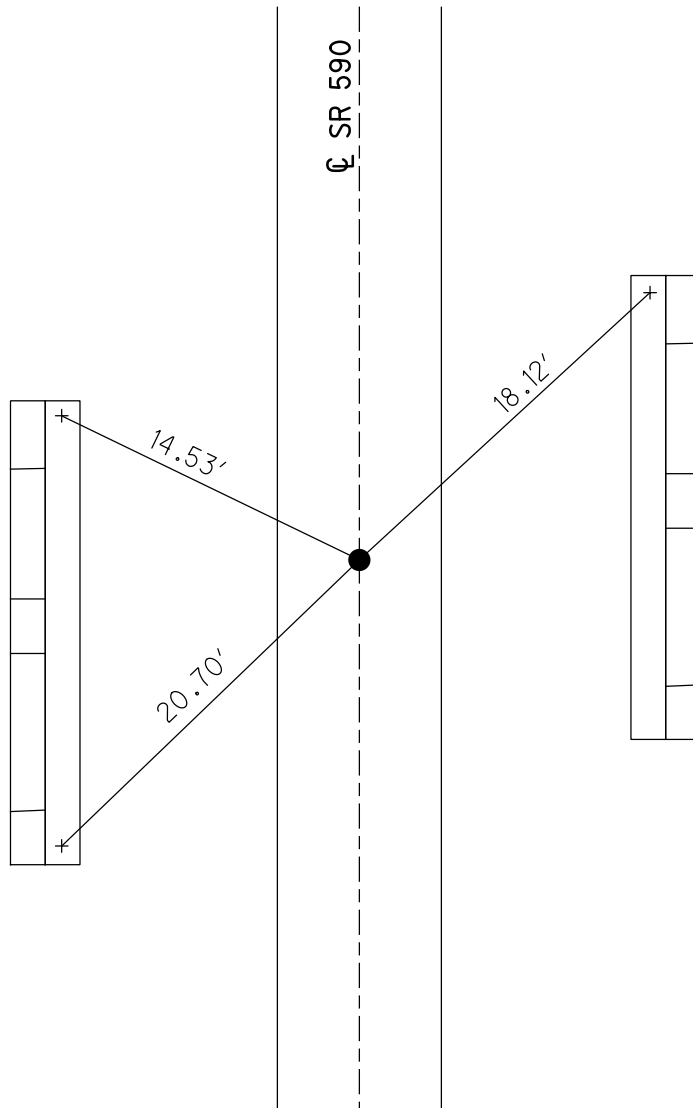
GRID: NORTHING: 685349.138

EASTING: 1770795.060



RECORD:
 FD P.K./WASHER
 7/9/08
 SV121
 8/13/08, MC
 SET MAG/WASHER
 6/09/09, SAH
 FD MAG/WASHER
 2-26-18, 4-23-18
 10-4-18, JFO
 FD MAG/WASHER
 REF21
 4/10/23, TDN

FD CUT "X"s
 ON TOP
 OF WALLS

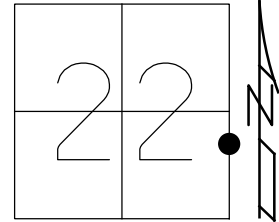


BRIDGE
 OTT 590-0605

O.D.O.T. DISTRICT 2 SURVEY OFFICE (USE ONLY)

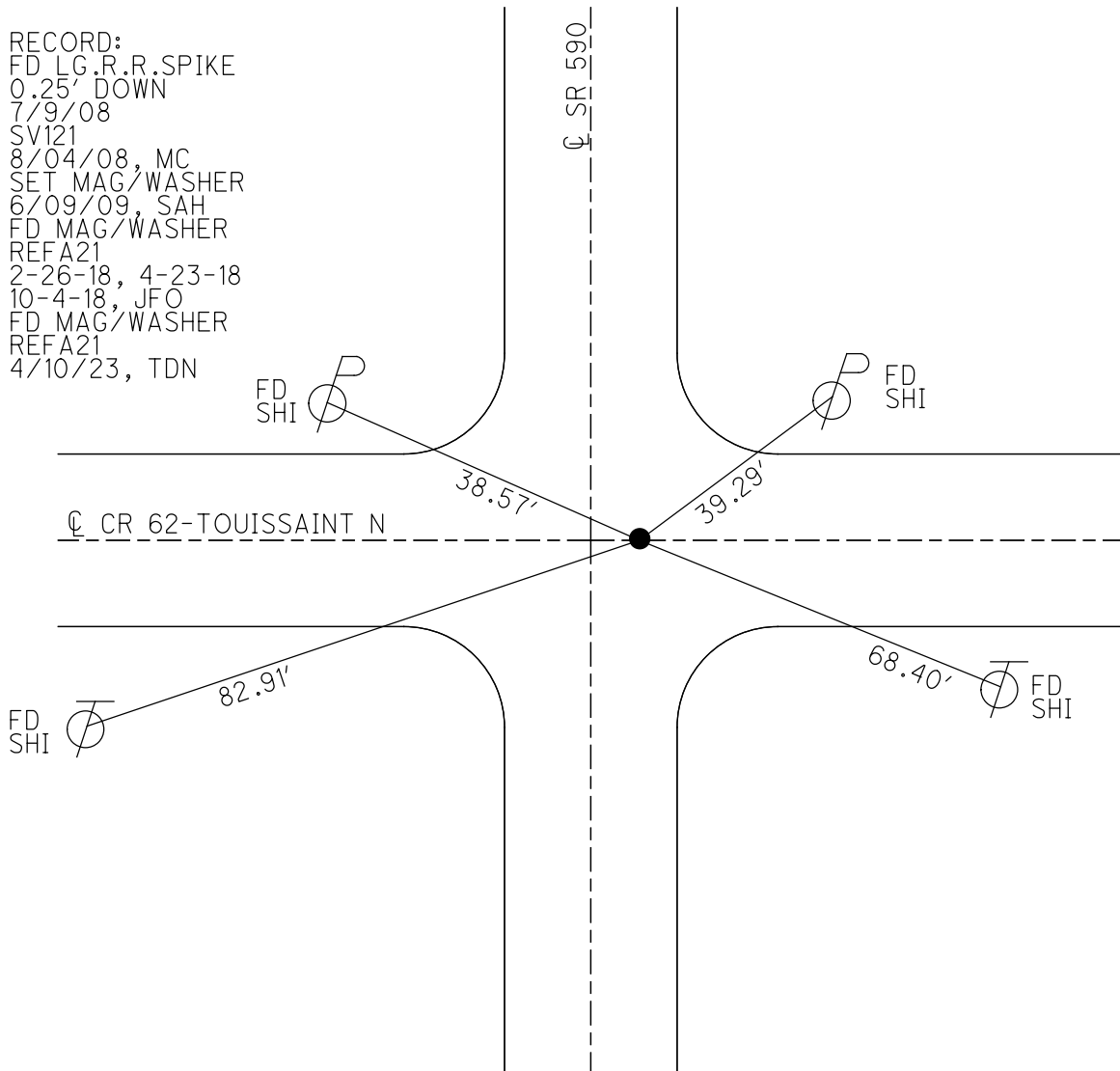
PERSONNEL _____ REFERENCE NO. 21 A SHEET 22 OF 30
 NOTES RHOADES DATE 2/26/18 ROUTE SR 590
 H.C. O'DONNELL WEATHER SUNNY COUNTY OTTAWA
 R.C. RHOADES TEMP. 41° TOWNSHIP BENTON
 DWG BY MILLER PID 101240 SECTION 22
 T 7 N R 14 E

TYPE MONUMENT MAG/WASHER
 ON SURFACE - ~~BELOW~~ ON
 OFFSET Q PAVEMENT 8' ~~LT~~ : RT
- TO - EDGE PAVEMENT
 STATION: 341+54



HORZ. DATUM: NAD83-2011 GEOID: NAVD88-2012A
 GRID: NORTHING: 687531.717 EASTING: 1770823.389

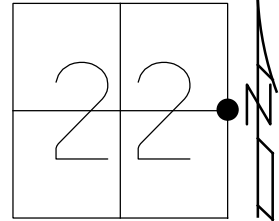
RECORD:
 FD LG.R.R.SPIKE
 0.25' DOWN
 7/9/08
 SV121
 8/04/08, MC
 SET MAG/WASHER
 6/09/09, SAH
 FD MAG/WASHER
 REFA21
 2-26-18, 4-23-18
 10-4-18, JFO
 FD MAG/WASHER
 REFA21
 4/10/23, TDN



O.D.O.T. DISTRICT 2 SURVEY OFFICE (USE ONLY)

PERSONNEL _____ REFERENCE NO. 22 SHEET 23 OF 30
 NOTES RHOADES DATE 2/26/18 ROUTE SR 590
 H.C. O'DONNELL WEATHER SUNNY COUNTY OTTAWA
 R.C. RHOADES TEMP. _____ TOWNSHIP BENTON
 _____ SECTION 22
 DWG BY MILLER PID 101240 T 7 N R 14 E

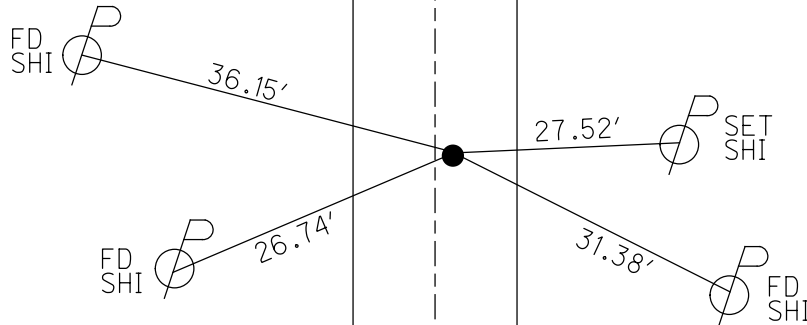
TYPE MONUMENT MAG/WASHER
 ON SURFACE - ~~BELOW~~ ON
 OFFSET \varnothing PAVEMENT 3.8' ~~LT~~ : RT
6.5' TO RT EDGE PAVEMENT
 STATION: 346+33



HORZ. DATUM: NAD83-2011 GEOID: NAVD88-2012A
 GRID: NORTHING: 688007.054 EASTING: 1770829.573

RECORD:
 FD P.K./WASHER
 7/10/08
 SV122,
 8/13/08, MC
 SET MAG/WASHER
 6/09/09, SAH
 FD MAG/WASHER
 REF22
 2-26-18, 4-23-18
 10-4-18, JFO
 FD MAG/WASHER
 REF22
 4/10/23, TDN

NOTE:
 4.75 x 7.5" HIGH POINTED
 SANDSTONE FD BY CO.
 14.25" DOWN



CONC DR
 RES #2493

O.D.O.T. DISTRICT 2 SURVEY OFFICE (USE ONLY)

PERSONNEL

REFERENCE NO. 23

SHEET 24 OF 30

NOTES RHOADES DATE 2/26/18

ROUTE SR 590

H.C. O'DONNELL WEATHER SUNNY

COUNTY OTTAWA

R.C. RHOADES TEMP. 41°

TOWNSHIP BENTON

DWG BY MILLER PID 101240

SECTION 15

T 7 N R 14 E

TYPE MONUMENT MAG/WASHER

ON SURFACE - ~~BELOW~~ ON

OFFSET \bar{C} PAVEMENT 1.2' ~~LT~~ : RT

8.4' TO RT EDGE PAVEMENT

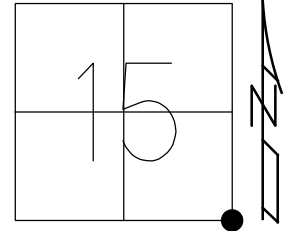
STATION: 373+00

HORIZ.DATUM: NAD83-2011

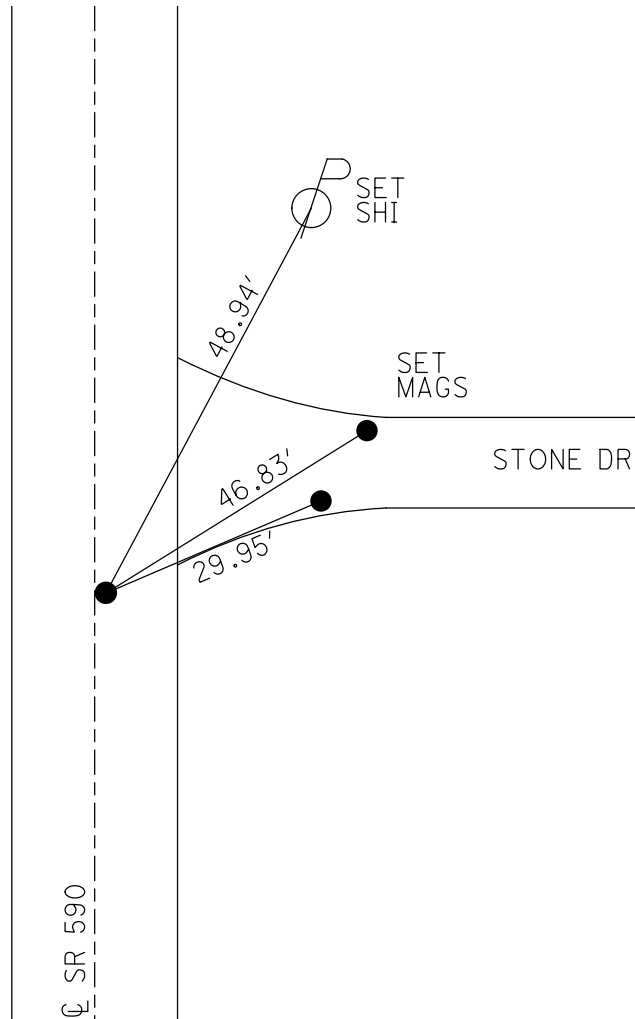
GEOID: NAVD88-2012A

GRID: NORTHING: 690665.411

EASTING: 177867.333

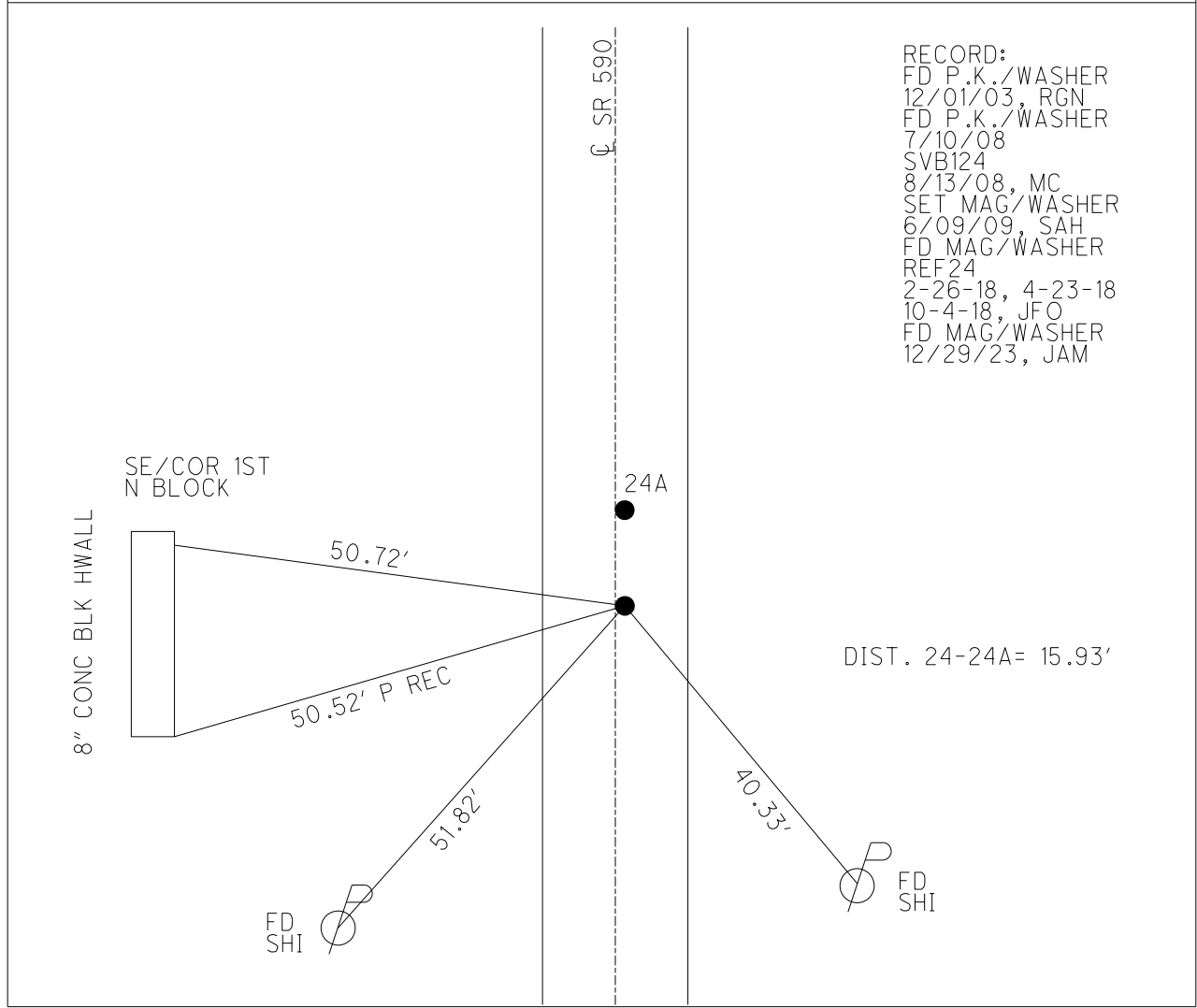
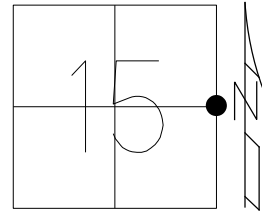


RECORD:
FD MAG NAIL
12/1/03
FD P.K./WASHER
7/10/08
SV123
8/13/08, MC
SET MAG/WASHER
6/09/09, SAH
FD MAG/WASHER
REF23
2-26-18, 4-23-18
10-4-18, JFO



O.D.O.T. DISTRICT 2 SURVEY OFFICE (USE ONLY)

PERSONNEL	REFERENCE NO. <u>24</u>	SHEET <u>25</u> OF <u>30</u>
NOTES <u>RHOADES</u>	DATE <u>12/29/23</u>	ROUTE <u>SR 590</u>
H.C. <u>MILLER</u>	WEATHER <u>CLOUDY</u>	COUNTY <u>OTTAWA</u>
R.C. <u>RHOADES</u>	TEMP. <u>40°</u>	TOWNSHIP <u>BENTON</u>
		SECTION <u>15</u>
DWG BY <u>RHOADES</u>	PID <u>PAVETRAIN</u>	T <u>7</u> N R <u>14</u> E
TYPE MONUMENT <u>MAG/WASHER</u>		
ON SURFACE - BELOW <u>ON</u>		
OFFSET \bar{C} PAVEMENT <u>1.1'</u> \pm : RT		
<u>8.3'</u> TO RT EDGE PAVEMENT		
STATION: <u>399+59.27</u>		
HORZ. DATUM: <u>NAD83 2011</u>	GEOID: <u>NAVD88 2018</u>	
GRID: NORTHING: <u>693321.474</u>	EASTING: <u>1770895.684</u>	



RECORD:
 FD P.K./WASHER
 12/01/03, RGN
 FD P.K./WASHER
 7/10/08
 SVB124
 8/13/08, MC
 SET MAG/WASHER
 6/09/09, SAH
 FD MAG/WASHER
 REF24
 2-26-18, 4-23-18
 10-4-18, JFO
 FD MAG/WASHER
 12/29/23, JAM

DIST. 24-24A = 15.93'

O.D.O.T. DISTRICT 2 SURVEY OFFICE (USE ONLY)

PERSONNEL

REFERENCE NO. 24 A

SHEET 26 OF 30

NOTES RHOADES

DATE 2/26/18

ROUTE SR 590

H.C. O'DONNELL

WEATHER SUNNY

COUNTY OTTAWA

R.C. RHOADES

TEMP. 48°

TOWNSHIP BENTON

DWG BY MILLER

PID 101240

SECTION 15

T 7 N R 14 E

TYPE MONUMENT MAG/WASHER

ON SURFACE - ~~BELOW~~ ON

OFFSET \odot PAVEMENT 1.1' ~~LT~~ : RT

8.3' TO RT EDGE PAVEMENT

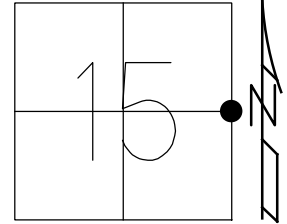
STATION: 399+75.2

HORZ. DATUM: NAD83-2011

GEOID: NAVD88-2012A

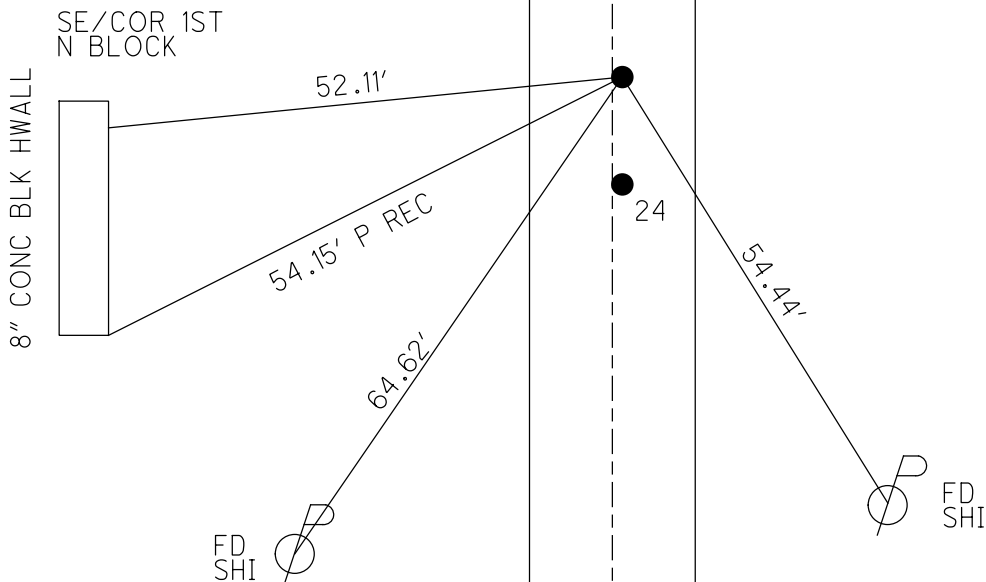
GRID: NORTHING: 693337.429

EASTING: 1770895.761



RECORD:
 FD P.K./WASHER
 12/01/03, RGN
 FD P.K./WASHER
 7/10/08
 SVA124
 8/13/08, MC
 SET MAG/WASHER
 6/09/09, SAH
 FD MAG/WASHER
 REFA24
 2-26-18, 4-23-18
 10-4-18, JFO

DIST. 24-24A= 15.93'



O.D.O.T. DISTRICT 2 SURVEY OFFICE (USE ONLY)

PERSONNEL

REFERENCE NO. 25

SHEET 27 OF 30

NOTES RHOADES

DATE 2/26/18

ROUTE SR 590

H.C. O'DONNELL

WEATHER SUNNY

COUNTY OTTAWA

R.C. RHOADES

TEMP. 48°

TOWNSHIP BENTON

SECTION 15

DWG BY MILLER

PID 101240

T 7 N R 14 E

TYPE MONUMENT MAG/WASHER

ON SURFACE - ~~BELOW~~ ON

OFFSET Q PAVEMENT 2' ~~LT~~ : RT

8.4' TO RT EDGE PAVEMENT

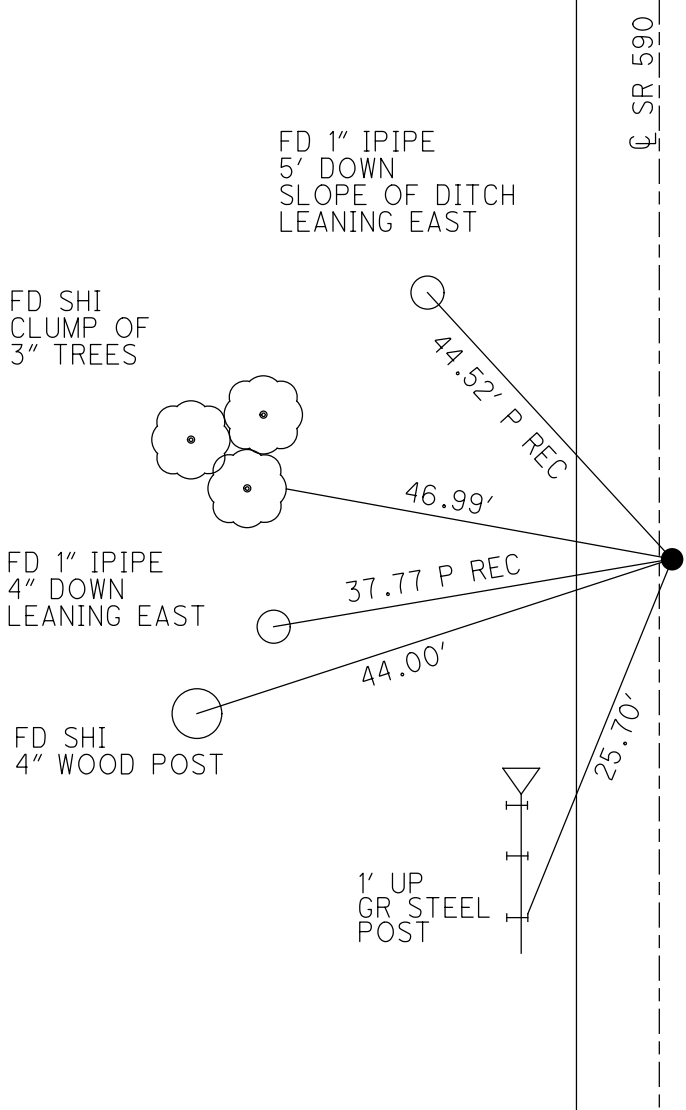
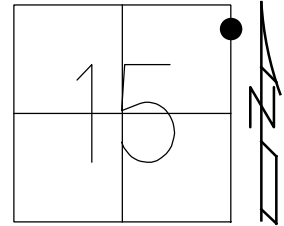
STATION: 420+43

HORZ. DATUM: NAD83-2011

GEOID: NAVD88-2012A

GRID: NORTHING: 695382.412

EASTING: 1770931.460



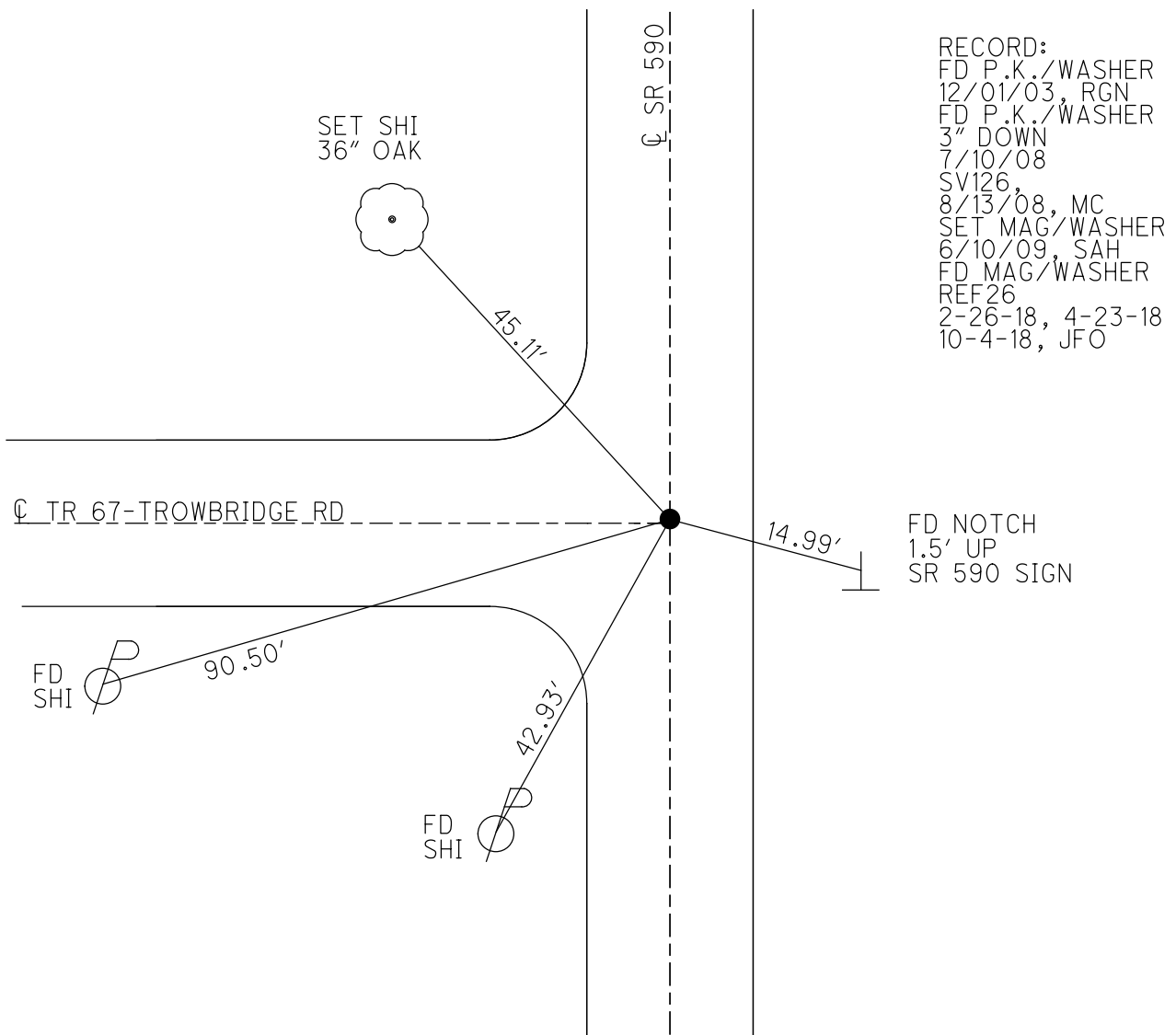
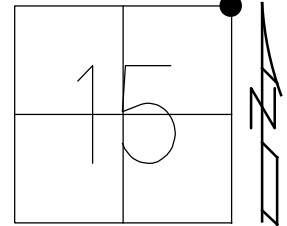
RECORD:
 FD P.K.NAIL
 12/01/03, RGN
 FD P.K.NAIL
 7/10/08
 SV125
 8/13/08, MC
 SET MAG/WASHER
 REF25
 2-26-18, JFO
 FD MAG/WASHER
 4-23-18,
 10-4-18, JFO

O.D.O.T. DISTRICT 2 SURVEY OFFICE (USE ONLY)

PERSONNEL _____ REFERENCE NO. 26 SHEET 28 OF 30
 NOTES RHOADES DATE 2/26/18 ROUTE SR 590
 H.C. O'DONNELL WEATHER SUNNY COUNTY OTTAWA
 R.C. RHOADES TEMP. 48° TOWNSHIP BENTON
 DWG BY MILLER PID 101240 SECTION 15
 T 7 N R 14 E

TYPE MONUMENT MAG/WASHER
 ON SURFACE - ~~BELOW~~ ON _____
 OFFSET C PAVEMENT 0.8' LT : ~~RT~~
10.4' TO RT EDGE PAVEMENT
 STATION: 426+47

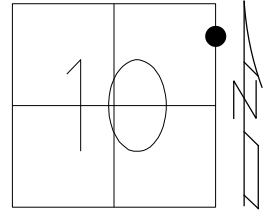
HORZ. DATUM: NAD83-2011 GEOID: NAVD88-2012A
 GRID: NORTHING: 695984.719 EASTING: 1770941.998



O.D.O.T. DISTRICT 2 SURVEY OFFICE (USE ONLY)

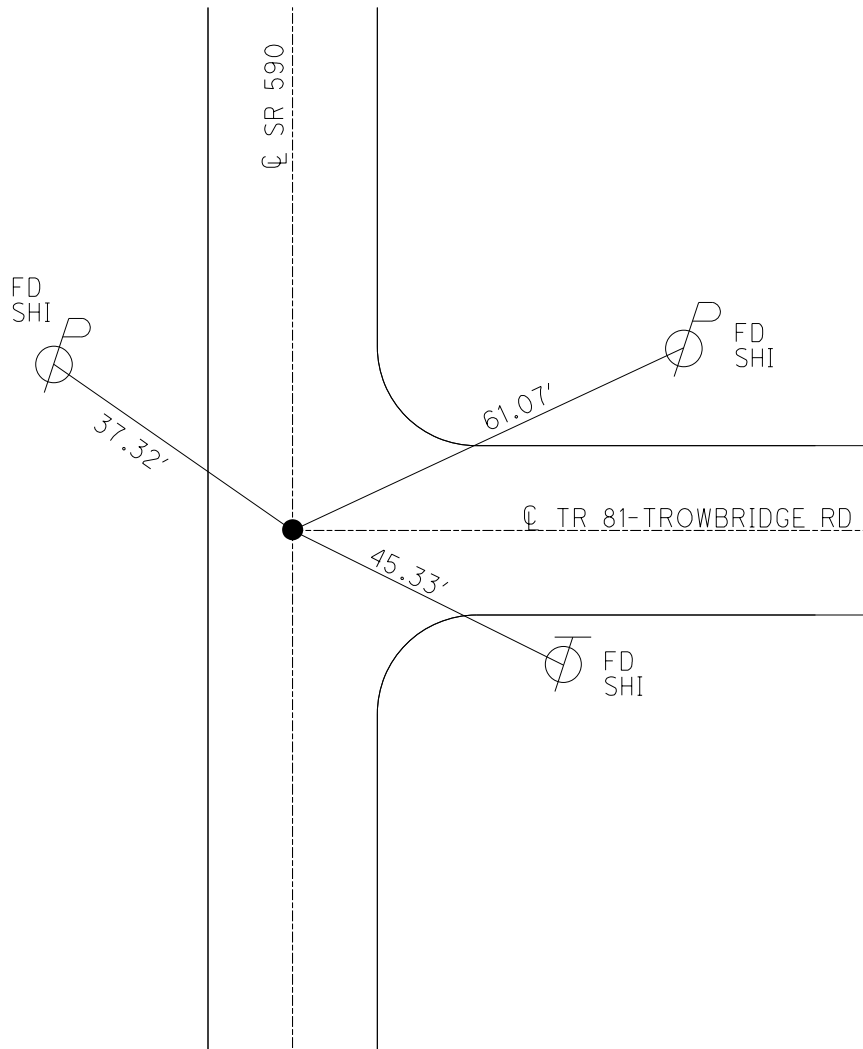
PERSONNEL _____ REFERENCE NO. 27 SHEET 29 OF 30
 NOTES RHOADES DATE 12/29/23 ROUTE SR 590
 H.C. MILLER WEATHER CLOUDY COUNTY OTTAWA
 R.C. RHOADES TEMP. 40° TOWNSHIP BENTON
 _____ SECTION 10
 DWG BY RHOADES PID PAVETRAIN T 7 N R 14 E

TYPE MONUMENT MAG/WASHER
 ON SURFACE - ~~BELOW~~ ON _____
 OFFSET \bar{C} PAVEMENT 2.1' \pm : RT
 _____ TO _____ EDGE PAVEMENT
 STATION: 467+22



HORIZ.DATUM: NAD83 2011 GEOID: NAVD88 2018
 GRID: NORTHING: 700047.800 EASTING: 1771004.200

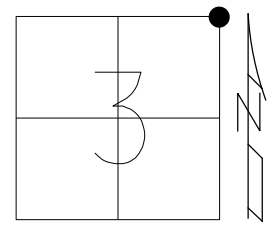
RECORD:
 P.K./WASHER
 12/01/03, RGN
 FD P.K./WASHER
 7/10/08
 SV127
 8/13/08, MC
 SET MAG/WASHER
 6/10/09, SAH
 FD MAG/WASHER
 REF27
 2-26-18, 4-23-18
 10-4-18, JFO
 12/29/23, JAM



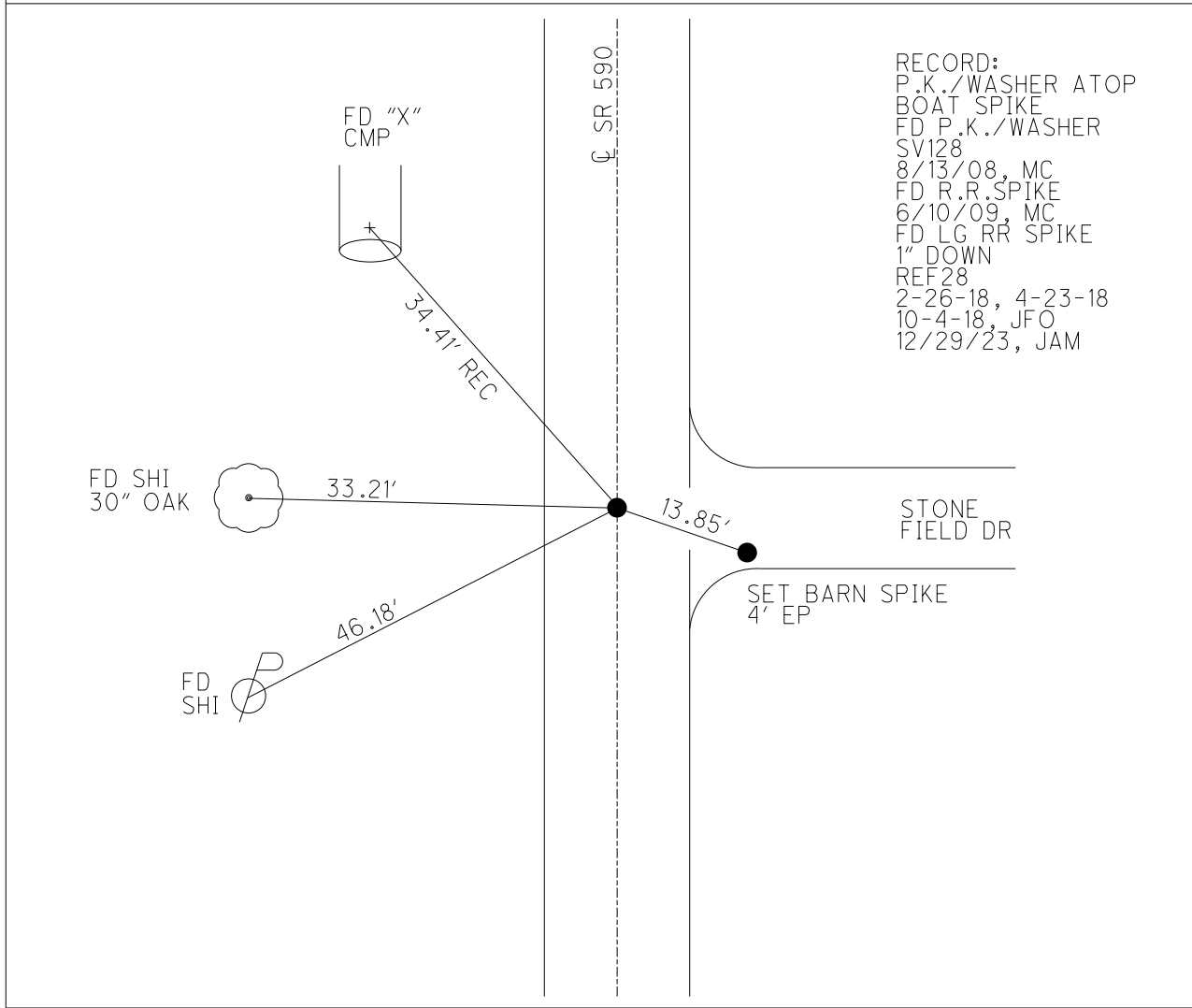
O.D.O.T. DISTRICT 2 SURVEY OFFICE (USE ONLY)

PERSONNEL _____ REFERENCE NO. 28 SHEET 30 OF 30
 NOTES RHOADES DATE 12/29/23 ROUTE SR 590
 H.C. MILLER WEATHER CLOUDY COUNTY OTTAWA
 R.C. RHOADES TEMP. 40° TOWNSHIP BENTON
 DWG BY RHOADES PID PAVETRAIN SECTION 3
 T 7 N R 14 E

TYPE MONUMENT LG.R.R.SPIKE
~~ON SURFACE~~ - BELOW 1"
 OFFSET \varnothing PAVEMENT ON LT : RT
- TO - EDGE PAVEMENT
 STATION: 506+30



HORIZ.DATUM: NAD83 2011 GEOID: NAVD88 2018
 GRID: NORTHING: 703943.487 EASTING: 1771050.254



RECORD:
 P.K./WASHER ATOP
 BOAT SPIKE
 FD P.K./WASHER
 SV128
 8/13/08, MC
 FD R.R.SPIKE
 6/10/09, MC
 FD LG RR SPIKE
 1" DOWN
 REF28
 2-26-18, 4-23-18
 10-4-18, JFO
 12/29/23, JAM