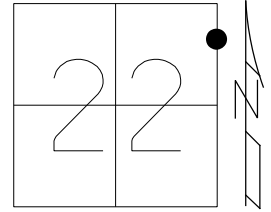


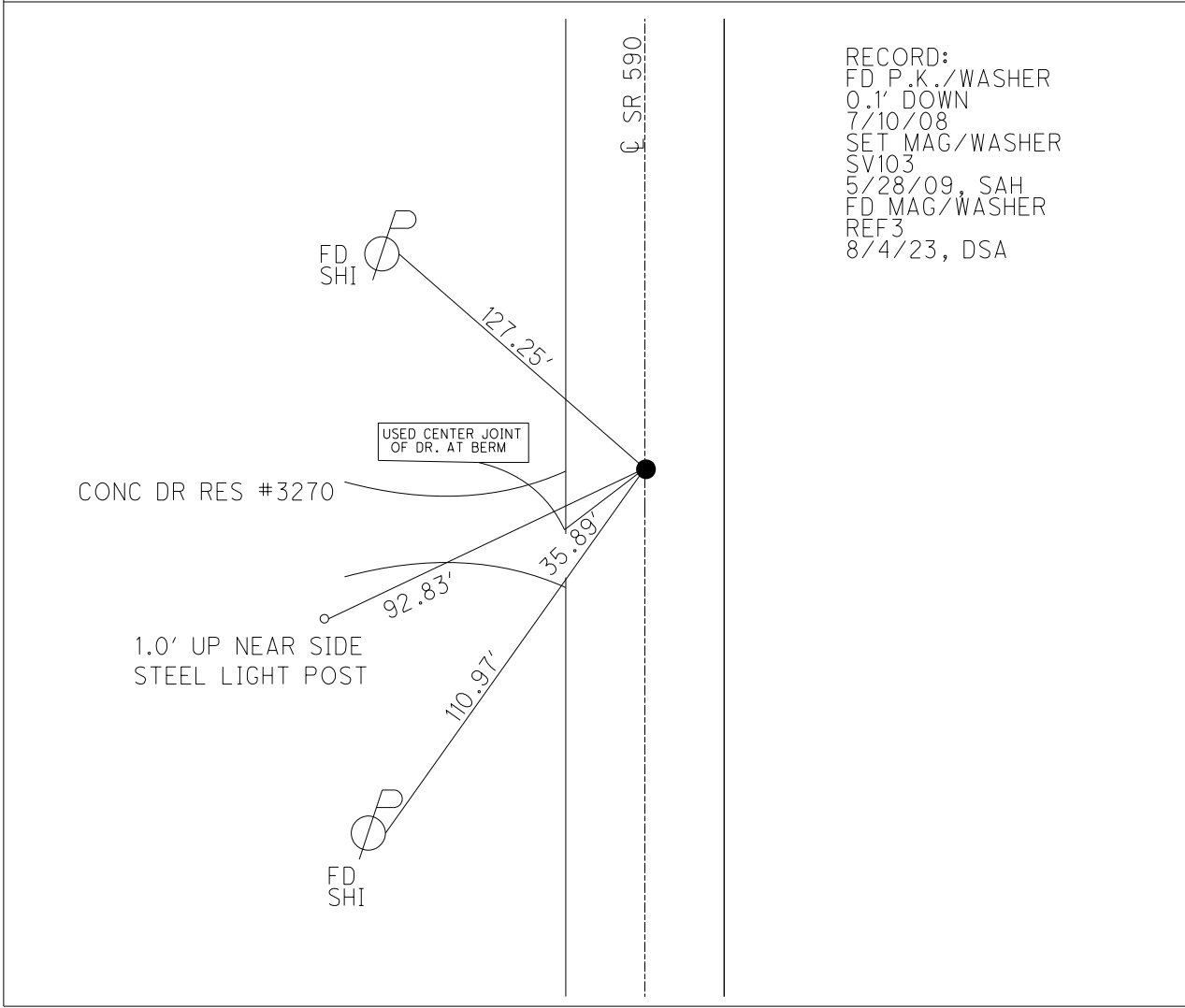
O.D.O.T. DISTRICT 2 SURVEY OFFICE (USE ONLY)

PERSONNEL _____ REFERENCE NO. 3 SHEET 3 OF 30
 NOTES RHOADES DATE 8/4/23 ROUTE SR 590
 H.C. AUBLE WEATHER SUNNY COUNTY OTTAWA
 R.C. ASTON TEMP. 84° TOWNSHIP HARRIS
 DWG BY RHOADES PID PAVETRAIN SECTION 22
 T 6 N R 14 E

TYPE MONUMENT MAG/WASHER
 ON SURFACE - ~~BELOW~~ ON
 OFFSET \perp PAVEMENT 2' LT : ~~RT~~
9.1' TO LT EDGE PAVEMENT
 STATION: 39+70



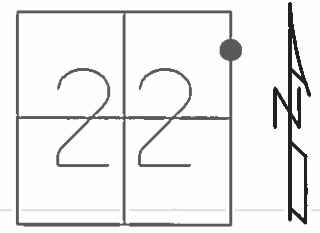
HORIZ.DATUM: NAD83 2011 GEOID: NAVD88 2018
 GRID: NORTHING: 657478.143 EASTING: 1770873.866



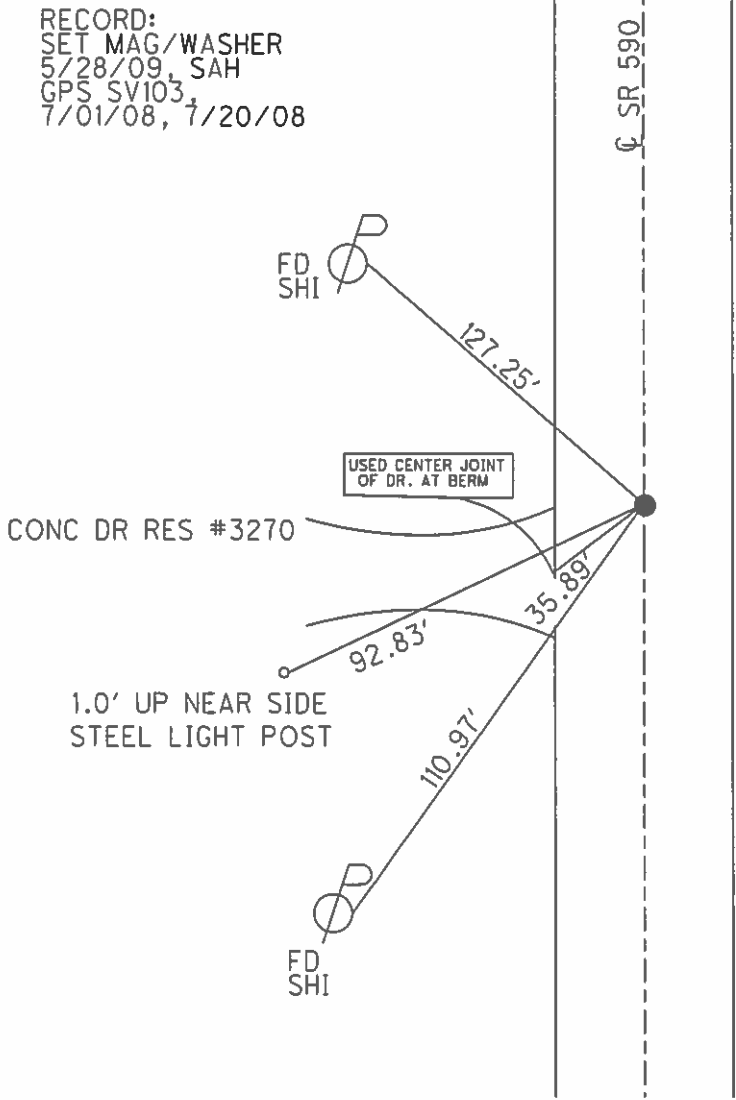
O.D.O.T. DISTRICT 2 SURVEY OFFICE (USE ONLY)

PERSONNEL _____ REFERENCE NO. 3 SHEET 3 OF 30
 NOTES HUSS DATE 1/24/06 ROUTE SR 590
 H.C. MATT H WEATHER CLDY/WINDY COUNTY OTTAWA
 R.C. RYAN H TEMP. 29° TOWNSHIP HARRIS
NUHFER SECTION 22
 T 6 N R 14 E

TYPE MONUMENT _____ P.K./WASHER _____
~~ON SURFACE~~ - BELOW 0.1' _____
 LEFT - ℄ PAV'T - ~~RIGHT~~ 1.0' _____
9.1' TO LT EDGE PAVEMENT _____
 S.L.M. _____ 39+70 _____
 GRID: NORTHING: 657478.143 EASTING: 1770873.866



RECORD:
 SET MAG/WASHER
 5/28/09 SAH
 GPS SV103
 7/01/08, 7/20/08



O.D.O.T. DISTRICT 2 SURVEY OFFICE (Use Only)

PERSONNEL

REFERENCE NO. 3

SHEET 3 OF 12

NOTES HUSS

DATE 01-24-06

ROUTE S.R. 590

H.C. MATT H

WEATHER CLDY./WINDY

COUNTY OTTAWA

R.C. RYAN H

TEMP. +29 F.

TOWNSHIP HARRIS

FL.-NUHFER

SECTION 22 & 23

T 6 N R 14 E

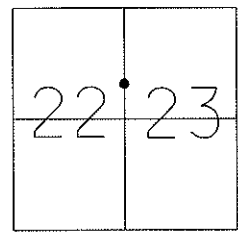
TYPE MONUMENT PK / WASH.

~~ON SURFACE~~ - BELOW 0.1' DOWN

LEFT - ℄ PAV'T - ~~RIGHT~~ 1.0' LT

9.1' TO WEST EDGE PAVEMENT

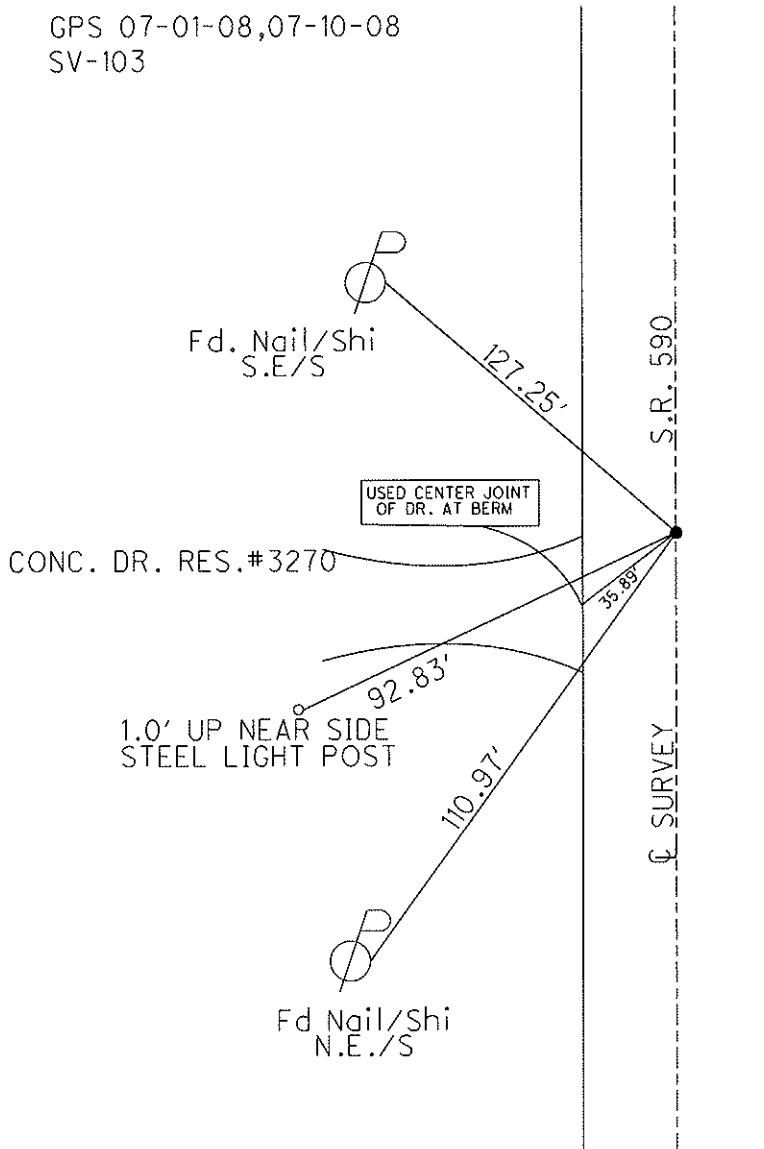
S.L.M. 39+70



Grid: Northing: 657478.143 Easting: 1770873.866

GPS 07-01-08,07-10-08
SV-103

SET MAG/WASH.
05-28-09 SAH.



O.D.O.T. DISTRICT 2 SURVEY OFFICE

PERSONNEL _____

REFERENCE NO. 3

SHEET 3 OF 12

NOTES Cheney

H.C. BARBOUR

R.C. RIPPLE

DATE 11/14/91

WEATHER SUNNY

TEMP. 45°

ROUTE SR# 590

COUNTY OTTAWA

TOWNSHIP HARRIS

SECTION 22 & 23

T 6 N R 14 E

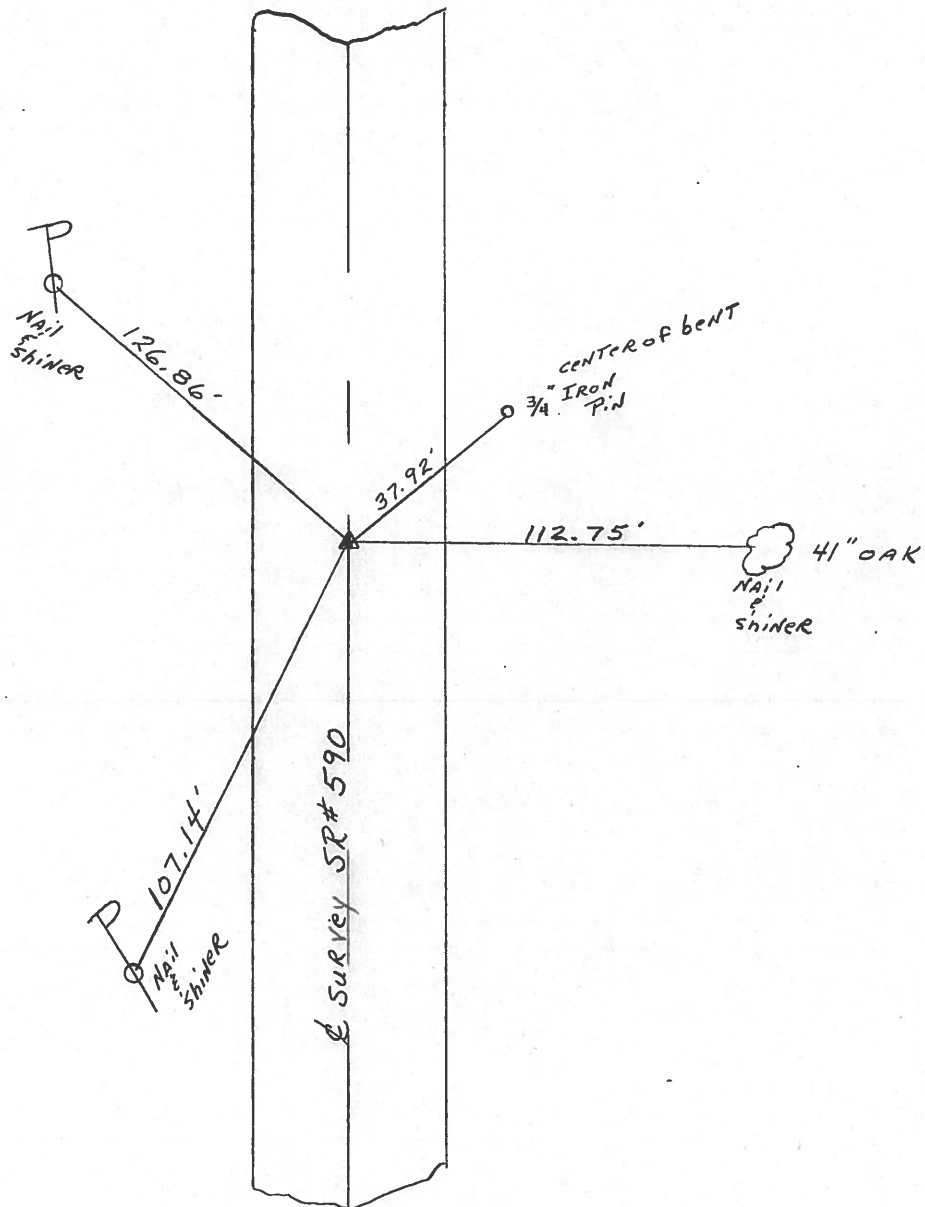
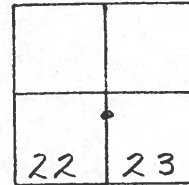
TYPE MONUMENT Set P.K. Nail & Washer

ON SURFACE - ~~BELOW~~ _____

~~LEFT~~ - C PAV'T. - RIGHT 1'

8.5' TO West EDGE PAVEMENT

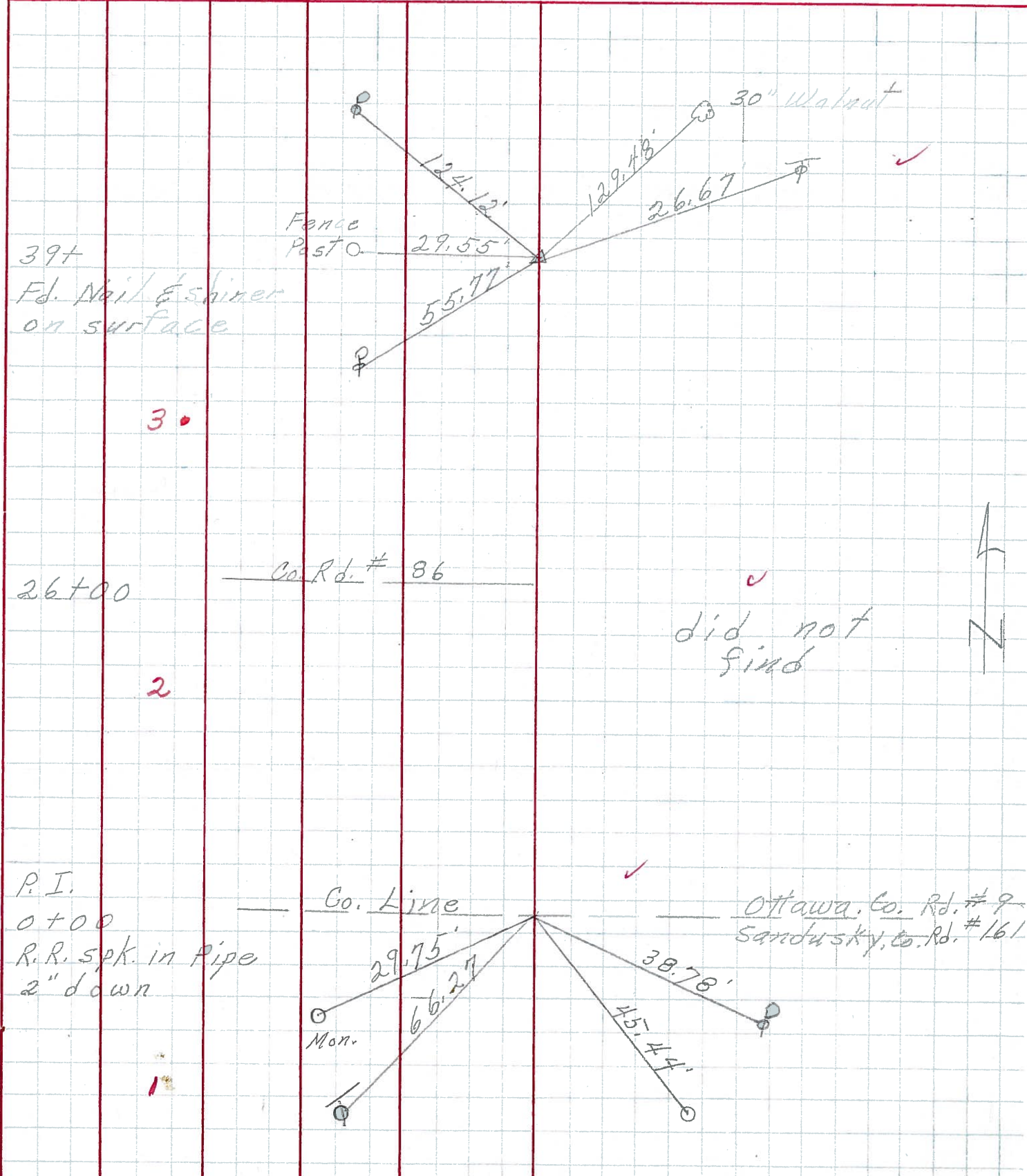
S.L.M. 39+70



Get Odometer Reading From Known Roads or approx distance between Points.

PERSONNEL	TITLE	PERSONNEL	TITLE	COUNTY	DATE
Schneider		Vinson		Ottawa	7-26-71
Mosser				S. R. 590	WEATHER Cloudy
Barbour				SEC. 22 & 23	TEMP. 72°
Geyman					

DESCRIPTION Sandusky Co. Line North Harris Twp. JOB NO.



PERSONNEL	TITLE	PERSONNEL	TITLE	COUNTY	DATE	S. R.	WEATHER	SEC.	TEMP.
Schneider		Potts		Ottawa	4-3-68	590	Cloudy	San. Co. Line North	55°
Mosser									
Barbour									
Redding									

DESCRIPTION: Ties for Control Points

