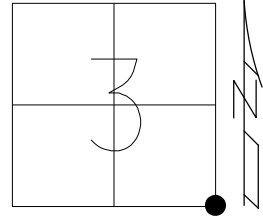


O.D.O.T. DISTRICT 2 SURVEY OFFICE (USE ONLY)

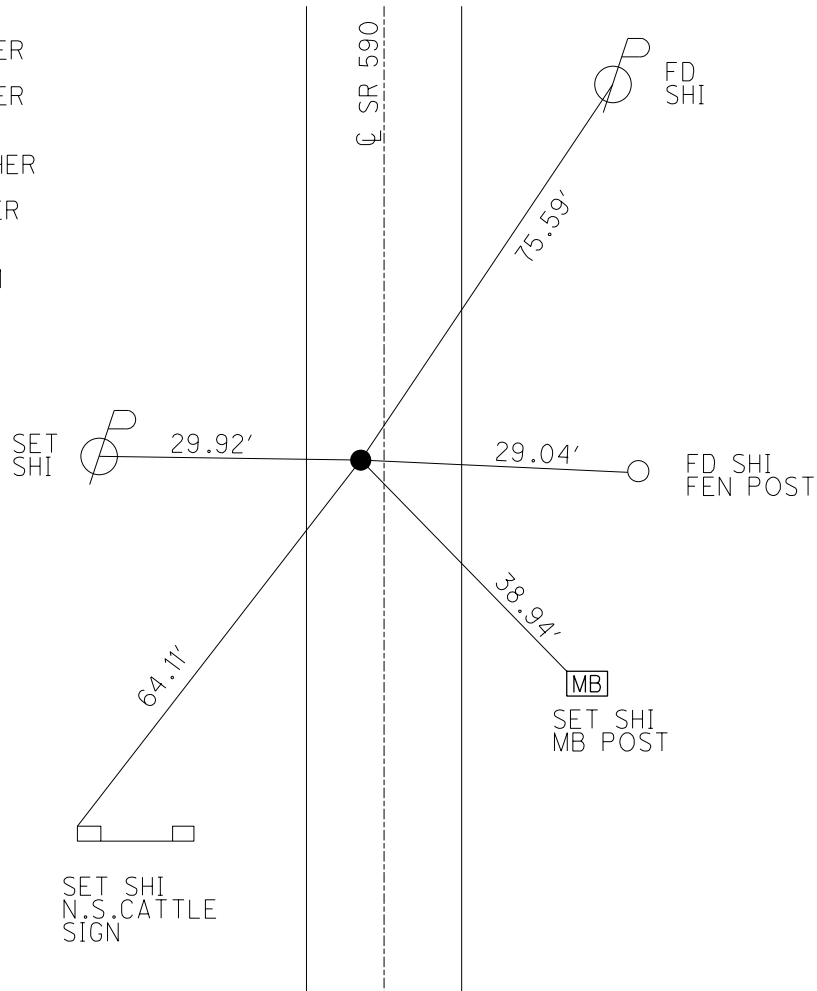
PERSONNEL _____ REFERENCE NO. 15 SHEET 13 OF 30
 NOTES RHOADES DATE 12/29/23 ROUTE SR 590
 H.C. MILLER WEATHER CLOUDY COUNTY OTTAWA
 R.C. RHOADES TEMP. 40° TOWNSHIP HARRIS
 DWG BY RHOADES PID PAVETRAIN SECTION 22
 T 6 N R 14 E

TYPE MONUMENT MAG/WASHER
 ON SURFACE - ~~BELOW~~ ON
 OFFSET Q PAVEMENT 4.3' LT : ~~RT~~
5.1' TO LT EDGE PAVEMENT
 STATION: 160+33.2



HORIZ.DATUM: NAD83 2011 GEOID: NAVD88 2018
 GRID: NORTHING: 669462.337 EASTING: 1770703.316

RECORD:
 FD P.K./WASHER
 1/27/06, RGN
 FD P.K./WASHER
 SV115
 8/11/08, MC
 SET MAG/WASHER
 6/9/09, SAH
 FD MAG/WASHER
 REF 15
 7/31/20, DSA
 12/29/23, JAM



O.D.O.T. DISTRICT 2 SURVEY OFFICE (USE ONLY)

PERSONNEL _____ REFERENCE NO. 15 SHEET 13 OF 30
 NOTES GARRETT DATE 7/31/20 ROUTE SR 590
 H.C. AUBLE WEATHER SUNNY COUNTY OTTAWA
 R.C. MAHLER TEMP. 72° TOWNSHIP HARRIS
 SECTION 3
 DWG BY RHOADES PID PAVING TRAIN T 6 N R 14 E

TYPE MONUMENT MAG/WASHER

ON SURFACE - ~~BELOW~~ ON

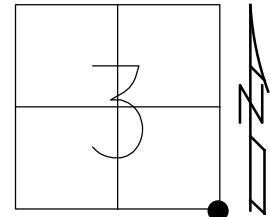
OFFSET \varnothing PAVEMENT 4.3' LT : ~~RT~~

5.1' TO LT EDGE PAVEMENT

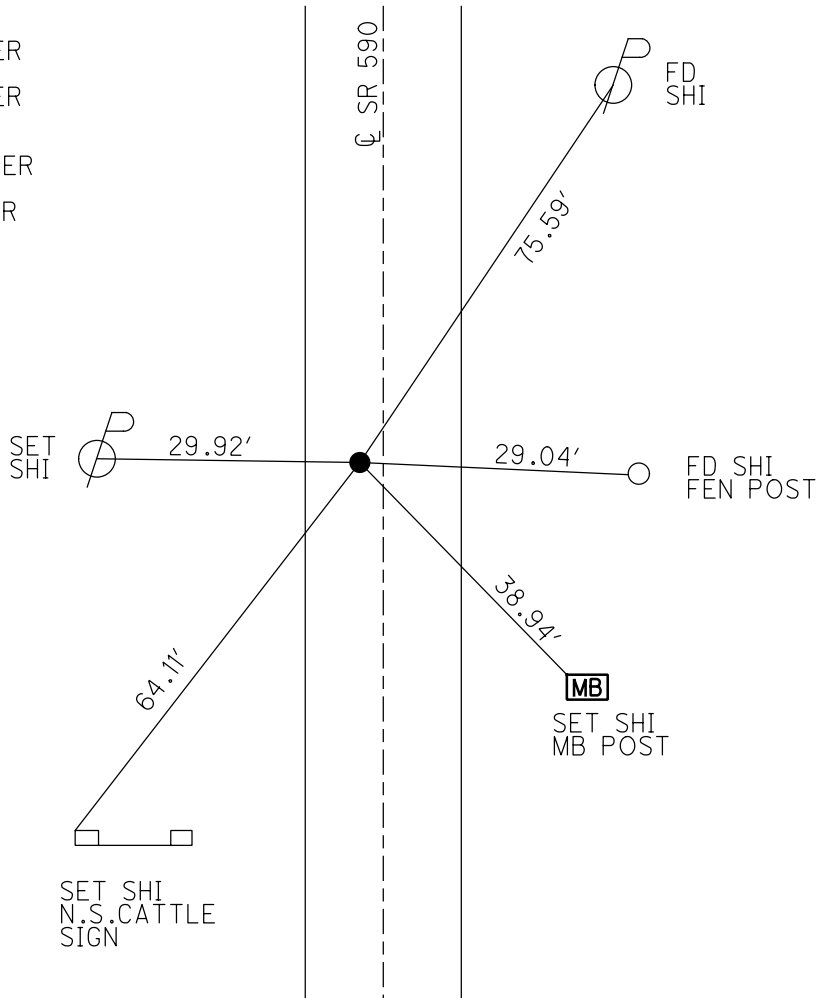
STATION: 160+33.2

HORIZ.DATUM: NAD83 2011 GEOID: 2012A

GRID: NORTHING: 669462.337 EASTING: 1770703.316



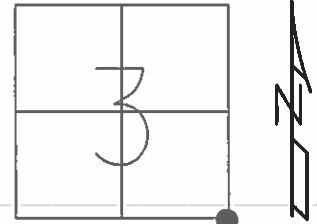
RECORD:
 FD P.K./WASHER
 1/27/06, RGN
 FD P.K./WASHER
 SV115
 8/11/08, MC
 SET MAG/WASHER
 6/9/09, SAH
 FD MAG/WASHER
 REF15
 7/31/20, DSA



O.D.O.T. DISTRICT 2 SURVEY OFFICE (USE ONLY)

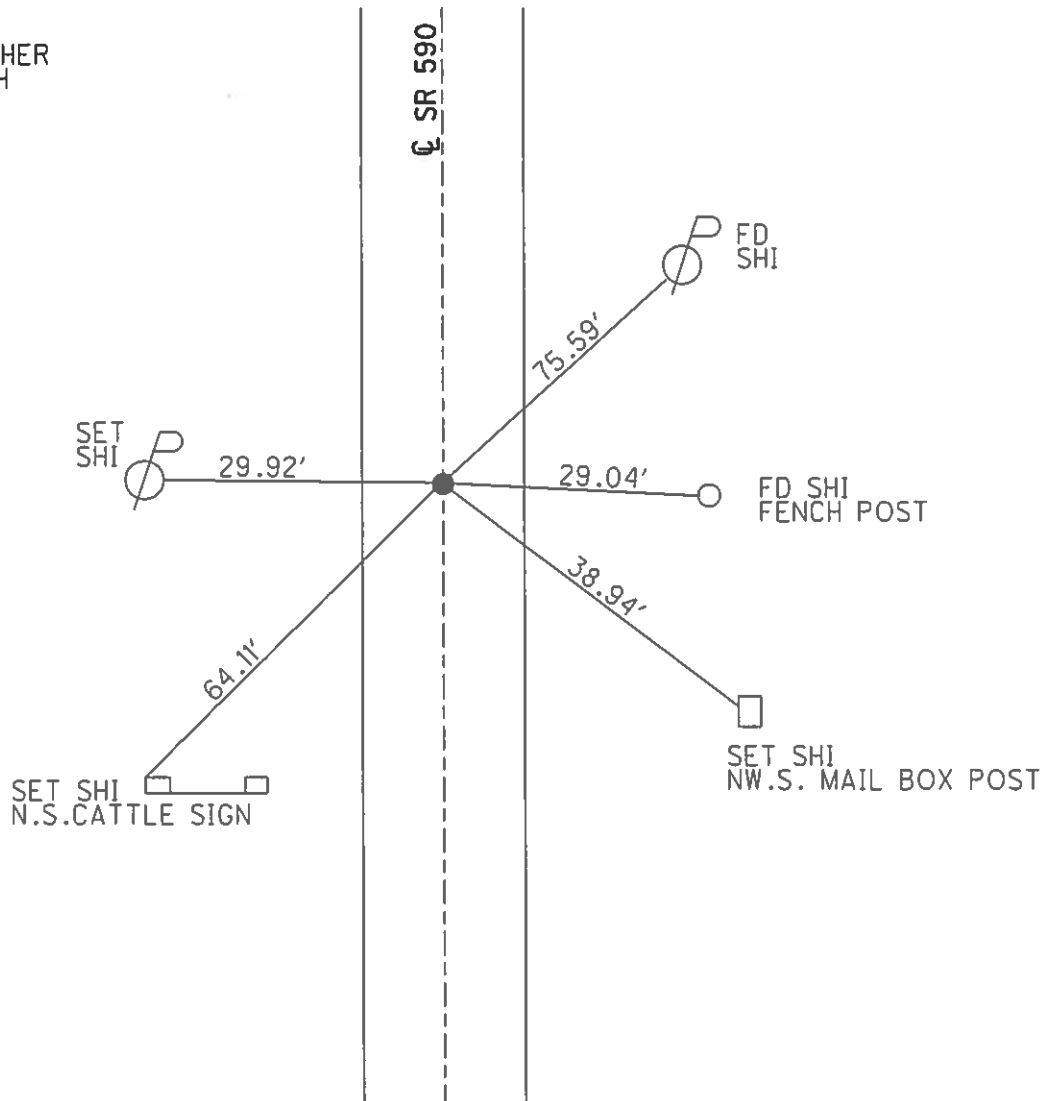
PERSONNEL _____ REFERENCE NO. 15 SHEET 13 OF 30
 NOTES HUSS DATE 1/27/06 ROUTE SR 590
 H.C. RYAN N WEATHER CLEAR COUNTY OTTAWA
 R.C. RYAN H TEMP. 31° TOWNSHIP HARRIS
 _____ SECTION 3
 _____ T 6 N R 14 E

TYPE MONUMENT P.K./WASHER
 ON SURFACE - ~~BELOW~~ ON
 LEFT - Q PAV'T - ~~RIGHT~~ 4.6'
5.1' TO LT. EDGE PAVEMENT
 S.L.M. 160+33.2



GRID: NORTHING: 669462.347 EASTING: 1770703.159

RECORD:
 SET MAG/WASHER
 6/09/09, SAH
 GPS SV115,
 8/11/08



O.D.O.T. DISTRICT 2 SURVEY OFFICE (Use Only)

PERSONNEL _____

REFERENCE NO. 15

SHEET 11 OF 12

NOTES HUSS

DATE 01-27-06

ROUTE S.R. 590

H.C. RYAN N

WEATHER CLEAR/FAIR

COUNTY OTTAWA

R.C. RYAN H

TEMP. +31 F.

TOWNSHIP HARRIS

SECTION 2,3,10,11

T 6 N R 14 E

TYPE MONUMENT P.K. NAIL & WASHER

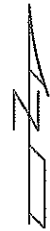
ON SURFACE - ~~BELOW~~ BELOW SURFACE

LEFT - C PAV'T - ~~RIGHT~~ 4.6' LT

5.1' TO WEST EDGE PAVEMENT

S.L.M. 160+33.2

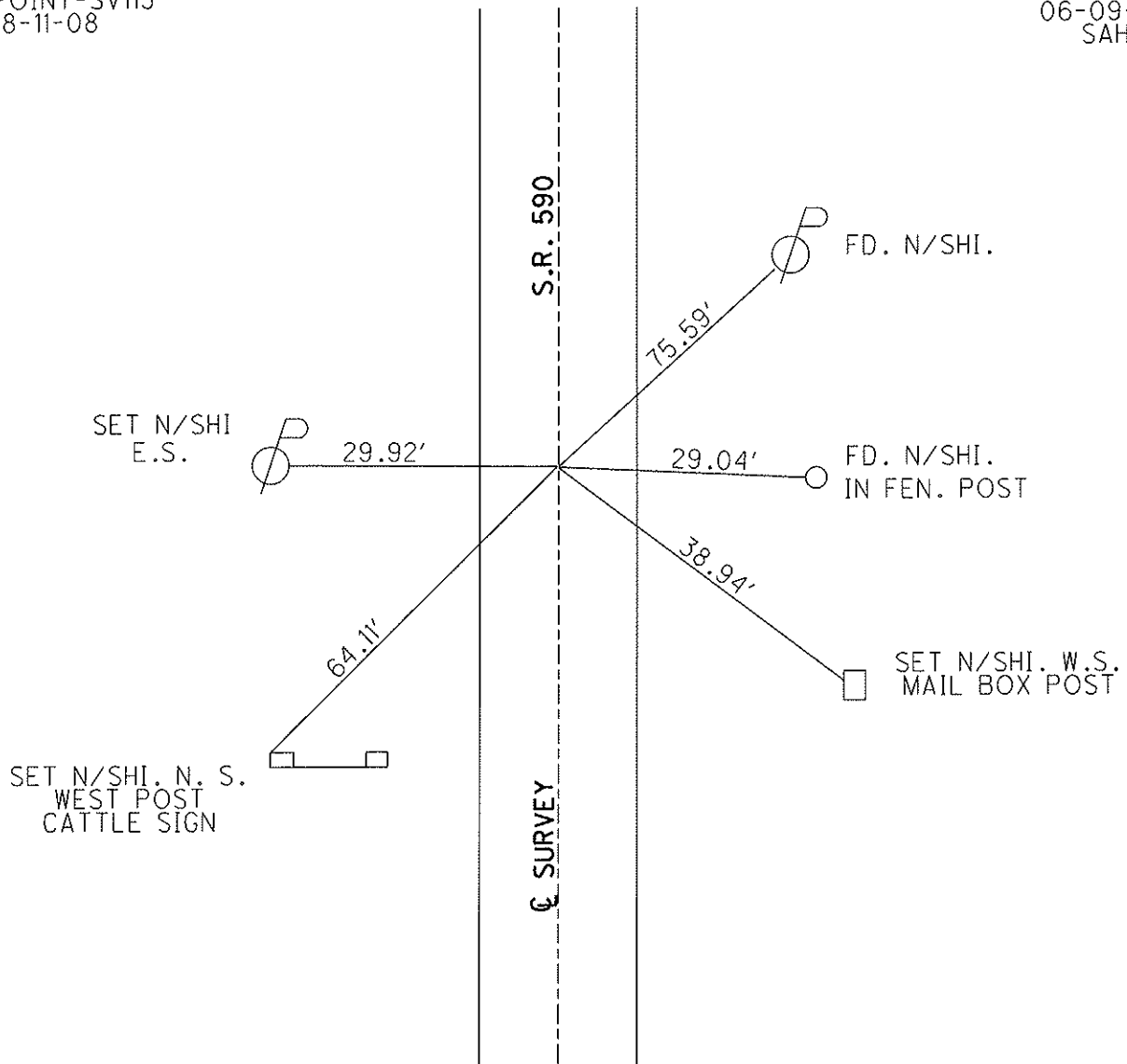
3	2
10	11



GRID: Northing: 669462.347 Easting: 1770703.159

GPS POINT-SV115
08-11-08

SET MAG/W.
06-09-09
SAH



O.D.O.T. DISTRICT 2 SURVEY OFFICE

PERSONNEL

REFERENCE NO. 15

SHEET 11 OF 12

NOTES Cheney

H.C. BARBOUR

R.C. RIPPLE

DATE 11/14/91

WEATHER Sunny

TEMP. 55°

ROUTE SR#590

COUNTY OTTAWA

TOWNSHIP HARRIS

SECTION 3, 2, 10, & 11

T 6 N R 14 E

TYPE MONUMENT SET PK. NAIL & WASHER

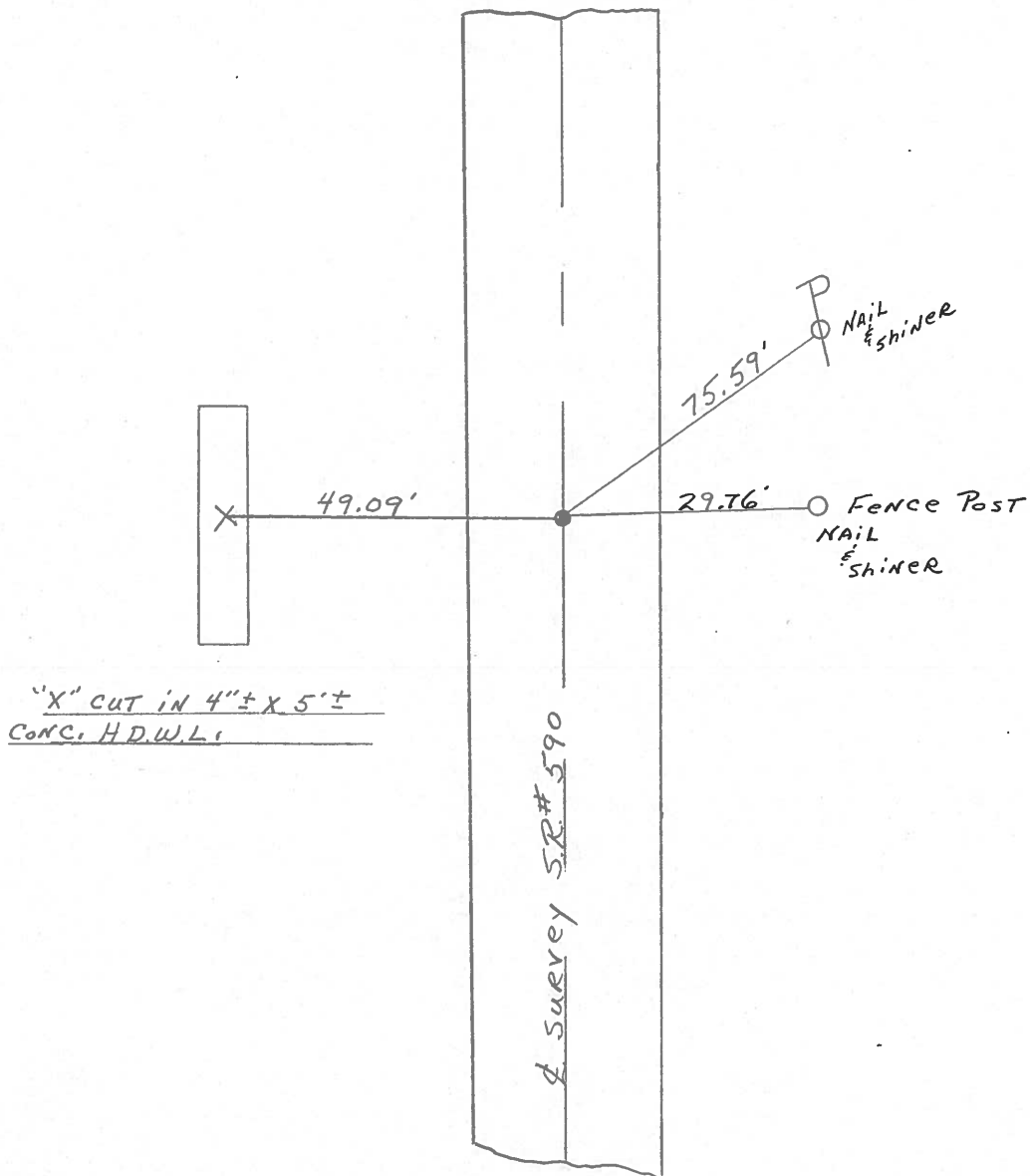
ON SURFACE - ~~BELOW~~

LEFT- & PAV'T. - ~~RIGHT~~ 4.5'

5.5' TO WEST EDGE PAVEMENT

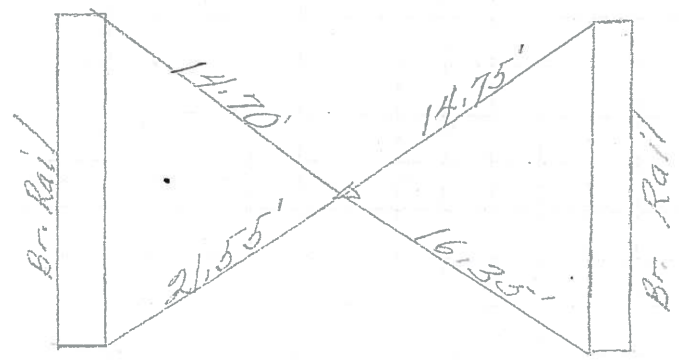
S.L.M. 159+20

3	2
10	11



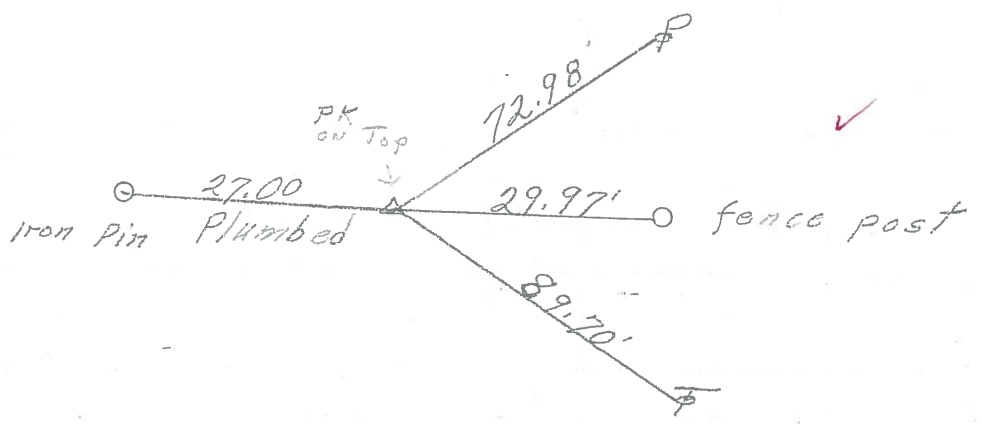
PERSONNEL	TITLE	PERSONNEL	TITLE
_____	_____	_____	_____
COUNTY <u>Ottawa</u> DATE <u>7-26-71</u>			
S. R. <u>590</u> WEATHER <u>Rain</u>			
SEC. <u>3E2-10E11</u> TEMP. <u>75°</u>			
DESCRIPTION <u>Between S.R. #105 and S.R. #163 Harris Twp.</u> JOB NO. _____			
LEFT		RIGHT	

P. I.
85+
P. K. Nail
Br. # 03,53

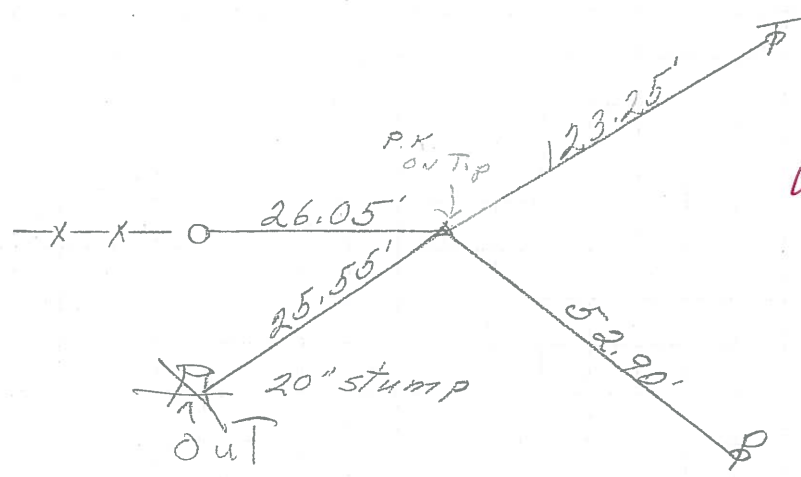


16

Fd iron pin
on surface
0.5 mi. from
LAST P.I. 15.



P. I.
Fd. R.R. Spk.
3" down
0.1 mi. from
S.R. 105

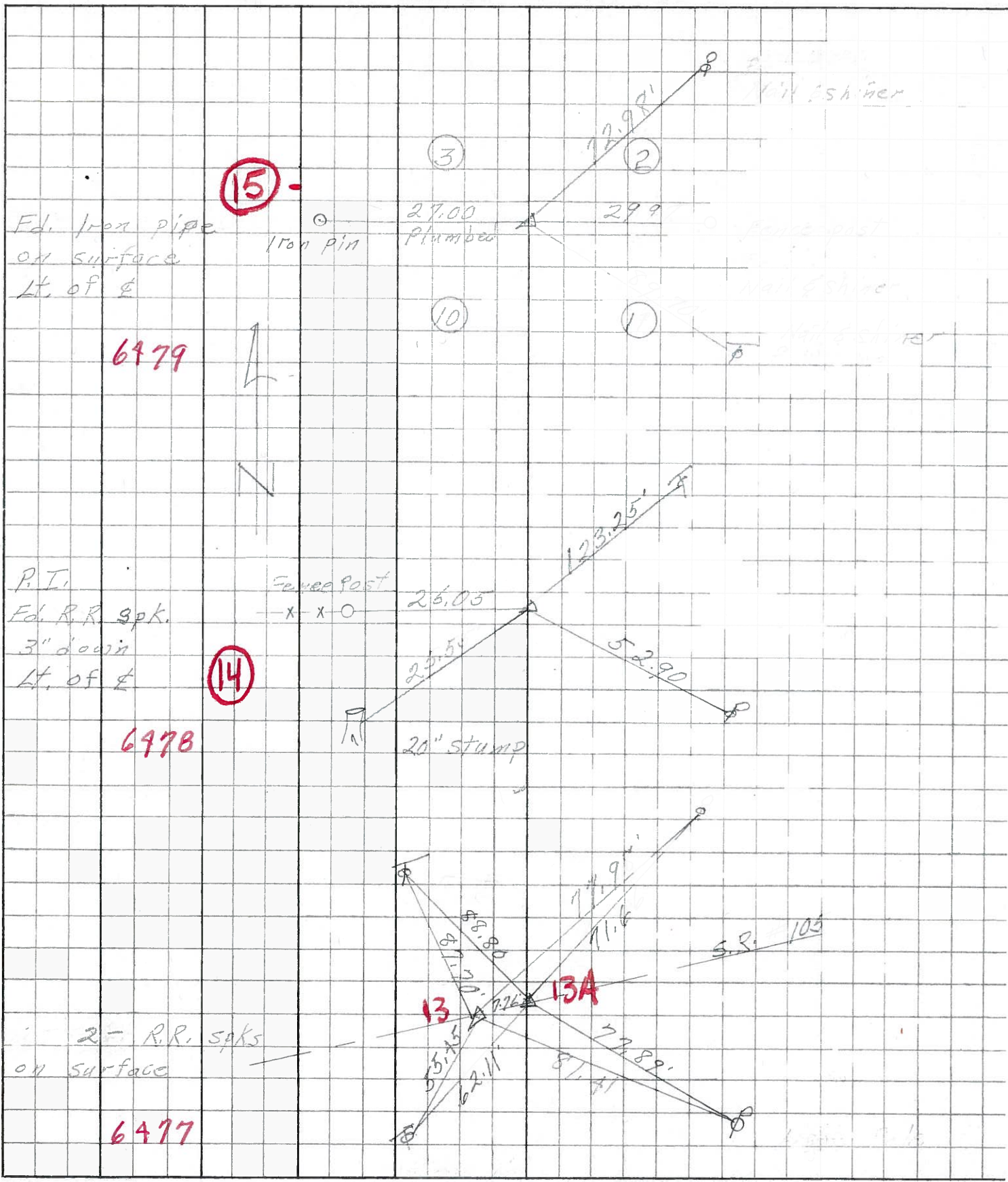


14

PERSONNEL	TITLE	PERSONNEL	TITLE
Schneider		Potts	
Mosser			
Barbour			
Redding			

COUNTY Ottawa DATE 4-9-68
 S. R. 590 WEATHER cloudy-windy
 SEC. San. Co. Line North TEMP. 60°

DESCRIPTION Ties for Control Points JOB NO. _____



OTT-SR 590

Harris Twp.

Sec. 11. D Tel. P. NE. 123.1' 60. 13.6
 (14) " " SE. 52.8' 54. 49.6
 F. Post. W 36.55' 564.0
 14" Locust S.W. 45.1'
 20" " S.W. 25.6'
 Maple N.W. 102.6'

Sec. 14 A. Cor. F. P. E. 22.3 Tel. P. SE. 85.6'
 (6) " " W. 29.3 " " N.E. 79.4'
 Elm Stump 28.6 Oak Stump S.W. 73.8'

2634

(5) D. Thorn Tr. N.E. 36.5 Brace pole N.E. 30'
 Apple SE. 78.1 P. Pole N.W. 33'
 Tel. P. SE. 27.8 St. High sign 66.2

(15)

Sec. 10-11-2-3 I - Post E - 30.5 Tel. P. NE. 73.4
 " N.E. - 31.8 " P. S.E. 90.1
 " N.W. - 34.5' Elm N.W. 41.0

3	2
10	11