

O.D.O.T. DISTRICT 2 SURVEY OFFICE (USE ONLY)

PERSONNEL

REFERENCE NO. 20

SHEET 20 OF 30

NOTES RHOADES

DATE 2/26/18

ROUTE SR 590

H.C. O'DONNELL

WEATHER SUNNY

COUNTY OTTAWA

R.C. RHOADES

TEMP. 41°

TOWNSHIP BENTON

DWG BY MILLER PID 101240

SECTION 27

T 7 N R 14 E

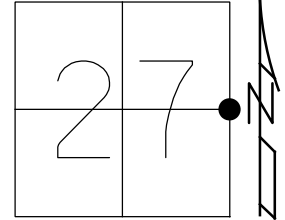
TYPE MONUMENT MAG/WASHER

ON SURFACE - ~~BELOW~~ ON

OFFSET  $\odot$  PAVEMENT 5.5' LT : ~~RT~~

- TO - EDGE PAVEMENT

STATION: 293+09



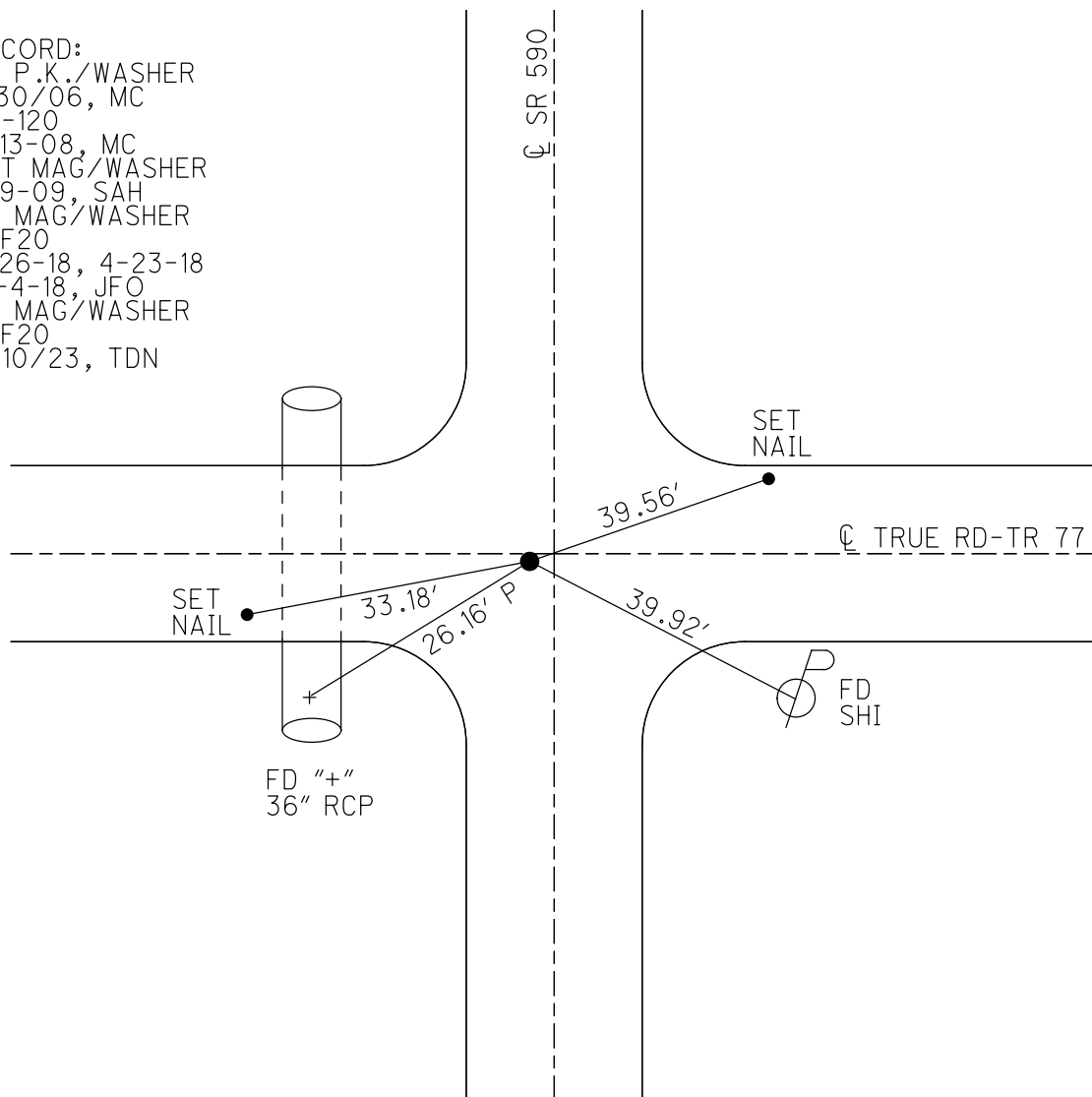
HORIZ.DATUM: NAD83-2011

GEOID: NAVD88-2012A

GRID: NORTHING: 682695.807

EASTING: 1770770.941

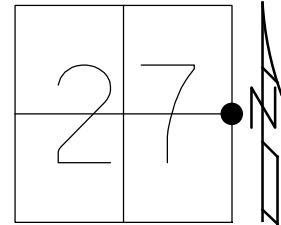
RECORD:  
 FD P.K./WASHER  
 1/30/06, MC  
 SV-120  
 8-13-08, MC  
 SET MAG/WASHER  
 6-9-09, SAH  
 FD MAG/WASHER  
 REF20  
 2-26-18, 4-23-18  
 10-4-18, JFO  
 FD MAG/WASHER  
 REF20  
 4/10/23, TDN



O.D.O.T. DISTRICT 2 SURVEY OFFICE (USE ONLY)

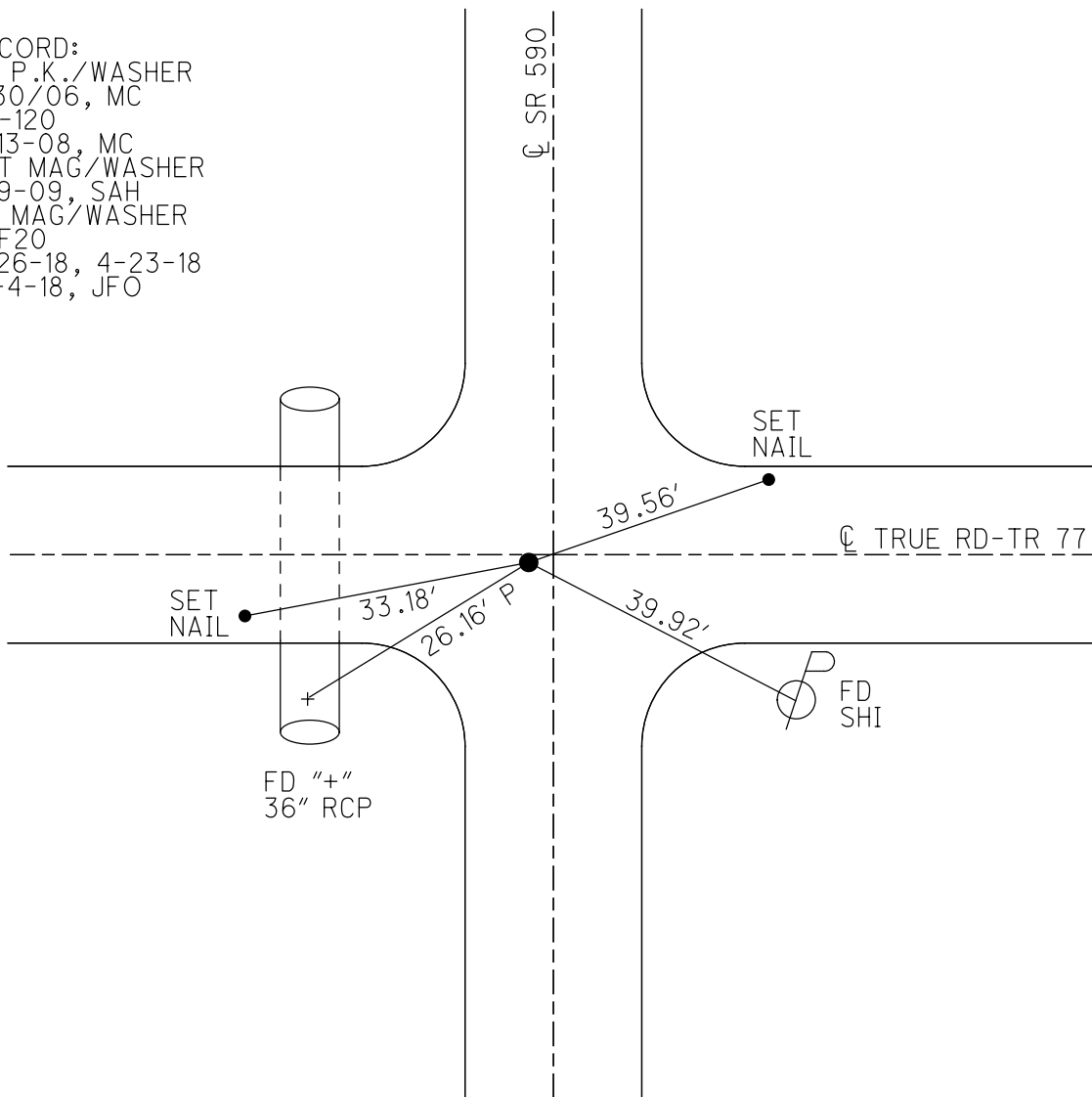
PERSONNEL \_\_\_\_\_ REFERENCE NO. 20 SHEET 20 OF 30  
 NOTES RHOADES DATE 2/26/18 ROUTE SR 590  
 H.C. O'DONNELL WEATHER SUNNY COUNTY OTTAWA  
 R.C. RHOADES TEMP. 41° TOWNSHIP BENTON  
 DWG BY MILLER PID 101240 SECTION 27  
 T 7 N R 14 E

TYPE MONUMENT MAG/WASHER  
 ON SURFACE - ~~BELOW~~ ON  
 OFFSET  $\varnothing$  PAVEMENT 5.5' LT : ~~RT~~  
- TO - EDGE PAVEMENT  
 STATION: 293+09



HORZ. DATUM: NAD83-2011 GEOID: NAVD88-2012A  
 GRID: NORTHING: 682695.815 EASTING: 1770770.981

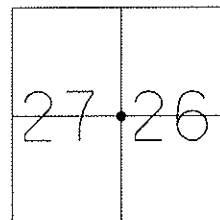
RECORD:  
 FD P.K./WASHER  
 1/30/06, MC  
 SV-120  
 8-13-08, MC  
 SET MAG/WASHER  
 6-9-09, SAH  
 FD MAG/WASHER  
 REF20  
 2-26-18, 4-23-18  
 10-4-18, JFO



O.D.O.T. DISTRICT 2 SURVEY OFFICE ( Use Only )

PERSONNEL \_\_\_\_\_ REFERENCE NO. 20 SHEET \_\_\_\_\_ OF \_\_\_\_\_  
 NOTES HUSS DATE 1-30-06 ROUTE S.R. 590  
 H.C. RYAN N WEATHER CLEAR/ COLD COUNTY OTTAWA  
 R.C. RYAN H TEMP. +40 TOWNSHIP BENTON  
 \_\_\_\_\_ SECTION 26 & 27  
 \_\_\_\_\_ T 7 N R 14 E

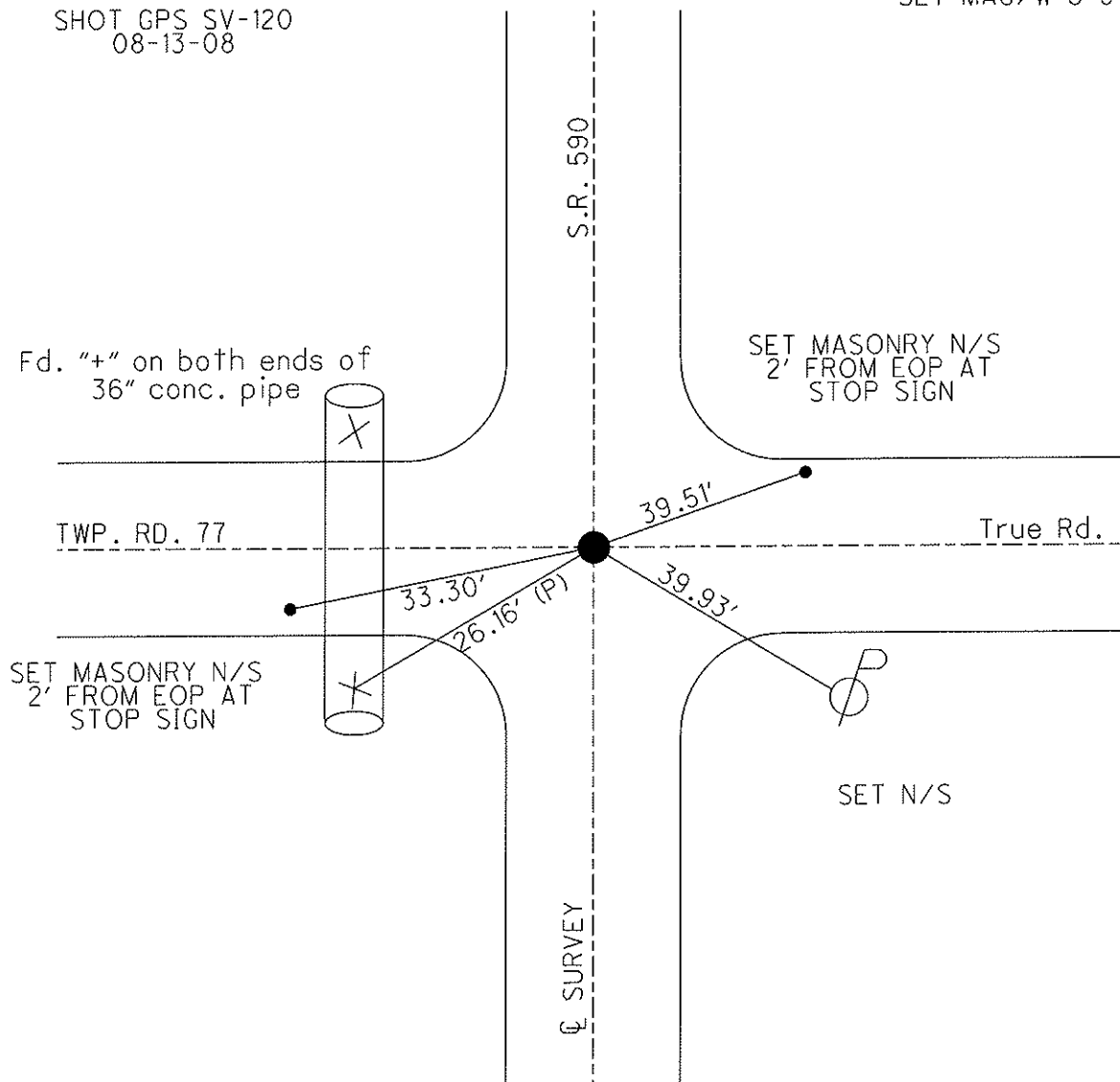
TYPE MONUMENT P.K./WASHER  
~~ON SURFACE~~ - BELOW SURFACE  
 LEFT - ☐ PAV'T - ~~RIGHT~~ 5.5' LT.  
 \_\_\_\_\_ TO \_\_\_\_\_ EDGE PAVEMENT  
 S.L.M. 293+09



GRID: Northing: 682695.806 Easting: 1770770.928

SET MAG/W 6-9-09 SAH

SHOT GPS SV-120  
08-13-08

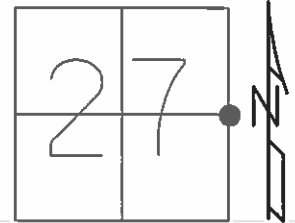


**O.D.O.T. DISTRICT 2 SURVEY OFFICE (USE ONLY)**

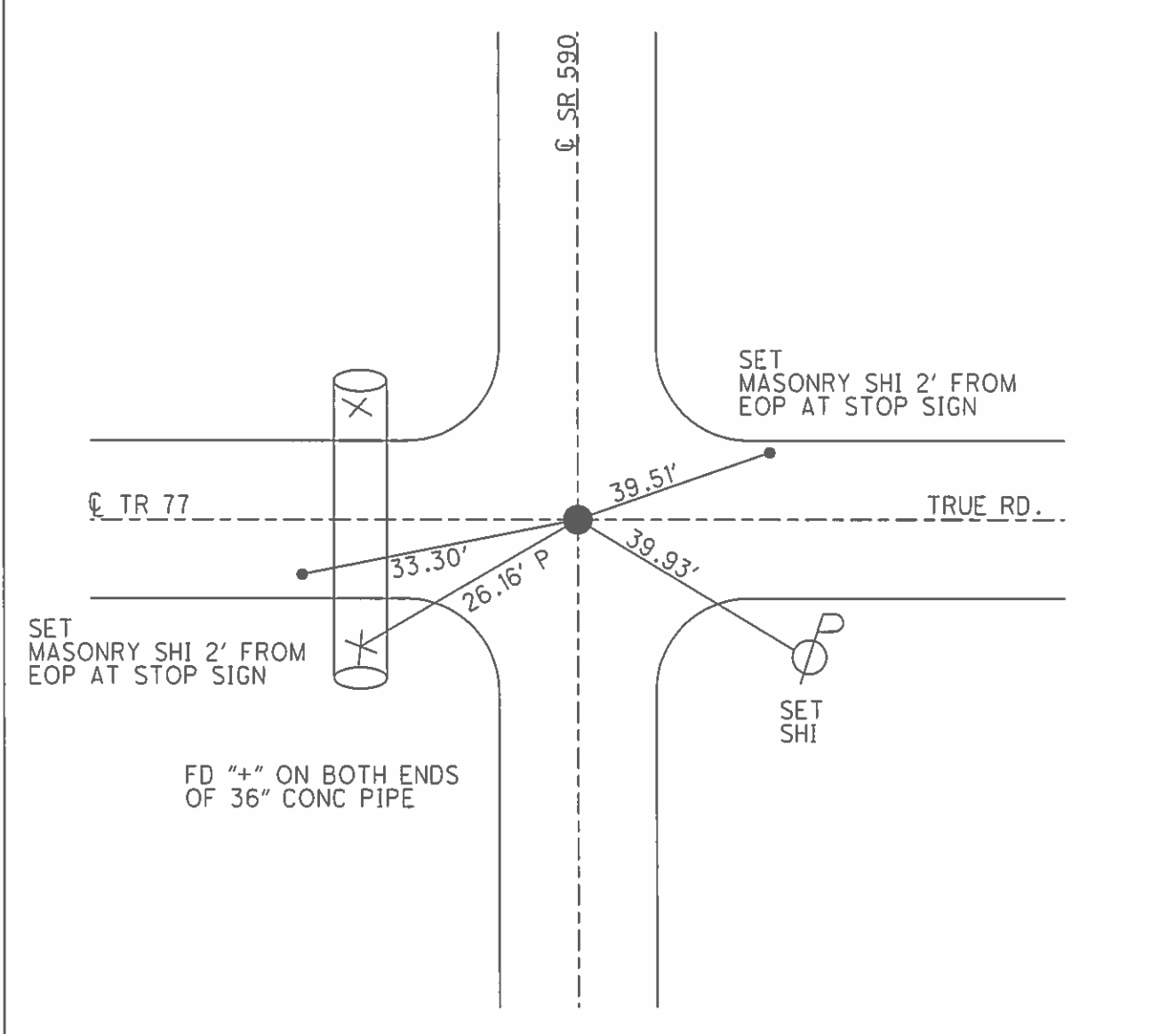
PERSONNEL \_\_\_\_\_ REFERENCE NO. 20 SHEET 20 OF 30

NOTES \_\_\_\_\_ HUSS \_\_\_\_\_ DATE 1/30/06 ROUTE SR 590  
 H.C. \_\_\_\_\_ NUHFER \_\_\_\_\_ WEATHER CLEAR COUNTY OTTAWA  
 R.C. \_\_\_\_\_ RYAN H \_\_\_\_\_ TEMP. 40° TOWNSHIP BENTON  
 \_\_\_\_\_ SECTION 27  
 \_\_\_\_\_ T 7 N R 14 E

TYPE MONUMENT \_\_\_\_\_ P.K./WASHER \_\_\_\_\_  
 ON SURFACE - BELOW \_\_\_\_\_ ON \_\_\_\_\_  
 LEFT - ☉ PAV'T - ~~RIGHT~~ 5.5' \_\_\_\_\_  
 \_\_\_\_\_ TO \_\_\_\_\_ EDGE PAVEMENT \_\_\_\_\_  
 S.L.M. \_\_\_\_\_ 293+09 \_\_\_\_\_



GRID: NORTHING: 682695.806 EASTING: 1770770.928



O.D.O.T. DISTRICT 2 SURVEY OFFICE

PERSONNEL

REFERENCE NO. 20

SHEET 3 OF 1

NOTES RIPPLE

H.C. BARBOUR

DATE 8/06/90 DRAWN 8/08/90

ROUTE SR # 590

R.C. GEYMAN

WEATHER cloudy

COUNTY OTTAWA

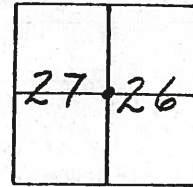
TEMP. 62°

TOWNSHIP BENTON

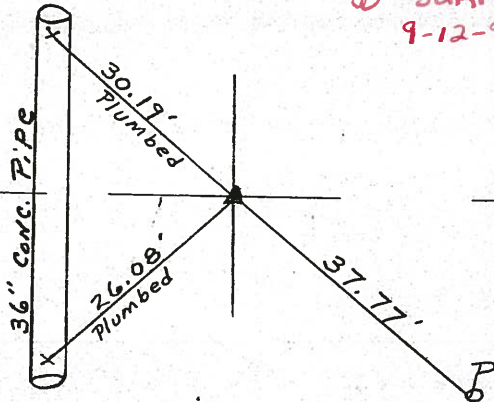
SECTION E 1/4 Post #27 W 1/4 Post #26

T 7 N R 14 E

TYPE MONUMENT Set P.K. & washer  
ON SURFACE - BELOW A Top P.K. & washer  
LEFT - ¢ PAV'T. - RIGHT 6' LT. & PAV.  
TO EDGE PAVEMENT  
S.L.M.                     



*FD PK & WASHER  
@ SURFACE  
9-12-94*



TRUE ROAD  
T.R. 77

SR # 5907

# O.D.O.T. DISTRICT 2 SURVEY OFFICE

PERSONNEL

REFERENCE NO. 20 SHEET 3 OF 1

NOTES Ripple

H.C. BARBOUR

R.C. GeyMAN

DATE 8/06/90 DRAWN 8/08/90

WEATHER Cloudy

TEMP. 62°

ROUTE SR # 590

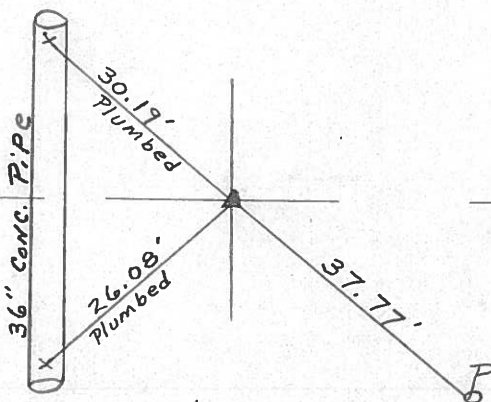
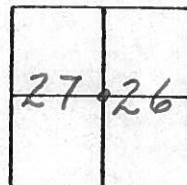
COUNTY OTTAWA

TOWNSHIP BENTON

SECTION E 1/4 Post # 27 W 1/4 Post # 26

T 7 N R 14 E

TYPE MONUMENT Set P.K. & washer  
 ON SURFACE - BELOW A Top P.K. & washer  
 LEFT - € PAV'T. - RIGHT 6' LT. & PAV.  
 \_\_\_\_\_ TO \_\_\_\_\_ EDGE PAVEMENT  
 S.L.M. \_\_\_\_\_



True Road  
T.R. 77

SR # 5907

O.D.O.T. DISTRICT 2 SURVEY OFFICE

SHEET

OF

County Ottawa S.R. #590

Township Benton

Section E 1/4 Post #27 - W 1/4 post #26

TZN, R14E

Personnel Cronin - Draw

Ripple

Geyman

Messer

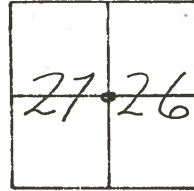
Barbour

#  
20

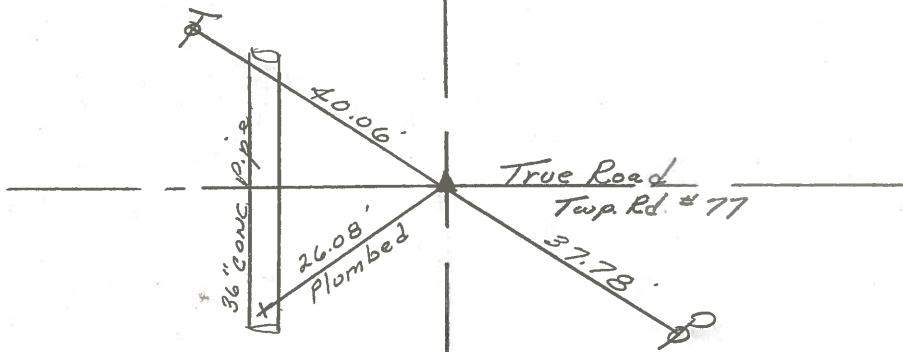
Date 7/19/82 Drawn 8/5/82

Weather sunny-humid

Temp. 85°



Set P.K. & washer  
atop P.K. & washer  
at Lt. & Pavement

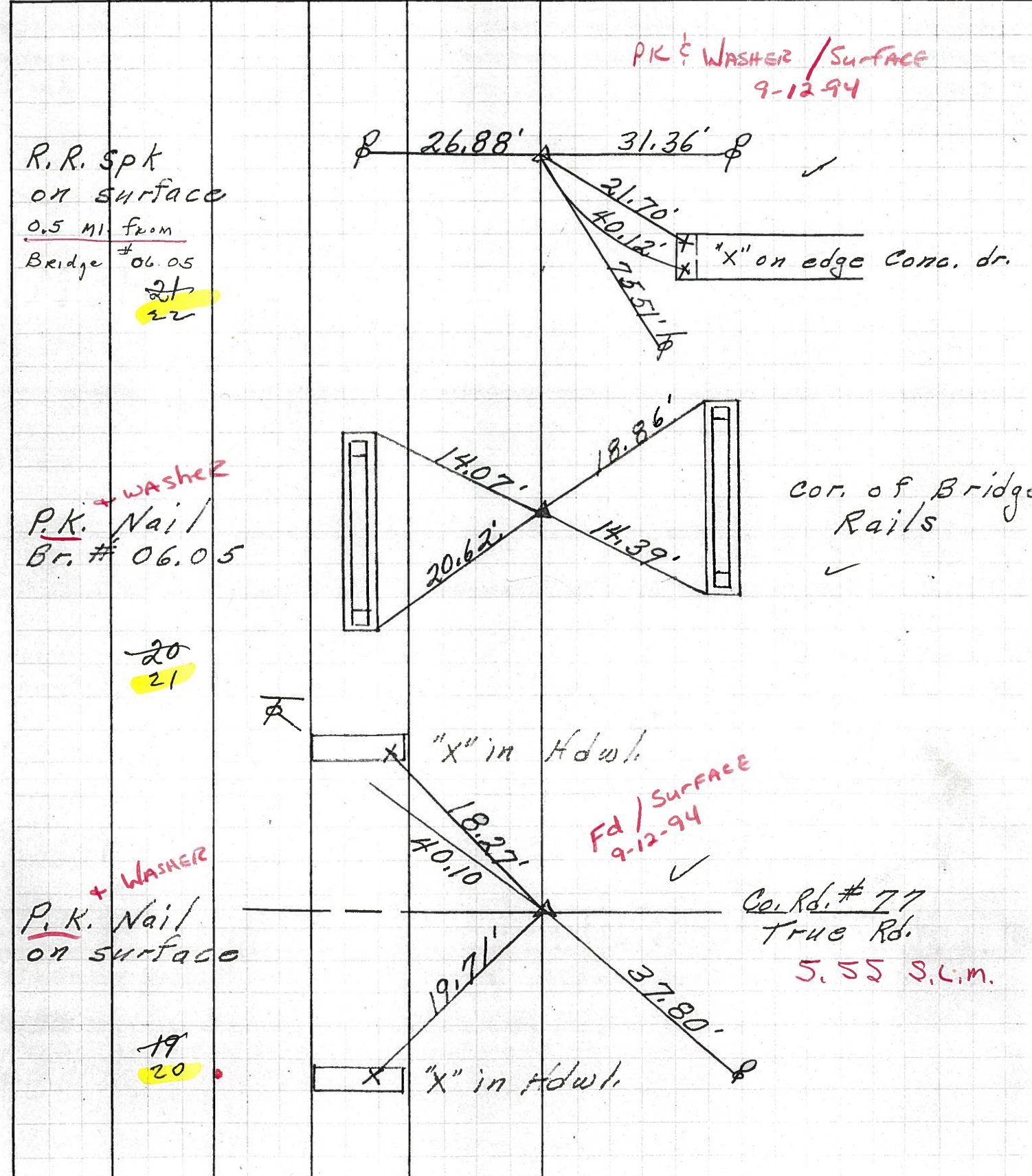


S.R. #590



PERSONNEL	TITLE	PERSONNEL	TITLE

COUNTY Ottawa DATE 7-27-71  
 S. R. 590 WEATHER Cloudy  
 SEC. 27 & 26 TEMP. 75°  
 DESCRIPTION S.R. #163 to S.R. #2 Benton Twp. JOB NO.  





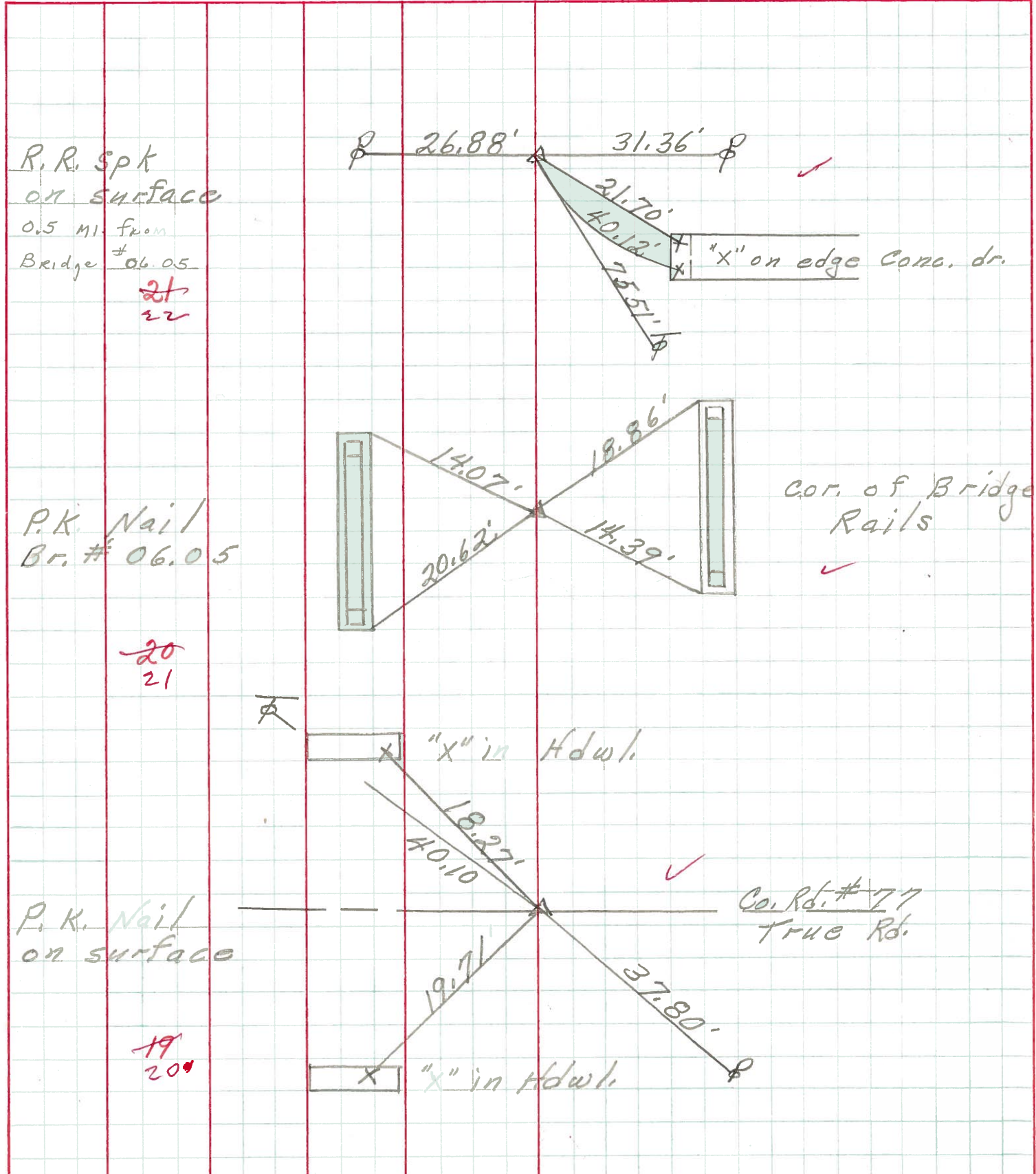
PERSONNEL TITLE PERSONNEL TITLE

COUNTY Ottawa DATE 7-27-71

S. R. 590 WEATHER Cloudy

SEC. 27 E 26 TEMP. 75°

DESCRIPTION S.R. #163 to S.R. #2 Benton Twp. JOB NO. \_\_\_\_\_



PERSONNEL TITLE PERSONNEL TITLE

Schneider \_\_\_\_\_

Mosser \_\_\_\_\_

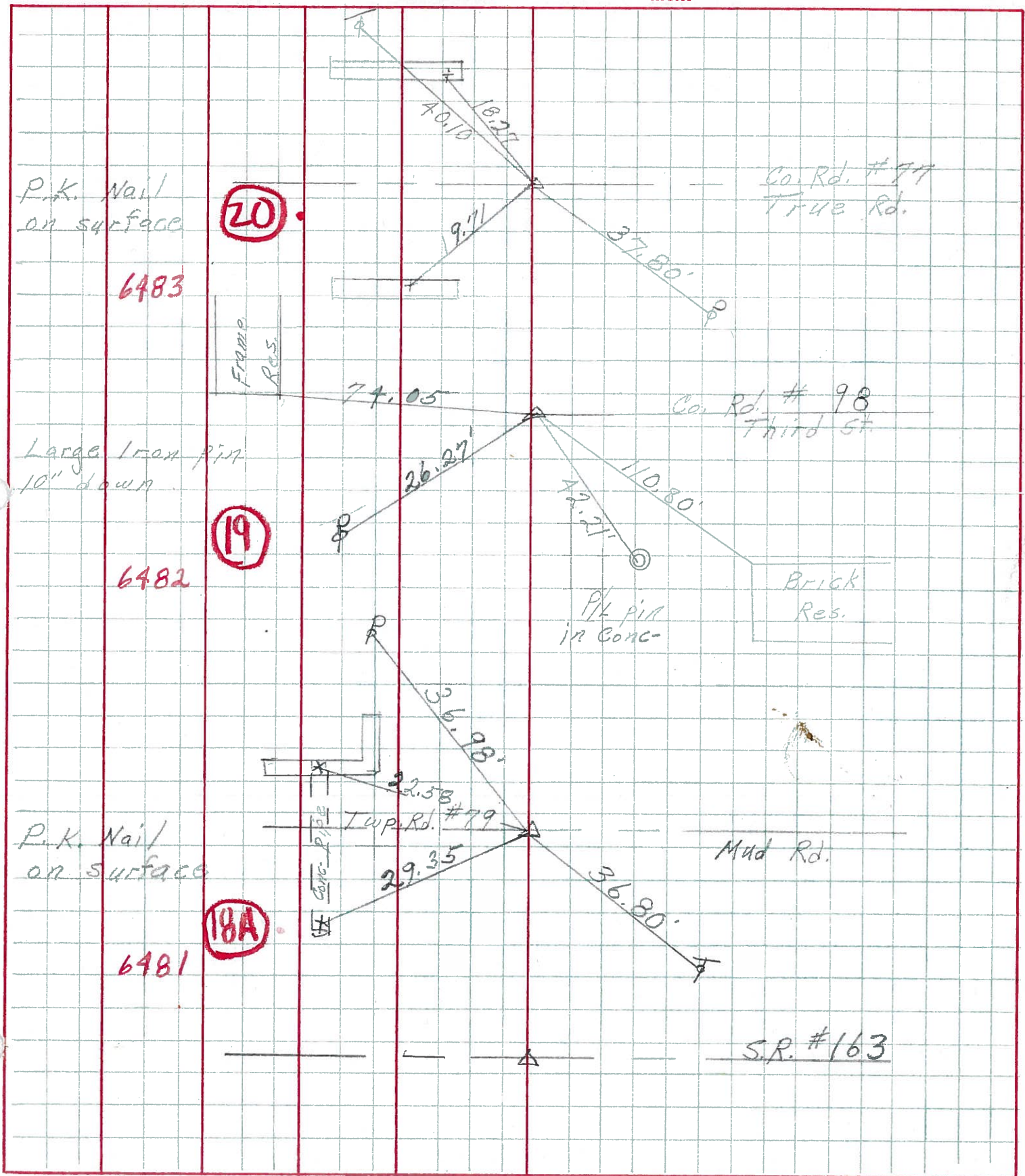
Barbour \_\_\_\_\_

COUNTY Ottawa DATE 6-21-68

S. R. 590 WEATHER cloudy - windy

SEC. S.R.#163 to S.R.#2 TEMP. 60°

DESCRIPTION Ties for Control Points LEFT CENTER LINE RIGHT JOB NO.



P.K. Nail on surface

6483

20

Large Iron pin 10" down

6482

19

P.K. Nail on surface

6481

18A

Co. Rd. #77 True Rd.

Co. Rd. #98 Third St.

Brick Res.

P.K. pin in conc.

Twp. Rd. #79

Mad Rd.

S.R. #163