

O.D.O.T. DISTRICT 2 SURVEY OFFICE (USE ONLY)

PERSONNEL

REFERENCE NO. 21

SHEET 21 OF 30

NOTES RHOADES

DATE 2/26/18

ROUTE SR 590

H.C. O'DONNELL

WEATHER SUNNY

COUNTY OTTAWA

R.C. RHOADES

TEMP. 41°

TOWNSHIP BENTON

DWG BY MILLER PID 101240

SECTION 22

T 7 N R 14 E

TYPE MONUMENT MAG/WASHER

ON SURFACE - ~~BELOW~~ ON

OFFSET Q PAVEMENT 1' LT : ~~RT~~

8.7' TO LT EDGE PAVEMENT

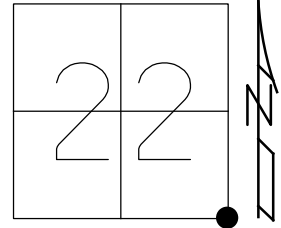
STATION: 319+72

HORZ. DATUM: NAD83-2011

GEOID: NAVD88-2012A

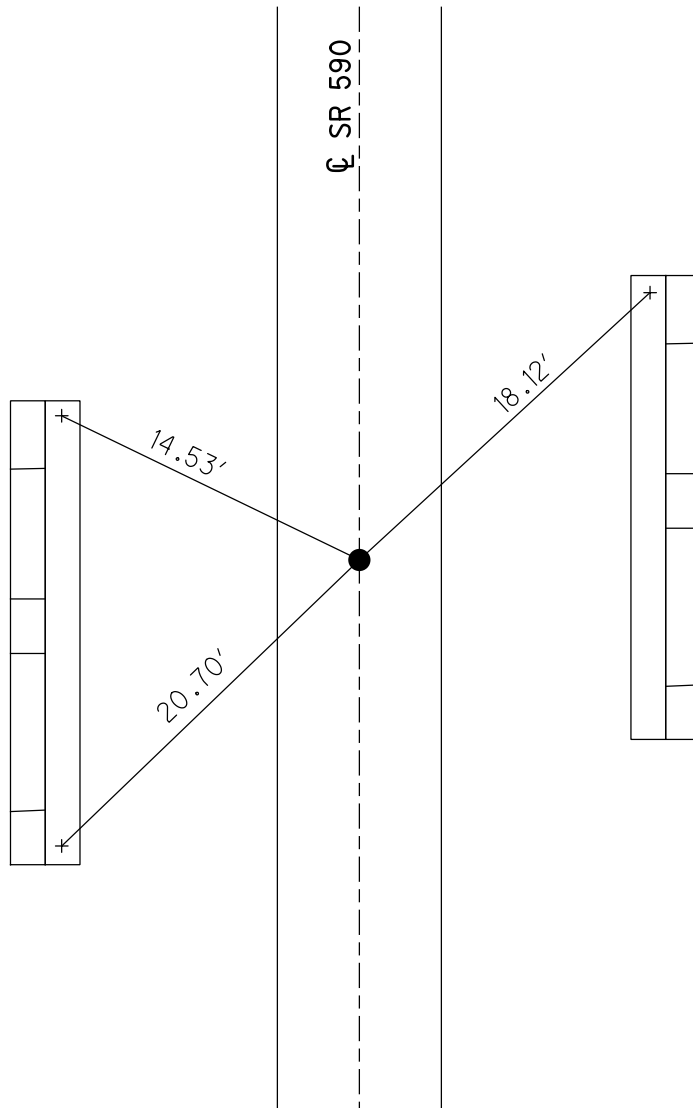
GRID: NORTHING: 685349.138

EASTING: 1770795.060



RECORD:  
 FD P.K./WASHER  
 7/9/08  
 SV121  
 8/13/08, MC  
 SET MAG/WASHER  
 6/09/09, SAH  
 FD MAG/WASHER  
 2-26-18, 4-23-18  
 10-4-18, JFO  
 FD MAG/WASHER  
 REF21  
 4/10/23, TDN

FD CUT "X"s  
 ON TOP  
 OF WALLS

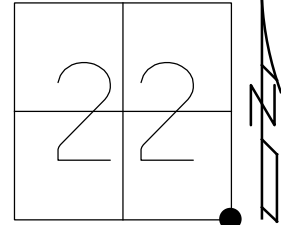


BRIDGE  
 OTT 590-0605

O.D.O.T. DISTRICT 2 SURVEY OFFICE (USE ONLY)

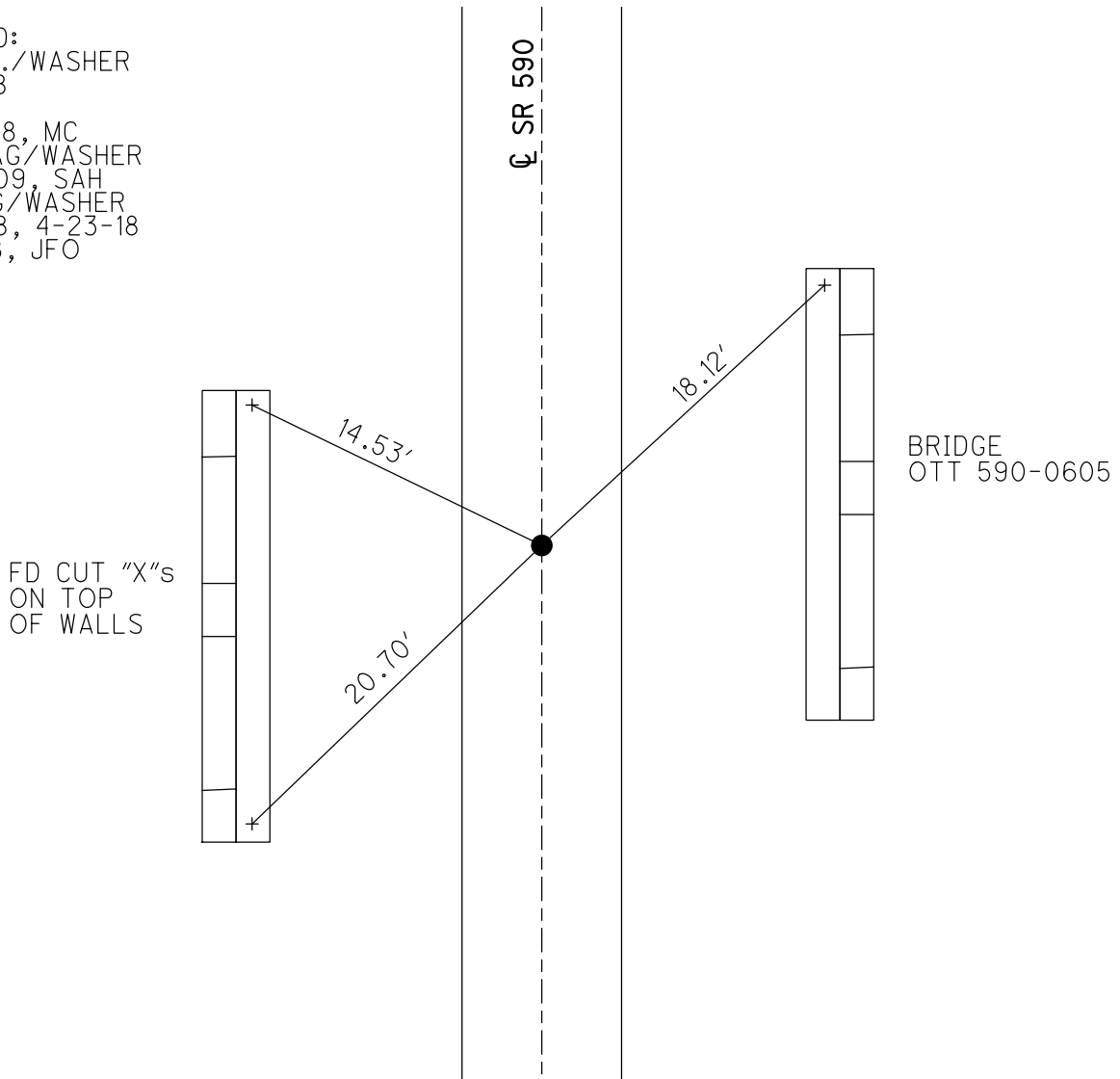
PERSONNEL \_\_\_\_\_ REFERENCE NO. 21 SHEET 21 OF 30  
 NOTES RHOADES DATE 2/26/18 ROUTE SR 590  
 H.C. O'DONNELL WEATHER SUNNY COUNTY OTTAWA  
 R.C. RHOADES TEMP. 41° TOWNSHIP BENTON  
 DWG BY MILLER PID 101240 SECTION 22  
 T 7 N R 14 E

TYPE MONUMENT MAG/WASHER  
 ON SURFACE - ~~BELOW~~ ON  
 OFFSET ☐ PAVEMENT 1' LT : ~~RT~~  
8.7' TO LT EDGE PAVEMENT  
 STATION: 319+72



HORZ. DATUM: NAD83-2011 GEOID: NAVD88-2012A  
 GRID: NORTHING: 685349.156 EASTING: 1770795.052

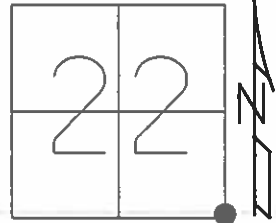
RECORD:  
 FD P.K./WASHER  
 7/9/08  
 SV121  
 8/13/08, MC  
 SET MAG/WASHER  
 6/09/09, SAH  
 FD MAG/WASHER  
 2-26-18, 4-23-18  
 10-4-18, JFO



**O.D.O.T. DISTRICT 2 SURVEY OFFICE (USE ONLY)**

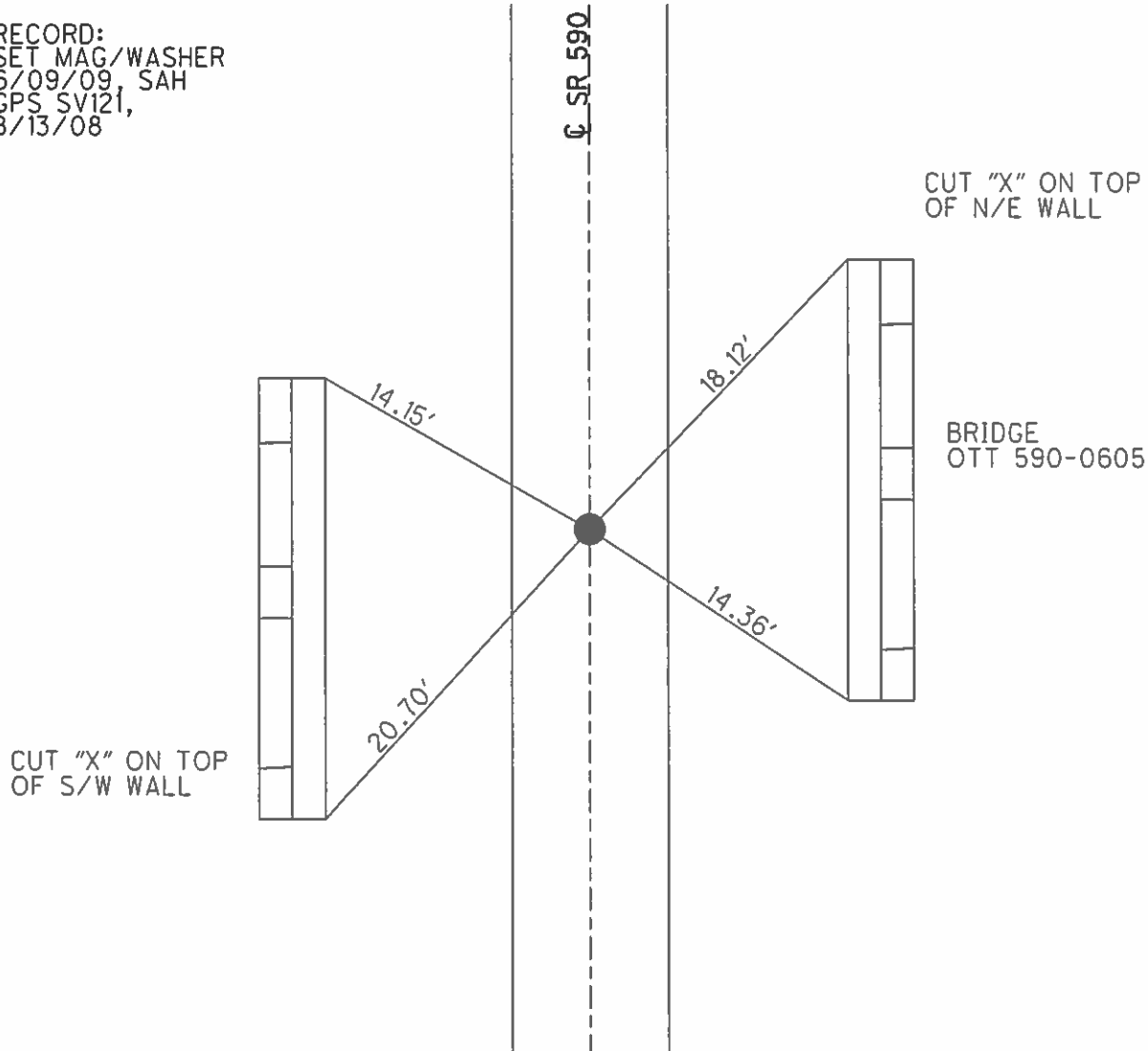
PERSONNEL \_\_\_\_\_ REFERENCE NO. 21 SHEET 21 OF 30  
 NOTES CANTERBURY DATE 7/9/08 ROUTE SR 590  
 H.C. HUSS WEATHER FAIR COUNTY OTTAWA  
 R.C. CANTERBURY TEMP. 80° TOWNSHIP BENTON  
 \_\_\_\_\_ SECTION 22  
 \_\_\_\_\_ T 7 N R 14 E

TYPE MONUMENT P.K./WASHER  
 ON SURFACE - ~~BELOW~~ ON  
 LEFT - Q PAV'T - ~~RIGHT~~ 1'  
8.7' TO LT EDGE PAVEMENT  
 S.L.M. 319+72



GRID: NORTHING: 685349.100 EASTING: 1770795.051

RECORD:  
 SET MAG/WASHER  
 6/09/09 SAH  
 GPS SV121,  
 8/13/08



O.D.O.T. DISTRICT 2 SURVEY OFFICE ( Use Only )

PERSONNEL \_\_\_\_\_

REFERENCE NO. 21

SHEET \_\_\_\_\_ OF \_\_\_\_\_

NOTES CANTERBURY

DATE 7-9-08

ROUTE S.R. 590

H.C. HUSS

WEATHER Fair

COUNTY OTTAWA

R.C. CANTERBURY

TEMP. +80 F

TOWNSHIP BENTON

SECTION 22, 23, 26, 27

T 7 N R 14 E

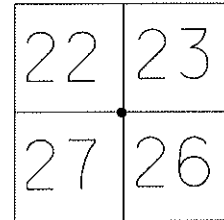
TYPE MONUMENT P.K./WASHER

ON SURFACE - ~~BELOW~~ Surface

LEFT - C PAV'T - ~~RIGHT~~ 1' LT

8.7' TO LT EDGE PAVEMENT

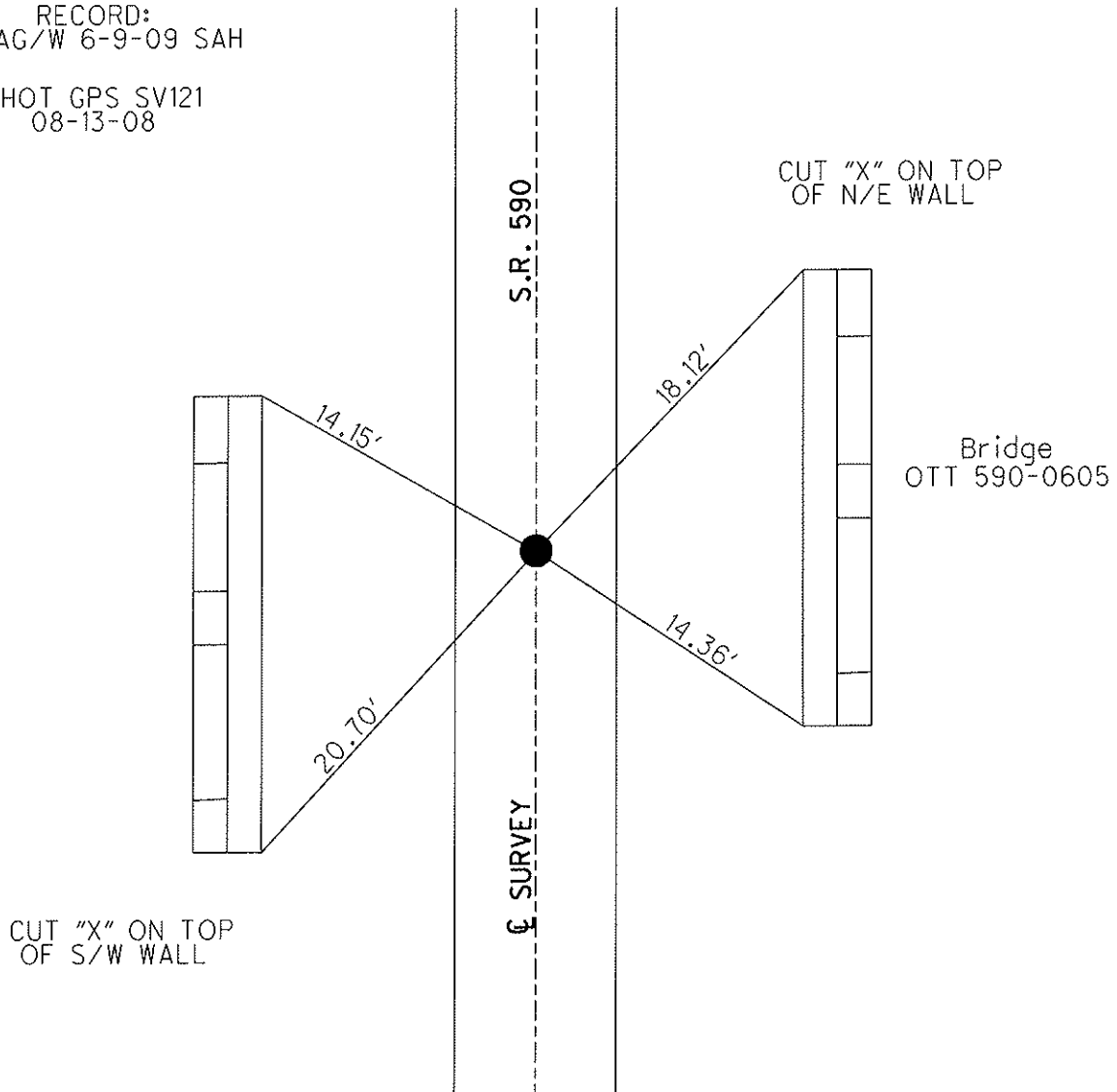
S.L.M. 319+72



GRID: Northing: 685349.100 Easting: 1770795.051

RECORD:  
SET MAG/W 6-9-09 SAH

SHOT GPS SV121  
08-13-08



O.D.O.T. DISTRICT 2 SURVEY OFFICE

PERSONNEL

REFERENCE NO. 21

SHEET 4 OF 1

NOTES Ripple

H.C. BARBOUR

DATE 8/06/90 DRAWN 8/08/90

ROUTE SR #590

R.C. Geyman

WEATHER Cloudy

COUNTY OTAWA

TEMP. 62°

TOWNSHIP BENTON

SECTION 22, 23, 26, & 27

T 7 N R 14 E

TYPE MONUMENT Set P.K. & Washer

ON SURFACE - BELOW P.K. & Washer

LEFT - to Pav't. - RIGHT to Lt. & Pvt.

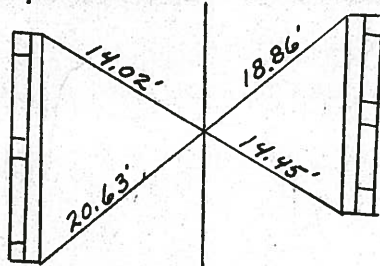
to EDGE PAVEMENT

S.L.M.                     

|    |    |
|----|----|
| 22 | 23 |
| 27 | 26 |



*FD P.K. & WASHER  
SURFACE  
9-12-94*



Bridge  
OTT. 590 - 0605

SR #590

# O.D.O.T. DISTRICT 2 SURVEY OFFICE

PERSONNEL

REFERENCE NO. 21

SHEET 4 OF 1

NOTES RIPPLE

H.C. BARBOUR

DATE 8/06/90 DRAWN 8/08/90

ROUTE SR #590

R.C. GEYMAN

WEATHER Cloudy

COUNTY OTAWA

TEMP. 62°

TOWNSHIP BENTON

SECTION 22, 23, 26, & 27

T 7 N R 14 E

TYPE MONUMENT SET P.K. & WASHER

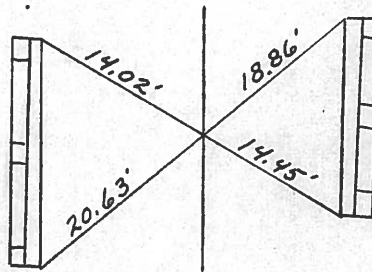
ON SURFACE - BELOW P.K. & WASHER

LEFT - CL PAV'T. - RIGHT 1.0' LT. & PVT.

     TO      EDGE PAVEMENT

S.L.M.     

|    |    |
|----|----|
| 22 | 23 |
| 27 | 26 |



Bridge  
OTT. 590-0605

d. SR #590

County Ottawa S.R. #590

Township Benton

Section 22, 23, 26 & 27

T2N, R14E

Personnel Cronin - Draw

Ripple

Geyman

Mosser

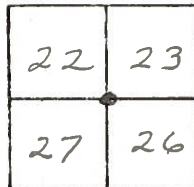
Barbour

#  
**21**

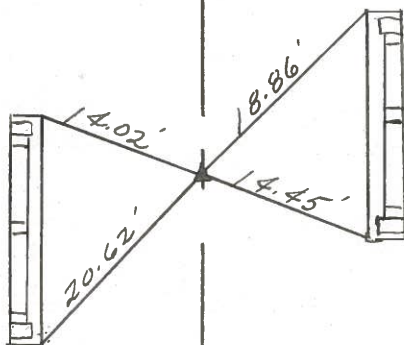
Date 7/19/82 Drawn 8/5/82

Weather sunny - humid

Temp. 85°



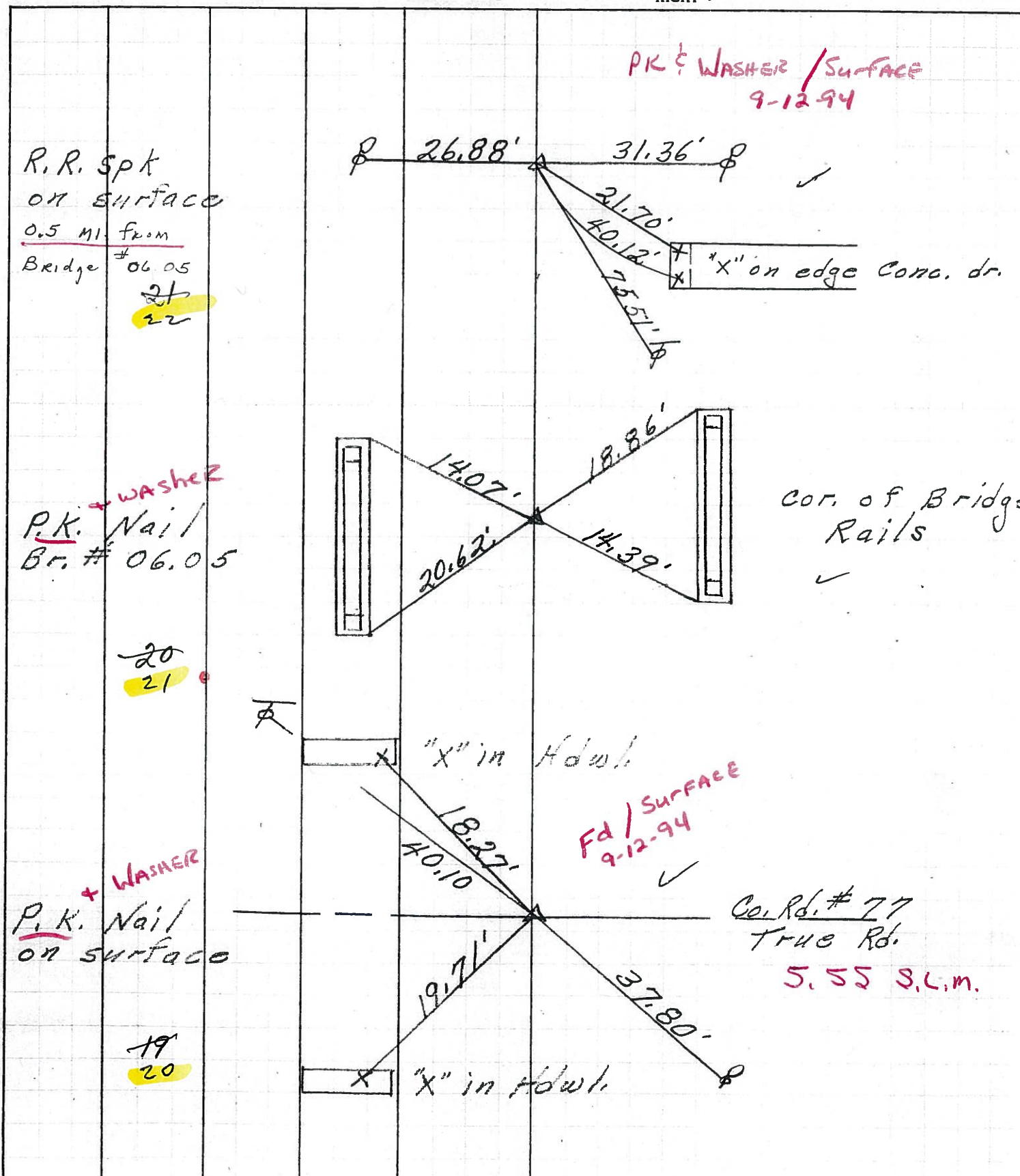
set P.K. & Washer atop  
P.K. & washer. 1.0'  
Lt. & Pavement



Bridge  
 ott 590-0605

⊗ S.R. #590

| PERSONNEL   | TITLE | PERSONNEL             | TITLE |
|---|-------|-----------------------|-------|
| _____   | _____ | _____                 | _____ |
| COUNTY <u>Ottawa</u>  |       | DATE <u>7-27-71</u>   |       |
| S. R. <u>590</u>  |       | WEATHER <u>Cloudy</u> |       |
| SEC. <u>27 &amp; 26</u>   |       | TEMP. <u>75°</u>      |       |
| DESCRIPTION <u>S.R. #163 to S.R. #2 Benton Twp.</u> JOB NO. _____ |       |                       |       |



R.R. Spk  
on surface  
0.5 mi. from  
Bridge #06.05  
21  
22

PK & WASHER / SURFACE  
9-12-94

PK. ~~+~~ WASHER  
Nail  
Br. # 06.05  
20  
21

Cor. of Bridge  
Rails

PK. ~~+~~ WASHER  
Nail  
on surface  
19  
20

Fd / SURFACE  
9-12-94

Co. Rd. # 77  
True Rd.  
5.55 S.L.M.



PERSONNEL TITLE PERSONNEL TITLE

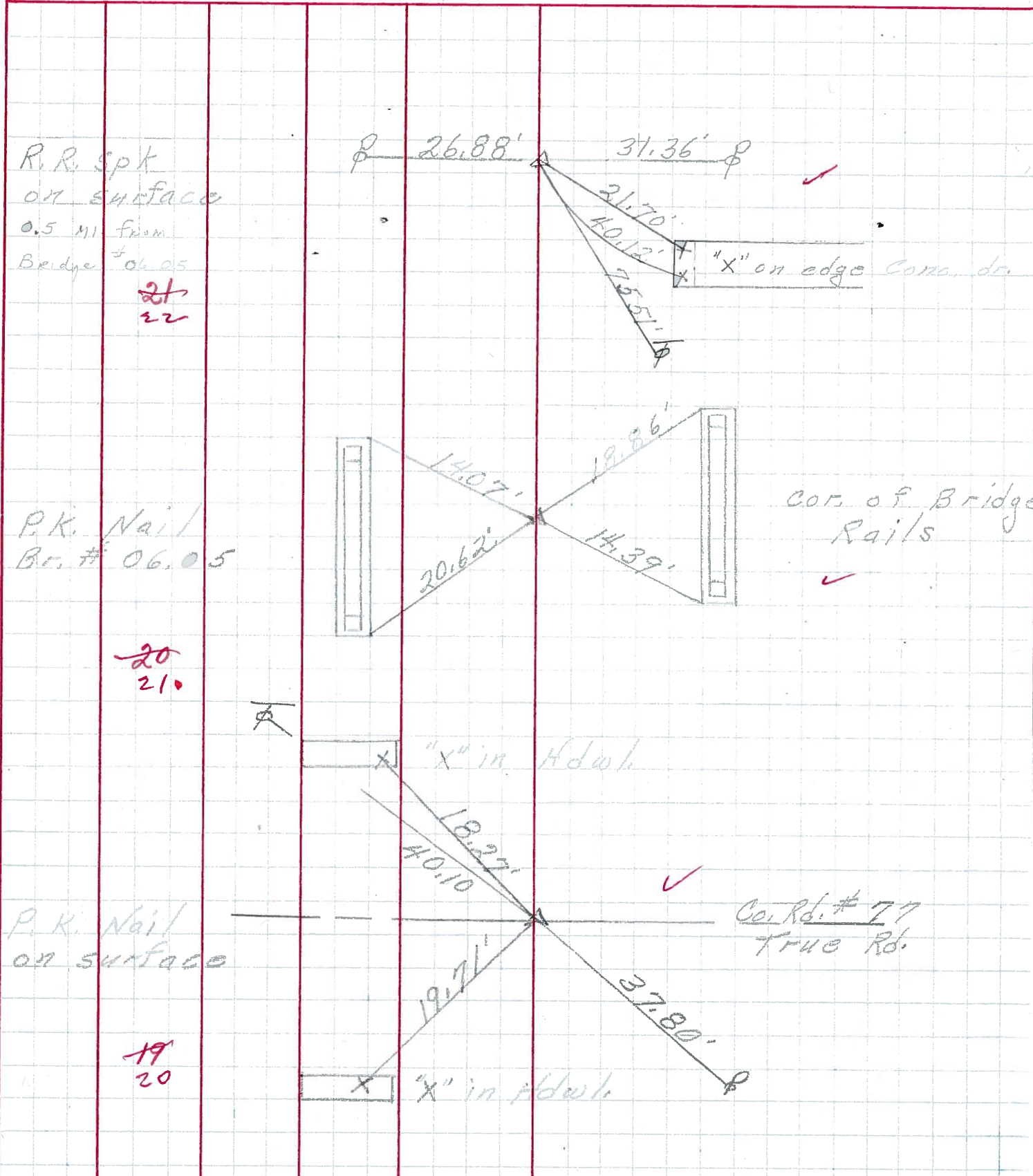
COUNTY Ottawa DATE 7-27-71

S. R. 590 WEATHER Cloudy

SEC. 27 E 26 TEMP. 75°

DESCRIPTION S.R. #163 to S.R. #2 Benton TWP. JOB NO. \_\_\_\_\_

LEFT CENTER LINE RIGHT



PERSONNEL TITLE PERSONNEL TITLE

Schneider  
 Mosser  
 Barbour

COUNTY Ottawa DATE 6-21-68

S. R. 590 WEATHER Cloudy-Windy

SEC. S.R.#163 to S.R.#2 TEMP. 75°

DESCRIPTION Ties for Control Points JOB NO. \_\_\_\_\_

LEFT CENTER LINE RIGHT

